



RFQ CCC-054
Drinking Fountain Upgrade

Project
Contract Documents
Division 00 and Division 01

Compton Community College District

RFQ CCC-054 Drinking Fountain Upgrade

Table of Contents

1. Division 00 – Contract Documents

00 01 00	Table of Contents
00 11 13	Notice Calling for Bids
00 21 13	Instructions for Bidders
00 41 00	Bid Proposal
00 43 24	Pre-Bid Inquiry Form
00 43 36	Subcontractors List
00 45 10	Verification of Contractor & Subcontractor DIR Registration
00 45 13	Statement of Qualifications
00 45 19	Non-Collusion Affidavit
00 45 26	Certificate of Workers Compensation Insurance
00 45 27	Drug-Free Workplace Certification
00 52 00	Agreement
00 61 00	Bid Bond
00 61 13	Performance Bond
00 61 14	Labor and Material Payment Bond
00 62 90	Verification of Certified Payroll Records Submittal to Labor Commissioner
00 65 36	Guarantee Form
00 65 37	Contractor Certification of Subcontractor Claims
00 72 00	General Conditions
00 73 00	Special Conditions

2. Division 01 – Project Procedures

01 01 00	Summary of Work
01 21 00	Allowances
01 23 00	Alternates
01 25 00	Contract Modification Procedures
01 29 00	Payment Procedures
01 30 40	Post Bid Interview
01 30 50	Construction Procedures Manual
01 31 00	Project Coordination
01 32 00	Acceleration of Work
01 33 00	Submittal Procedures
01 35 10	Alteration Project Procedures
01 42 00	References
01 43 80	Work Plan and Milestone Schedule
01 45 00	Quality Control
01 50 00	Temporary Facilities and Controls

01 62 00	Product Options
01 63 00	Product Substitution Procedures
01 70 00	Cleaning
01 72 20	Field Engineering
01 73 20	Cutting and Patching
01 74 00	Warranties and Guarantees
01 77 00	Closeout Procedures
01 78 20	Project Record Documents
01 78 50	Operating and Maintenance Data
01 81 00	Commissioning

COMPTON COMMUNITY COLLEGE DISTRICT**BID AND CONTRACT DOCUMENTS****RFQ CCC-054 Drinking Fountain Upgrade****TABLE OF CONTENTS**

Section Number	Document Description
00 01 00	Table of Contents
00 11 13	Notice Calling for Bids
00 21 13	Instructions for Bidders
00 41 00	Bid Proposal
00 42 13	Alternate Bid Items Proposal Form
00 43 24	Pre-Bid Inquiry Form
00 43 36	Subcontractors List
00 45 10	Verification of Contractor and Subcontractors' DIR Registration
00 45 13	Statement of Qualifications
00 45 19	Non-Collusion Affidavit
00 45 26	Certificate of Workers Compensation Insurance
00 45 27	Drug-Free Workplace Certification
00 52 00	Agreement
00 61 10	Bid Bond
00 61 13	Performance Bond
00 61 14	Labor and Material Payment Bond
00 62 90	Verification of Certified Payroll Records Submittal to Labor Commissioner
00 65 36	Guarantee Form
00 72 00	General Conditions
00 73 00	Special Conditions

[THIS PAGE INTENTIONALLY BLANK]

NOTICE TO CONTRACTORS CALLING FOR BIDS

DISTRICT	COMPTON COMMUNITY COLLEGE DISTRICT
PROJECT DESCRIPTION	RFQ CCC-054 Drinking Fountain Upgrade
MANDATORY JOB WALK	Thursday, January 10, 2019 at 2PM. Meet at the flagpole by the Administration Building
LATEST TIME/DATE FOR SUBMISSION OF BID PROPOSALS	2:00 PM Tuesday, January 29, 2019
LOCATION FOR SUBMISSION OF BID PROPOSALS	COMPTON COMMUNITY COLLEGE DISTRICT 1111 East Artesia Boulevard Compton, CA 90221 Building: <u>C-Row, Business Services Office</u> Office/Room: <u>C-34</u>
LOCATION FOR OBTAINING BID AND CONTRACT DOCUMENTS	The District's Website http://district.compton.edu/administration/businessadmin/Bid_Proposal_Requests.asp

NOTICE IS HEREBY GIVEN that the above-named California Community College District, through its Board of Trustees ("the District") will accept Bid Proposals for the Contract for **RFQ CCC-054 Drinking Fountain Upgrade** ("the Work").

1. Submittal of Bid Proposals. All Bid Proposals shall be submitted on forms furnished by the District at or prior to the date and time set forth above.
2. Bid and Contract Documents. The Bid and Contract Documents can be obtained at: http://district.compton.edu/administration/businessadmin/Bid_Proposal_Requests.asp
3. While the Bid and Contract Documents may be available through other Planrooms or sites, the District does not guarantee the authenticity or completeness of the Bid and Contract Documents obtained from such other Planrooms or sites. Bidders shall be solely responsible for reviewing the District's website and downloading any and all Project Documents and Addenda prior to bidding.
4. Documents Accompanying Bid Proposal. Each Bid Proposal shall be accompanied by: (i) the required Bid Security; (ii) Subcontractors List; (iii) Non-Collusion Affidavit; (iv) Statement of Bidder's Qualifications; and (v) Verification of Contractor and Subcontractor DIR Registration.
5. Prevailing Wage Rates. Pursuant to California Labor Code §1773, the Director of the Department of Industrial Relations of the State of California has determined the generally prevailing rates of wages in the locality in which the Work is to be performed. Copies of these determinations, entitled "PREVAILING WAGE SCALE" are available for review on the internet at http://www.dir.ca.gov/dlsr/statistics_research.html. The Contractor awarded the Contract for the Work shall post a copy of all applicable prevailing wage rates for the Work at conspicuous locations at the Site of the Work. The Contractor and all Subcontractors performing any portion of the Work shall pay not less than the applicable prevailing wage rate for the classification of labor provide by

their respective workers in prosecution and execution of the Work. During the Work and pursuant to Labor Code §1771.4(a)(4), the Department of Industrial Relations shall monitor compliance with prevailing wage rate requirements and enforce the Contractor's prevailing wage rate obligations.

6. Bidder and Subcontractors DIR Registered Contractor Status. Pursuant to and in accordance with Labor Code §1771.1, each Bidder must be a DIR Registered Contractor when submitting a Bid Proposal. The Bid Proposal of a Bidder who is not a DIR Registered Contractor when the Bid Proposal is submitted will be rejected for non-responsiveness. All Subcontractors identified in a Bidder's Subcontractors' List must be DIR Registered contractors at the time the Bid Proposal is submitted.
1. Contractors' License Classification. The District requires that Bidders possess the following classification(s) of California Contractors License at the time that the Contract for the Work is awarded C-36 – Plumbing OR B - General Building. . The Bid Proposal of a Bidder who does not possess a valid and in good standing Contractors' License in the classification(s) set forth above will be rejected for non-responsiveness. Any Bidder not duly and properly licensed is subject to all penalties imposed by law. No payment shall be made for the Work unless and until the Registrar of Contractors verifies to the District that the Bidder awarded the Contract is properly and duly licensed for the Work.
7. Contract Time. Substantial Completion of the Work shall be achieved as set forth in the Contract Documents; Liquidated Damages will be assessed for delayed Substantial Completion.
8. Bid Security. Each Bid Proposal shall be accompanied by Bid Security in an amount not less than ten percent (10%) of the maximum amount of the Bid Proposal, inclusive of any additive Alternate Bid Item(s). A Bid Proposal not accompanied by the required Bid Security is non-responsive and will be rejected by the District.
9. Alternate Bid Items. If the bidding include(s) Alternate Bid Items for which each Bidder must propose pricing for each Alternate Bid Item, the District's selection of Alternate Bid Items for determination of the lowest bid shall be as set forth in the Instructions to Bidders.
10. No Withdrawal of Bid Proposals. Bid Proposals shall not be withdrawn by any Bidder for sixty (60) days after the opening of Bid Proposals. During this time, all Bidders shall guarantee prices quoted in their respective Bid Proposals.
11. Job-Walk. The District will conduct a Mandatory Job Walk on Thursday, January 10, 2019 beginning at 2:00 PM Bidders are to meet at the flag pole just south of the Administration Building at Compton CCD Campus for the Job Walk. Parking permit is \$3.00 and permits are available at parking kiosks in the parking lots. Please plan accordingly. If the Job Walk is mandatory, the Bid Proposal submitted by a Bidder whose representative(s) did not attend the entirety of the Mandatory Job Walk will be rejected by the District as being non-responsive.
12. Pre-Bid Inquiries. Bidders may submit pre-bid inquiries or clarification requests no later than 2:00 PM on Thursday, January 17, 2019. Pre-bid inquiries or clarification requests shall be submitted only to Carol Kober at: ckober@pcm3.com **Do not submit pre-bid inquiries direct to the District.**
13. Copies of Agreement and Bonds. The number of required executed copies of the Agreement are THREE (3) The number of required executed copies of the Performance Bond and the Labor & Materials Payment are THREE (3).

14. Award of Contract; Waiver of Irregularities. The Contract, if awarded, will be by action of the District's Board of Trustees to the responsible Bidder submitting the lowest priced responsive Bid Proposal. If Alternate Bid Items are included in the bidding, the lowest priced Bid Proposal will be determined on the basis of the Base Bid Proposal or on the Base Bid Proposal and the combination of Alternate Bid Items selected in accordance with the above. The District reserves the right to reject any or all Bid Proposals or to waive any irregularities or informalities in any Bid Proposal or in the bidding.

Advertisement publication dates:

Wednesday, December 19, 2018

Wednesday, January 02, 2019

[END OF SECTION]

INSTRUCTIONS FOR BIDDERS

1. Bid Proposal. Bid Proposals not conforming to these Instructions for Bidders and the Notice to Contractors Calling for Bids (“Call for Bids”) may be deemed non-responsive and rejected.
 - 1.1. Completion of Bid Proposal. Where required, numbers shall be stated by words and figures; words; conflicts between numbers stated in words and in figures are governed by the words. Bid Proposals are non-responsive and will be rejected if: (i) partially completed; (ii) submitted on forms other than those required by the District; (iii) erasures, interlineations or other corrections are not suitably authenticated by the initials of the person(s) signing the Bid Proposal adjacent to such erasure, interlineations or correction; (iv) a Bid Proposal, or portions thereof, is/are determined by the District to be illegible, ambiguous or inconsistent.
 - 1.2. Submittal. Bid Proposals shall be submitted in sealed envelopes bearing on the outside the Bidder’s name and address along with an identification of the Work for which the Bid Proposal is submitted. A Bid Proposal is deemed submitted only if the outer envelope containing the Bid Proposal is stamped by the District’s date/time stamp machine at the location where Bid Proposals are to be submitted.
 - 1.3. Withdrawal; Modification. No oral modification or withdrawal of a submitted Bid Proposal will be considered; a written request to modify or withdraw a submitted Bid Proposal will be considered only if the written request is received by the District before the public opening of Bid Proposals.
2. Bid Security. Each Bid Proposal shall be accompanied by Bid Security in the form of: (i) cash; (ii) certified or cashier’s check payable to the District; or (iii) a Bid Bond, in the form and content incorporated into the Contract Documents (the “Bid Security”) in an amount not less than ten percent (10%) of the maximum amount of the Bid Proposal. Bid Bonds must conform to the following: (i) the Bid Bond is in the form and content included herein; and (ii) the Surety is an Admitted Surety Insurer under Code of Civil Procedure §995.120; (iii) authorized employees or representatives of the Bidder and Surety execute the Bid Bond and their signatures are duly notarized; (iv) the Surety’s representative’s authority to bind the Surety is attached to the Bid Bond and duly attested to by the Surety; and (v) all other information required by the form of the Bid Bond is completely and accurately provided.
3. Erasures; Inconsistent or Illegible Bid Proposals. Bid Proposals must not contain any erasures, interlineations or other corrections unless the same are suitably authenticated by affixing in the margin immediately opposite such erasure, interlineations or correction the initials of the person(s) signing the Bid Proposal. If a Bid Proposal, or portions thereof, are determined by the District to be illegible, ambiguous or inconsistent, whether by virtue of any erasures, interlineations, corrections or otherwise, the District may reject such a Bid Proposal as being non-responsive.
4. Examination of Site and Contract Documents. Each Bidder shall, at its sole cost and expense, inspect the Site and to become fully acquainted with the Contract Documents prior to bid and conditions affecting the Work. The submission of a Bid Proposal is prima facie evidence of the Bidder’s full compliance with the foregoing requirements.
5. Agreement and Bonds Upon Award of Contract. If the Bidder submitting this Bid Proposal is awarded the Contract, the undersigned will execute and deliver to the District the Contract in the form attached hereto within five (5) calendar days after notification of award of the Contract. Concurrently with delivery of the executed Agreement to the District, the Bidder awarded the Contract shall deliver to the District: (a) Certificates of Insurance evidencing all insurance coverage required under the Contract Documents; (b) the Performance Bond; (c) the Labor and Material Payment Bond; (d) the Certificate of Workers’ Compensation Insurance; (e) the Drug-

Free Workplace Certificate; (f) Fingerprint Certificates; and (g) Roof Project Financial Disclosure Certificates, if required. Failure of the Bidder awarded the Contract to strictly comply with the preceding may result in the District's rescission of the award of the Contract and/or forfeiture of the Bidder's Bid Security. In such event, the District may, in its sole and exclusive discretion elect to award the Contract to the responsible Bidder submitting the next lowest Bid Proposal, or to reject all Bid Proposals. The required number of executed copies of the Agreement and the form and content of the Performance Bond and the Payment Bond and other documents or instruments required at the time of execution of the Agreement are specified in the Contract Documents.

6. Pre-Bid Questions; Contract Document Interpretation and Modifications. Any Bidder in doubt as to the true meaning of any part of the Contract Documents; finds discrepancies, errors or omissions therein; or finds variances in any of the Contract Documents with the Laws ("Pre-Bid Questions"), shall submit a request for an clarification, interpretation or correction thereof using the form of Pre-Bid Inquiry included with the Contract Documents. Bidders are solely and exclusively responsible for submitting Pre-Bid Questions no later than the time/date designated in the Call for Bids. Responses to Pre-Bid Questions will be by written addendum issued by, or on behalf of, the District. A copy of any such addendum will be mailed or otherwise delivered to each Bidder receiving a set of the Contract Documents. Failure to request interpretation or clarification of any portion of the Contract Documents pursuant to the foregoing is a waiver of any discrepancy, defect or conflict therein.
7. Interpretation of Drawings, Specifications or Contract Documents. Interpretations, modifications or corrections of the Contract Documents will be by written addendum issued by or on behalf of the District. No person is authorized to render an oral interpretation or correction of any portion of the Contract Documents to any Bidder, and no Bidder is authorized to rely on any such oral interpretation or correction.
8. Bidder's Assumptions. The District is not responsible for any assumptions made or used by the Bidder in calculating its Bid Proposal Amount including, without limitation, assumptions regarding costs of labor, materials, equipment or substitutions/alternatives for any material, equipment, product, item or system incorporated into or forming a part of the Work which have not been previously expressly approved and accepted by the District. The successful Bidder, upon award of the Contract by the District, if any, will be required to complete the Work for the amount bid in the Bid Proposal within the Contract Time and in accordance with the Contract Documents.
9. District's Right to Modify Contract Documents. Before the public opening and reading of Bid Proposals, the District may modify the Work, the Contract Documents, or portion(s) thereof by the issuance of written addenda disseminated to all Bidders who have obtained a copy of the Specifications, Drawings and Contract Documents pursuant to the Call for Bids. Failure of a Bidder to acknowledge addenda in its Bid Proposal will render the Bid Proposal non-responsive and rejected.
10. Bidders Interested in More Than One Bid Proposal; Non-Collusion Affidavit. No person, firm, corporation or other entity shall submit or be interested in more than one Bid Proposal for the same Work; provided, however, that a person, firm or corporation that has submitted a sub-proposal to a Bidder or who has quoted prices for materials to a Bidder is not thereby disqualified from submitting a sub-proposal, quoting prices to other Bidders or submitting a Bid Proposal for the proposed Work to the District. Failure of a Bidder to submit a completed and executed Non-Collusion Affidavit with its Bid Proposal will render the Bid Proposal non-responsive.

11. Award of Contract. The District reserves the right to reject any and all Bid Proposals or to waive any irregularities or informalities in any Bid Proposal or in the bidding. Award of the Contract, if made by the District through action of its Board of Trustees, will be to the responsible Bidder submitting the lowest priced responsive Bid Proposal on the basis of the Base Bid Proposal or the Base Bid Proposal and Alternate Bid Items, if any, selected in accordance with these Instructions for Bidders.

11.1. Selection of Alternate Bid Items.

The lowest bid shall be the lowest bid price on the base contract.

11.2. Alternate Bid Items Not Included in Award of Contract. Bidders are referred to the provisions of the Contract Documents permitting the District, during performance of the Work, add or delete from the scope of the Work any or all of the Alternate Bid Items with the cost or credit of the same being the amount(s) set forth by the successful Bidder in its Alternate Bid Items Proposal.

11.3. Responsive Bid Proposal. A responsive Bid Proposal shall mean a Bid Proposal which conforms, in all material respects, to the Bid and Contract Documents.

11.4. Responsible Bidder. A responsible Bidder is a Bidder who has the capability in all respects, to perform fully the requirements of the Contract Documents and the moral and business integrity and reliability which will assure good faith performance. In determining responsibility, the following criteria will be considered: (i) the ability, capacity and skill of the Bidder to perform the Work of the Contract Documents; (ii) whether the Bidder can perform the Work promptly and within the time specified, without delay or interference; (iii) the character, integrity, reputation, judgment, experience and efficiency of the Bidder; (iv) the quality of performance of the Bidder on previous contracts, by way of example only, the following information will be considered: (a) the administrative, consultant or other cost overruns incurred by the District on previous contracts with the Bidder; (b) the Bidder's compliance record with contract general conditions on other projects; (c) the submittal by the Bidder of excessive and/or unsubstantiated extra cost proposals and claims on other projects; (d) the Bidder's record for completion of work within the contract time and the Bidder's compliance with the scheduling and coordination requirements on other projects; (e) the Bidder's demonstrated cooperation with the District and other contractors on previous contracts; (f) whether the work performed and materials furnished on previous contracts was in accordance with the Contract Documents; (v) the previous and existing compliance by the Bidder with laws and ordinances relating to contracts; (vi) the sufficiency of the financial resources and ability of the Bidder to perform the work of the Contract Documents; (vii) the quality, availability and adaptability of the goods or services to the particular use required; (viii) the ability of the Bidder to provide future maintenance and service for the warranty period of the Contract; (ix) whether the Bidder is in arrears on debt or contract or is a defaulter on any surety bond; (x) such other information as may be secured by the District having a bearing on the decision to award the Contract, to include without limitation the ability, experience and commitment of the Bidder to properly and reasonably plan, schedule, coordinate and execute the Work of the Contract Documents and whether the Bidder has ever been debarred from bidding or found ineligible for bidding on any other projects. The ability of a Bidder to provide the required bonds will not of itself demonstrate responsibility of the Bidder.

12. Subcontractors. Each Bidder shall submit a list of its Subcontractors for the Work as required by California Public Contract Code §§4100 et seq. on the form furnished. If a Bidder requires bonds

of its Subcontractor(s), such requirements shall be specified in the Bidder's written or published request for sub-bids.

13. Workers' Compensation Insurance. Pursuant to California Labor Code §3700, the successful Bidder shall secure Workers' Compensation Insurance for its employees engaged in the Work of the Contract. The successful Bidder shall sign and deliver to the District the Certificate of Workers Compensation Insurance incorporated into the Contract Documents.
14. Bid Security Return. The Bid Security of the Bidders submitting the three (3) lowest priced responsive Bid Proposals will be held by the District for ten (10) days after the period for which Bid Proposals must be held open, as set forth the Call for Bids, or until posting by the successful Bidder(s) of the bonds, certificates of insurance required and return of executed copies of the Agreement, whichever first occurs, at which time the Bid Security of such other Bidders will be returned to them.
15. Forfeiture of Bid Security. If the Bidder awarded the Contract fails or refuses to execute the Agreement within five (5) calendar days from the date of receiving notification that it is the Bidder to whom the Contract has been awarded, the District may declare the Bidder's Bid Security forfeited as damages caused by the failure of the Bidder to enter into the Contract and may thereupon award the Contract for the Work to the responsible Bidder submitting the next lowest priced Bid Proposal or may call for new bids, in its sole and exclusive discretion.
16. Contractor's License. No Bid Proposal will be considered from a Bidder who, at the time Bid Proposals are opened, is not licensed to perform the Work of the Contract Documents, in accordance with the Contractors' License Law, California Business & Professions Code §§7000 et seq. This requirement will not be waived by the District or its Board of Trustees.
17. Bidder's Qualifications. Each Bidder shall submit with its Bid Proposal the form of Statement of Qualifications, which is included within the Contract Documents. All information required by Statement of Qualifications shall be completely and fully provided. Any Bid Proposal not accompanied by the Statement of Qualifications completed with all information required and bearing the signature of the Bidder's duly authorized representative under penalty of perjury will render the Bid Proposal non-responsive and rejected. The Bid Proposal of a Bidder whose response to any question in the Essential Requirements section of the Statement of Qualifications resulted in a "Not Qualified" status will be rejected for non-responsiveness. If the District determines that any information provided by a Bidder in the Statement of Qualifications is false or misleading, or is incomplete so as to be false or misleading, the District may reject the Bid Proposal submitted by such Bidder as being non-responsive.
18. Job-Walk. The District will conduct a Job-Walk at the time(s) and place(s) designated in the Call for Bids. Attendance by representatives of the Bidder's Subcontractors at a Mandatory Job Walk without attendance by a representative of the Bidder is not sufficient to meet the Bidder's obligations hereunder and will render the Bid Proposal of such Bidder to be non-responsive. Notwithstanding the non-compulsory attendance of Bidders at a Non-Mandatory Job Walk, all Bidders are encouraged to attend Non-Mandatory Job Walks.
19. Public Records. Bid Proposals and other documents responding to the Call for Bids become the exclusive property of the District upon submittal to the District. At such time as the District issues the Notice of Intent to award the Contract pursuant to these Instructions for Bidders, all Bid Proposals and other documents submitted in response to the Call for Bids become a matter of public record and shall be thereupon be considered public records, except for information

contained in such Bid Proposals deemed to be Trade Secrets (as defined in California Civil Code §3426.1) confidential or proprietary. The District is not liable or responsible for the disclosure of such records, including those exempt from disclosure if disclosure is deemed required by law, by an order of Court, or which occurs through inadvertence, mistake or negligence on the part of the District or its officers, employees or agents. When Bid Proposals are deemed a matter of public record, pursuant to the above, any Bidder or other party shall be afforded access for inspection and/or copying of such Bid Proposals pursuant to the California Access to Public Records Act, California Government Code §§6250, et. seq. If the District is required to defend or otherwise respond to any action or proceeding wherein request is made for the disclosure of the contents of any portion of a Bid Proposal deemed exempt from disclosure hereunder, the Bidder submitting the materials sought by such action or proceeding agrees to defend, indemnify and hold harmless the District in any action or proceeding from and against any liability, including without limitation attorneys' fees arising there from. The party submitting materials sought by any other party shall be solely responsible for the cost and defense in any action or proceeding seeking to compel disclosure of such materials; the District's sole involvement in any such action shall be that of a stakeholder, retaining the requested materials until otherwise ordered by a court of competent jurisdiction.

20. Drug Free Workplace Certificate. The successful Bidder will be required to execute a Drug Free Workplace Certificate pursuant to California Government Code §§8350 et seq., concurrently with execution of the Agreement.
21. Notice of Intent to Award Contract. Following the public opening and reading of Bid Proposals, the District will issue a Notice of Intent to Award the Contract, identifying the Bidder to whom the District intends to award the Contract and the date/time/place of the District's Board of Trustees meeting at which award of the Contract will be considered.
22. Bid Protest. Any Bidder submitting a Bid Proposal to the District may file a protest of the District's intent to award the Contract provided that each and all of the following are complied with: (i) the bid protest is in writing; (ii) the bid protest is filed and received by the District's Chief Business Officer, not more than five (5) calendar days following the date of bid opening; and (iii) the written bid protest sets forth, in detail, all grounds for the bid protest, including without limitation all facts, supporting documentation, legal authorities and argument in support of the grounds for the bid protest; any matters not set forth in the written bid protest shall be deemed waived. All factual contentions must be supported by competent, admissible and credible evidence. Any bid protest not conforming to the foregoing shall be rejected by the District as invalid. Provided that a bid protest is filed in strict conformity with the foregoing, the District's Chief Business Officer, or such individual(s) as may be designated by him/her, shall review and evaluate the basis of the bid protest. Either the Chief Business Officer, or other individual designated by him/her shall provide the bidder submitting the bid protest with a written statement concurring with or denying the bid protest. The rendition of a written statement by the District's Chief Business Officer, (or his/her designee) is an express conditions precedent to the institution of any judicial proceedings relative to the bidding process, the District's intent to award the Contract, the District's disposition of any bid protest or the District's decision to reject all Bid Proposals. If any such judicial proceedings are instituted and the District is named as a party thereto, the prevailing party(ies) shall recover from the other party(ies), as costs, all attorneys' fees and costs incurred in connection with any such proceeding, including any appeal arising there from.

[END OF SECTION]

[THIS PAGE INTENTIONALLY BLANK]

BID PROPOSAL
PROJECT: RFQ CCC 054 Drinking Fountain Upgrade (“the Work”)

Bidder Name	_____	
Bidder Representative(s)	Name and Title _____	
	Name and Title _____	
Bidder Representative(s) Contact Information	Email	Phone/Fax
	_____	(_____) _____ Telephone
	_____	(_____) _____ Fax
Bidder Mailing Address	Address _____	
	City/State/Zip Code _____	
California Contractors' License	Number _____	
	Classification and Expiration Date _____	

1. Bid Proposal.

1.1. Bid Proposal Amount. The undersigned Bidder proposes to furnish all labor, materials, tools, equipment and services necessary to complete in accordance with the Contract Documents for the above-described Work, for the sum of:

_____ Dollars (\$_____).

The Bidder confirms that it has checked all of the above figures and understands that neither the District nor any of its agents, employees or representatives shall be responsible for any errors or omissions in this Bid Proposal.

Allowance. The Bidder and District acknowledge that the Bid Proposal Price set forth above includes an Allowance Amount in the aggregate amount of Five thousand Dollars (\$5,000.00),

\$5,000.00	To be used at the District's Discretion

Although included in the Bid Proposal Price, Allowances belong solely to the District and shall be expended only upon written direction by the District, to be granted or denied in its sole discretion. Any Allowance amount not fully consumed shall belong solely to the District and shall be refunded to the District by a deductive change order. By submitting this Bid Proposal, the Bidder confirms that the Bid Price proposed in Paragraph 1.1 is inclusive of all Allowances.

1.2. Acknowledgment of Bid Addenda. The Bidder confirms that this Bid Proposal incorporates and is inclusive of, all items or other matters contained in Bid Addenda issued by or on behalf of the District. Received, acknowledged and incorporated into this Bid Proposal the following Addenda:

_____ (List Addenda)

_____ (Initials of Bidder's Representative)

1.3. Alternate Bid Items. If the bidding includes Alternate Bid Items, the Bidder's price proposal(s) for Alternate Bid Items is/are set forth in the form of Alternate Bid Item Proposal attached to this Bid Proposal. Price proposal(s) for Alternate Bid Item(s) will not form the basis for the District's award of the Contract unless an Alternate Bid Item is incorporated into the scope of Work of the Contract awarded.

2. Documents Accompanying Bid Proposal. The Bidder has submitted with this Bid Proposal the following: (i) Bid Security; (ii) Subcontractors List; (iii) Statement of Qualifications; (iv) Non-Collusion Affidavit; and (v) DIR Registration Verification. The Bidder acknowledges that if this Bid Proposal and the foregoing documents are not fully in compliance with applicable requirements set forth in the Call for Bids, the Instructions for Bidders and in each of the foregoing documents, the Bid Proposal may be rejected for non-responsiveness.
3. Award of Contract. Within five (5) days after notification of award of the Contract, the Bidder awarded the Contract shall execute and deliver to the District three original signature copies of the Contract in the form attached hereto along with: (i) Certificates of Insurance evidencing all insurance coverages required under the Contract Documents; (ii) the Performance Bond; (iii) the Labor and Material Payment Bond; (iv) the Certificate of Workers' Compensation Insurance; and (v) the Drug-Free Workplace Certificate. Failure of the Bidder awarded the Contract to strictly comply with the preceding may result in the District's recession of the award of the Contract and/or forfeiture of the Bidder's Bid Security. In such event, the District may, in its sole and exclusive discretion elect to award the Contract to the responsible Bidder submitting the next lowest priced Bid Proposal, or to reject all Bid Proposals.
4. Contractors' License. The Bidder certifies that: (i) it is duly licensed, in the necessary class(es), for performing the Work of the Contract Documents, as designated by the District; (ii) that such license shall be in full force and effect throughout the duration of the performance of the Work under the Contract Documents; and (iii) that all Subcontractors providing or performing any portion of the Work are and shall remain properly licensed to perform or provide such portion of the Work.
5. Agreement to Bidding Requirements and Attorneys' fees. The undersigned Bidder acknowledges and confirms its receipt, review and agreement with, the contractual requirements set forth in this Bid Proposal and the Contract Documents. By executing this Bid Proposal hereinbelow, the Bidder expressly acknowledges and agrees that if the Bidder institutes any legal or equitable proceedings in connection with this Bid Proposal and the District is named as a party thereto, the prevailing party(ies) shall recover from the other party(ies), as costs, all attorneys' fees and costs incurred in connection with any such proceeding, including any appeal arising therefrom. This provision shall constitute a binding attorneys' fee agreement in accordance with and pursuant to California Civil Code §1717 which shall be enforceable against the Bidder and the District. This attorney fee provision shall be solely limited to legal or equitable proceedings arising out of a bid protest or the bidding process and shall not extend to or have any force and effect on the Contract for the Work or to modify the terms of the Contract Documents for the Work.

6. Acknowledgment and Confirmation. The undersigned Bidder acknowledges its receipt, review and understanding of the Drawings, the Specifications and other Contract Documents pertaining to the proposed Work. By submitting this Bid Proposal, the undersigned Bidder certifies that the Contract Documents are, in its opinion, adequate, feasible, accurate and complete for the Bidder to complete the Work in a workmanlike manner within the Contract Time and for the price proposed herein. The undersigned Bidder warrants and represents to the District that it has, or has available, all necessary equipment, personnel, materials, facilities and technical and financial ability to complete the Work for the amount bid herein, within the Contract Time and in accordance with the Contract Documents.

Dated: _____

By: _____
(Signature of Bidder's Authorized Officer or Representative)

(Typed or Printed Name)

Title: _____

ALTERNATE BID ITEMS PROPOSAL

Project: RFQ CCC 054 Drinking Fountain Upgrade

Bidder Name: _____

Bidders must provide a proposal price for each Alternate Bid Item set forth herein; failure to do so will result in rejection of the Bid Proposal for non-responsiveness. The amount proposed for each Alternate Bid Item by the above-identified Bidder is set forth herein below:

Alternate Bid Item No. 1. [DESCRIPTION]

Check one of the following and indicate the additive or deductive proposed price for the foregoing Alternate Bid Item.

- Add _____ Dollars (\$) to Base Bid Proposal Amount.
- Deduct _____ Dollars (\$) from Base Bid Proposal Amount.

Alternate Bid Item No. 2. [DESCRIPTION]

Check one of the following and indicate the additive or deductive proposed price for the foregoing Alternate Bid Item.

- Add _____ Dollars (\$) to Base Bid Proposal Amount.
- Deduct _____ Dollars (\$) from Base Bid Proposal Amount.

Dated _____

By: _____
(Signature of Bidder's Authorized Officer or Representative)

(Typed or Printed Name)

Title: _____

[THIS PAGE INTENTIONALLY BLANK]

PRE-BID INQUIRY FORM

Project: RFQ CCC 054 Drinking Fountain Upgrade

Submittal Date _____

Bidder inquiries will be responded to only if: (i) submitted on this Pre-Bid Inquiry Form; (ii) this completed Pre-Bid Inquiry Form is submitted prior to the latest date/time for submittal of pre-bid inquiries as set forth in the Call for Bids; and (ii) this completed Pre-Bid Inquiry Form is submitted to the person or entity noted in the Call for Bids.

Item No.	Item Description	Drawing Sheet No. & Detail No. Reference	Specifications Section and Paragraph No. Reference

Submitted By:

(Bidder Name)

(Signature of Bidder's Authorized Employee, Officer or Representative)

Bidder Contact Information:

(Bidder Contact Name)

(Phone and Fax)

(Email Address)

[THIS PAGE INTENTIONALLY BLANK]

SUBCONTRACTORS LIST

Project ("the Work")	RFQ CCC 054 Drinking Fountain Upgrade
Bidder Name	_____
Bidder's Representative Signature	_____ (Signature) _____ (Typed or Printed Name)

Licensed Name of Subcontractor	Address of Office, Mill or Shop	Contractor's License Number	Trade or Portion of Work	DIR Registration Number

[DUPLICATE THIS FORM FOR ADDITIONAL SUBCONTRACTORS]

[THIS PAGE INTENTIONALLY BLANK]

**VERIFICATION OF CONTRACTOR AND
SUBCONTRACTORS' DIR REGISTRATION**

I am the _____ of _____ ("Bidder")
(Title/Position) (Bidder Name)
submitting the accompanying Bid Proposal for the Work described as **RFQ CCC 054 Drinking
Fountain Upgrade**

1. The Bidder is currently registered as a contractor with the Department of Industrial Relations ("DIR").
2. The Bidder's DIR Registration Number is: _____. The expiration date of the Bidder's DIR Registration is _____, 20____.
3. If the expiration date of the Bidder's DIR Registration will occur prior to expiration of the Contract Time for the Work and the Bidder is awarded the Contract for the Work, prior to the Bidder's DIR Registration expiration, the Bidder will take all measures necessary to renew the Bidder's DIR Registration so that there is no lapse in the Bidder's DIR Registration.
4. The Bidder, if awarded the Contract for the Work will remain a DIR registered contractor for the entire duration of the Work.
5. The Bidder has independently verified that each Subcontractor identified in the Subcontractors List is a DIR registered contractor.
6. The Bidder's solicitation of Subcontractor bids included notice to prospective Subcontractors that: (i) all sub-tier subcontractors must be DIR registered contractors at all times during performance of the Work; and (ii) prospective subcontractors may only solicit sub-bids from and contract with lower-tier subcontractors who are DIR registered contractors.
7. If any of the statements herein are false or omit material facts rendering a statement to be false or misleading, the Bidder's Bid Proposal is subject to rejection for non-responsiveness.
8. I have personal first hand-knowledge of all of the foregoing.

I declare under penalty of perjury under California law that the foregoing is true and correct.

Executed this ____ day of _____, 20____ at _____
(City and State)

(Signature)

(Name, typed or printed)

[THIS PAGE INTENTIONALLY BLANK]

STATEMENT OF QUALIFICATIONS

1. Bidder Information.

1.1. Contact Information

Mailing Address	_____
	Company Name
	Street Address

	City, State, Zip Code
Physical Location (if different from mailing address)	_____
	Street Address

	City, State, Zip Code
Telephone/Fax	(____) _____
	Telephone
	(____) _____
	Fax

1.2. Bidder Contacts.

Name	_____
Contact Information	Telephone: (____) _____
	Fax (____) _____
	Email _____

1.3. California Contractors' License.

License Number(s)	_____
License Classification(s)	_____
Responsible Managing Employee; Responsible Managing Officer	_____
Expiration Date(s)	_____

1.4. Bidder Form of Entity.

- Corporation
- General Partnership
- Limited Partnership
- Limited Liability Company
- Limited Liability Partnership
- Joint Venture
- Sole Proprietorship

[CONTINUED NEXT PAGE]

2. Revenue. Complete the following for the Applicant’s construction operations; if any portion of the revenue disclosed is generated by non-construction operations or activities, the Applicant must identify the portion of revenue attributed to construction operations and generally describe business activities of the Applicant that generates non-construction operations related revenue.

Calendar Year/ Fiscal Year	Annual Gross Revenue	Average Dollar Value of all Contracts	Dollar Value of Largest Contract
2015 (2014/2015)			
2016 (2015/2016)			
2017 (2016/2017)			

3. References.

DSA Project Inspectors			
Firm Name	Address	Telephone No.	Contact Name
Owners (K-12 School Districts or Community Colleges preferred)			
Owner Name	Address	Telephone No.	Contact Name
Architects (K-12 or Community College Projects)			
Architect Firm Name & Architect Firm Contact Name	Address	Telephone No.	Contact Name

[CONTINUED NEXT PAGE]

4. Insurance.

<p>Commercial General Liability Insurance</p>	<p>Insurer: _____ Policy No. _____ Broker _____</p>
<p>Commercial General Liability Insurance Broker</p>	<p>(Contact Name) _____ _____ (Street Address) _____ (City, State & Zip Code) _____ (_____) _____ (_____) _____ Telephone Fax _____ (Email address)</p>
<p>Bid, Performance and Labor & Materials Payment Bond Surety</p>	<p>Surety: _____ Surety Broker _____ _____ (Surety Broker Contact Name) _____ (Street Address) _____ (City, State & Zip Code) _____ (_____) _____ (_____) _____ Telephone Fax _____ (Email address)</p>
<p>Workers Compensation Insurance</p>	<p>Insurer: _____ Policy No. _____ Broker _____</p>
<p>Workers Compensation Insurance Broker</p>	<p>(Contact Name) _____ _____ (Street Address) _____ (City, State & Zip Code) _____ (_____) _____ (_____) _____ Telephone Fax _____ (Email address)</p>

[CONTINUED NEXT PAGE]

5. Essential Requirements. A Bidder will not be deemed qualified if the answer to any of the following questions results in a “not qualified” response and the Bid Proposal submitted by such a Bidder will be rejected for non-responsiveness.

5.1. Bidder possesses a valid and currently in good standing California Contractors’ license for the Classification(s) of Contractors’ License required by the Call for Bids.

Yes No (Not Qualified)

5.2. The Bidder is a DIR Registered Contractor.

Yes No (Not Qualified)

5.3. Bidder has a current commercial general liability insurance policy with coverage limits which are equal to or exceed the minimum coverage limit required by the Contract Documents.

Yes No (Not Qualified)

5.4. Bidder has a current workers’ compensation insurance policy as required by the Labor Code or is legally self-insured pursuant to Labor Code § 3700.

Yes No (Not Qualified)

Bidder is exempt from this requirement, because it has no employees

5.5. Certificates of Insurance evidencing the Bidder’s current commercial general liability insurance policy and workers compensation insurance are attached to the response to this Qualifications Statement.

Commercial General Liability Certificate of Insurance

Yes No (Not Qualified)

Workers Compensation Certificate of Insurance

Yes No (Not Qualified)

No, Applicant is exempt from this requirement, because it has no employees

5.6. Is the Bidder ineligible or debarred from submitting Bid Proposals for public works projects or public works contracts pursuant Labor Code §1777.1 or Labor Code §1777.7?

Yes (Not Qualified) No

5.7. Has any public agency, within the past five (5) years conducted proceedings that resulted in a finding that the Bidder, or any predecessor to the Bidder, is not a “responsible” bidder for a public works project or a public works contract?

Yes (Not Qualified) No

5.8. At any time during the last five (5) years, has the Bidder or any predecessor to the Bidder, or any of the equity owners of the Bidder been convicted of a federal or state crime involving fraud, theft, or any other act of dishonesty?

Yes (Not Qualified) No

5.9. At any time during the past five (5) years has a Surety completed any project or the Bidder's obligations under a construction contract?

Yes (Not Qualified) No

5.10. At any time during the past five (5) years has the Bidder been declared in default under any construction contract to which the Bidder was a party?

Yes (Not Qualified) No

5.11. Is the Bidder's Worker's Compensation Insurance average Experience Modification Rating ("EMR") rating over the past five (5) years more than 1.5?

Yes (Not Qualified) No

6. Accuracy and Authority. The undersigned is duly authorized to execute this Statement of Qualifications under penalty of perjury on behalf of the above-identified Bidder. The undersigned warrants and represents that he/she has personal knowledge of each of the responses to this Statement of Qualifications and/or that he/she has conducted all necessary and appropriate inquiries to determine the truth, completeness and accuracy of responses to this Statement of Qualifications. The undersigned declares and certifies that the responses to this Statement of Qualifications are complete and accurate; there are no omissions of material fact or information that render any response to be false or misleading and there are no misstatements of fact in any of the responses. The above-identified Bidder acknowledges and agrees that if the District determines that any response herein is false or misleading or contains misstatements of fact so as to be false or misleading, the Bidder's Bid Proposal may be rejected by the District for non-responsiveness.

Executed this ___ day of _____ 20__ at _____
(City and State)

I declare under penalty of perjury under California law that the foregoing is true and correct.

By: _____
(Signature of Bidder's Authorized Officer or Representative)

(Typed or Printed Name)

Title: _____

[THIS PAGE INTENTIONALLY BLANK]

NON-COLLUSION AFFIDAVIT

STATE OF CALIFORNIA)
COUNTY OF _____)

PROJECT: RFQ CCC 054 Drinking Fountain Upgrade

I, _____, being first duly sworn, deposes and says that I am the
(Typed or Printed Name)
_____ of _____, the party submitting
(Title) (Bidder Name)
the foregoing Bid Proposal ("the Bidder"). In connection with the foregoing Bid Proposal, the undersigned declares, states and certifies that:

The Bid Proposal is not made in the interest of, or on behalf of, any undisclosed person, partnership, company, association, organization or corporation.

The Bid Proposal is genuine and not collusive or sham.

The bidder has not directly or indirectly induced or solicited any other bidder to put in a false or sham bid, and has not directly or indirectly colluded, conspired, connived, or agreed with any other bidder or anyone else to put in sham bid, or to refrain from bidding.

The bidder has not in any manner, directly or indirectly, sought by agreement, communication, or conference with anyone to fix the bid price, or that of any other bidder, or to fix any overhead, profit or cost element of the bid price or that of any other bidder, or to secure any advantage against the public body awarding the contract or of anyone interested in the proposed contract.

All statements contained in the Bid Proposal and related documents are true.

The bidder has not, directly or indirectly, submitted the bid price or any breakdown thereof, or the contents thereof, or divulged information or data relative thereto, or paid, and will not pay, any fee to any person, corporation, partnership, company, association, organization, bid depository, or to any member or agent thereof to effectuate a collusive or sham bid.

Executed this ____ day of _____, 20__ at _____.
(City, County and State)

I declare under penalty of perjury under the laws of the State of California that the foregoing is true and correct.

Dated _____

By: _____
(Signature of Bidder's Authorized Officer or Representative)

(Typed or Printed Name)

Title: _____

[THIS PAGE INTENTIONALLY BLANK]

[THIS PAGE INTENTIONALLY BLANK]

DRUG-FREE WORKPLACE CERTIFICATION

I, _____, am the _____ of _____
 (Print Name) (Title) (Contractor Name)

I declare, state and certify to all of the following:

1. I am aware of the provisions and requirements of California Government Code §§8350 et seq., the Drug Free Workplace Act of 1990.
2. I am authorized to certify, and do certify, on behalf of Contractor that a drug free workplace will be provided by Contractor by doing all of the following:
 - 2.1. Publishing a statement notifying employees that the unlawful manufacture, distribution, dispensation, possession or use of a controlled substance is prohibited in Contractor's workplace and specifying actions which will be taken against employees for violation of the prohibition.
 - 2.2. Establishing a drug-free awareness program to inform employees about all of the following: (i) the dangers of drug abuse in the workplace; (ii) Contractor's policy of maintaining a drug-free workplace; (iii) the availability of drug counseling, rehabilitation and employee-assistance programs; and (iv) the penalties that may be imposed upon employees for drug abuse violations.
 - 2.3. Requiring that each employee engaged in the performance of the Contract be given a copy of the statement required by Paragraph 2.1 above, and that as a condition of employment by Contractor in connection with the Work of the Contract, the employee agrees to abide by the terms of the statement.
3. Contractor agrees to fulfill and discharge all of Contractor's obligations under the terms and requirements of California Government Code §8355 by, inter alia, publishing a statement notifying employees concerning: (i) the prohibition of any controlled substance in the workplace, (ii) establishing a drug-free awareness program, and (iii) requiring that each employee engaged in the performance of the Work of the Contract be given a copy of the statement required by California Government Code §8355(a) and requiring that the employee agree to abide by the terms of that statement.
4. Contractor and I understand that if the District determines that Contractor has either: (i) made a false certification herein, or (ii) violated this certification by failing to carry out and to implement the requirements of California Government Code §§8355, the Contract awarded herein is subject to termination, suspension of payments, or both. Contractor and I further understand that, should Contractor violate the terms of the Drug-Free Workplace Act of 1990, Contractor may be subject to debarment in accordance with the provisions of California Government Code §§8350, et seq.
5. Contractor and I acknowledge that Contractor and I are aware of the provisions of California Government Code §§8350, et seq. and hereby certify that Contractor and I will adhere to, fulfill, satisfy and discharge all provisions of and obligations under the Drug-Free Workplace Act of 1990.

I declare under penalty of perjury under the laws of the State of California that all of the foregoing is true and correct. Executed this ___ day of _____ 20__ at

 (City and State)

By: _____
 (Signature of Bidder's Authorized Officer or Representative)

 (Typed or Printed Name)

Title: _____

[THIS PAGE INTENTIONALLY BLANK]

AGREEMENT

THIS AGREEMENT is entered into as of _____ in the City of Compton, County of Los Angeles, State of California, by and between COMPTON COMMUNITY COLLEGE DISTRICT, a California Community College District hereinafter "District" and _____ ("Contractor").

WITNESSETH, that the District and the Contractor in consideration of the mutual covenants contained herein agree as follows:

- 1. The Work.** Within the Contract Time and for the Contract Price, subject to adjustments thereto pursuant to the Contract Documents, the Contractor shall perform and provide all necessary labor, materials, tools, equipment, utilities, services and transportation to complete in a workmanlike manner all of the Work required in connection with the work of improvement commonly referred to as Site Concrete Work. The Contractor shall complete all Work covered by the Contract Documents, including without limitation, the Drawings and Specifications prepared by the Architect and other Contract Documents enumerated in Paragraph 5 of this Agreement, along with all modifications and addenda thereto issued in accordance with the Contract Documents. The Architect for the Work is N/A.
- 2. Contract Time.** The Work shall be commenced on the date stated in the District's Notice to Proceed. The Contractor shall achieve Substantial Completion of the Work () days after the commencement date of the Work set forth in the Notice to Proceed.
- 3. Contract Price.** The District shall pay the Contractor as full consideration for the Contractor's full, complete and faithful performance of the Contractor's obligations under the Contract Documents, subject to adjustments of the Contract Price in accordance with the Contract Documents, the Contract Price of Dollars (\$). The Contract Price is based upon the Contractor's Base Bid Proposal for the Work and the following Alternate Bid Items, if any: N/A. The District's Progress Payments of the Contract Price shall be subject to retention withholdings equal to five percent (5%) of each Progress Payment ("Retention"). Retention withheld by the District shall be disbursed to the Contractor as part of the Final Payment due the Contractor.
- 4. Liquidated Damages.** The Contractor shall be subject to assessment of Liquidated Damages if the Contractor: (i) fails to achieve Substantial Completion of the Work within the Contract Time, including adjustments thereto authorized by the Contract Documents; (ii) fails to submit Submittals in accordance with the Submittal Schedule; or (iii) fails to complete Punchlist items noted upon Substantial Completion within the time established to complete the Punchlist items. The per diem rate of Liquidated Damages assessed for each of the foregoing events is set forth in the Contract Documents.
- 5. Limitation on Damages.** If the District breaches or defaults in its performance of its obligations under the Contract Documents, the damages, if any, recoverable by the Contractor shall be limited to general damages which are directly and proximately caused by said breach or default of the District and shall exclude any and all special or consequential damages. By executing this Agreement, the Contractor expressly acknowledges the foregoing limitation to the recovery only of general damages from the District if the District is in breach or default of its obligations under the Contract Documents. The Contractor expressly waives any right to and foregoes the recovery of any special or consequential damages from the District including, without limitation, damages for: (i) lost or impaired bonding capacity; and/or, (ii) lost profits arising out of or in connection with any past, present, or future work of improvement, except for the Project which is the subject of the Contract Documents.

6. The Contract Documents. The documents forming a part of the Contract Documents consist of the following, all of which are component parts of the Contract Documents:

- | | |
|--|---|
| <ul style="list-style-type: none"> 00 01 10 Table of Contents 00 11 13 Notice Calling for Bids,
including Bid Addenda Nos. _____ 00 21 13 Instructions for Bidders 00 41 00 Bid Proposal 00 42 13 Alternate Bid Items Proposal
Form 00 43 24 Pre-Bid Inquiry Form 00 43 36 Subcontractors List 00 45 13 Statement of Qualifications 00 45 19 Non-Collusion Affidavit | <ul style="list-style-type: none"> 00 45 26 Certificate of Workers Compensation
Insurance 00 45 27 Drug-Free Workplace Certification 00 52 00 Agreement 00 61 10 Bid Bond 00 61 13 Performance Bond 00 61 14 Labor and Material Payment Bond 00 62 90 Verification of Certified Payroll Records
Submittal to Labor Commission 00 65 36 Guarantee Form 00 72 00 General Conditions 00 73 00 Special Conditions |
|--|---|

7. Notices. Notices of the District and Contractor to the other shall be transmitted in accordance with the Contract Documents. The effective date of notices transmitted in accordance with the Contract Documents shall be as set forth in the Contract Documents. Notices under the Contract Documents shall be addressed as follows:

If to the District:
 Steven Haigler
 Vice President, Administrative Services
 Compton Community College District
 1111 East Artesia Boulevard
 Compton, CA 90221

If to the Contractor:

8. Authority to Execute. The individual(s) executing this Agreement on behalf of the Contractor is/are duly and fully authorized to execute this Agreement on behalf of Contractor and to bind the Contractor to each and every term, condition and covenant of the Contract Documents.

CONTRACTORS ARE REQUIRED BY LAW TO BE LICENSED AND REGULATED BY THE CONTRACTORS' STATE LICENSE BOARD. ANY QUESTIONS CONCERNING A CONTRACTOR MAY BE REFERRED TO THE REGISTRAR, CONTRACTORS' STATE LICENSE BOARD, P.O. BOX 2600, SACRAMENTO, CALIFORNIA 95826

IN WITNESS WHEREOF, this Agreement has been duly executed by the District and the Contractor as of the date set forth above

DISTRICT"
Compton Community College District

By: _____

(Name Printed or Typed)

Title: _____

"CONTRACTOR"

By: _____

(Name Printed or Typed)

Title: _____

[THIS PAGE INTENTIONALLY BLANK]

BID BOND

KNOW ALL MEN BY THESE PRESENTS that we, _____, as Surety and _____, as Principal, are jointly and severally, along with their respective heirs, executors, administrators, successors and assigns, held and firmly bound unto COMPTON COMMUNITY COLLEGE DISTRICT (“the Obligee”) for payment of the penal sum hereof in lawful money of the United States, as more particularly set forth herein.

THE CONDITION OF THIS OBLIGATION IS SUCH THAT:

WHEREAS, the Principal has submitted the accompanying Bid Proposal to the Obligee for the Work commonly described as **RFQ CCC 054 Drinking Fountain Upgrade**.

WHEREAS, subject to the terms of this Bond, the Surety and the Principal are jointly and severally firmly bound unto the Obligee in the penal sum equal to Ten Percent (10%) of the maximum amount of the Bid Proposal submitted by the Principal to the Obligee, inclusive of amounts proposed for Alternate Bid Items, if any.

NOW THEREFORE, if the Principal shall not withdraw said Bid Proposal within the period specified therein after the opening of the same, or, if no period be specified, for sixty (60) days after opening of said Bid Proposal; and if the Principal is awarded the Contract, and shall within the period specified therefore, or if no period be specified, within five (5) days after the prescribed forms are presented to him for signature, enter into a written contract with the Obligee, in accordance with the Bid Proposal as accepted and give such bond(s) with good and sufficient surety or sureties, as may be required, for the faithful performance and proper fulfillment of such Contract and for the payment for labor and materials used for the performance of the Contract, or in the event of the withdrawal of said Bid Proposal within the period specified for the holding open of the Bid Proposal or the failure of the Principal to enter into such Contract and give such bonds within the time specified, if the Principal shall pay the Obligee the difference between the amount specified in said Bid Proposal and the amount for which the Obligee may procure the required Work and/or supplies, if the latter amount be in excess of the former, together with all costs incurred by the Obligee in again calling for Bids, then the above obligation shall be void and of no effect, otherwise to remain in full force and effect.

Surety, for value received, hereby stipulates and agrees that no change, extension of time, alteration or addition to the terms of the Contract or the Call for Bids, the Work to be performed there under, the Drawings or the Specifications accompanying the same, or any other portion of the Contract Documents shall in no way affect its obligations under this Bond, and it does hereby waive notice of any such change, extension of time, alteration or addition to the terms of said Contract, the Call for Bids, the Work, the Drawings or the Specifications, or any other portion of the Contract Documents.

In the event suit or other proceeding is brought upon this Bond by the Obligee, the Surety and Principal shall be jointly and severally liable for payment to the Obligee all costs, expenses and

[CONTINUED NEXT PAGE]

fees incurred by the Obligee in connection therewith, including without limitation, attorneys' fees.

IN WITNESS WHEREOF, the Principal and Surety have executed this instrument this _____ day of _____, 20__ by their duly authorized agents or representatives.

(Bidder-Principal Name)

By: _____
(Signature)

(Typed or Printed Name)

Title: _____

(Attach Notary Public Acknowledgement of Principal's Signature)

(Surety Name)

By: _____
(Signature of Attorney-In-Fact for Surety)

(Typed or Printed Name of Attorney-In-Fact)

(Attach: (i) Attorney-In-Fact Certification; (ii) Notary Public Acknowledgment of Authorizing Signature on Attorney-Fact Certification; and (iii) Notary Public Acknowledgement of Attorney-In-Fact's Signature)

Contact name, address, telephone number and email address for notices to the Surety

(Contact Name)

(Street Address)

(City, State & Zip Code)

(_____) _____ (_____) _____
Telephone Fax

(Email address)

PERFORMANCE BOND

KNOW ALL MEN BY THESE PRESENTS that we, _____, as Surety and _____, as Principal, are jointly and severally, along with their respective heirs, executors, administrators, successors and assigns, held and firmly bound unto COMPTON COMMUNITY COLLEGE DISTRICT (“the Obligee”) for payment of the penal sum the penal sum of _____ Dollars (\$_____) in lawful money of the United States, well and truly to be made, we bind ourselves, our heirs, executors, administrators, successors and assigns, jointly and severally.

THE CONDITION OF THIS OBLIGATION IS SUCH THAT:

WHEREAS, the Obligee, by resolution of its Board of Trustees has awarded to the Principal a Contract for the Work described as **RFQ CCC 054 Drinking Fountain Upgrade**.

WHEREAS, the Principal, has entered into an agreement with the Obligee for performance of the Work; the Agreement and all other Contract Documents set forth therein are incorporated herein and made a part hereof by this reference.

WHEREAS, by the terms of the Contract Documents, the Principal is required to furnish a bond ensuring the Principal’s prompt, full and faithful performance of the Work of the Contract Documents.

NOW THEREFORE, if the Principal shall promptly, fully and faithfully perform each and all of the obligations and things to be done and performed by the Principal in strict accordance with the terms of the Contract Documents as they may be modified or amended from time to time; and if the Principal shall indemnify and save harmless the Obligee and all of its officers, agents and employees from any and all losses, liability and damages, claims, judgments, liens, costs, and fees of every description, which may be incurred by the Obligee by reason of the failure or default on the part of the Principal in the performance of any or all of the terms or the obligations of the Contract Documents, including all modifications, and amendments, thereto, and any warranties or guarantees required thereunder; then this obligation shall be void; otherwise, it shall be, and remain, in full force and effect.

The Surety, for value received, hereby stipulates and agrees that no change, adjustment of the Contract Time, adjustment of the Contract Price, alterations, deletions, additions, or any other modifications to the terms of the Contract Documents, the Work to be performed thereunder, or to the Specifications or the Drawings shall limit, restrict or otherwise impair Surety’s obligations or Obligee’s rights hereunder; Surety hereby waives notice from the Obligee of any such changes, adjustments of Contract Time, adjustments of Contract Price, alterations, deletions, additions or other modifications to the Contract Documents, the Work to be performed under the Contract Documents, or the Drawings or the Specifications.

In the event of the Obligee’s termination of the Contract due to the Principal’s breach or default of the Principal’s obligations thereunder, within twenty (20) days after written notice from the Obligee to the Surety of the Principal’s breach or default of the Contract Documents and Obligee’s termination of the Contract, the Surety shall notify Obligee in writing of Surety’s assumption of obligations hereunder by its election to either remedy the default or breach of the Principal or to take charge of the Work of the Contract Documents and complete the Work at its own expense (“the Notice of Election”); provided, however, that the procedure by which the Surety undertakes to discharge its obligations under this Bond shall be subject to the advance written approval of the Obligee, which

[CONTINUED NEXT PAGE]

approval shall not be unreasonably withheld, limited or restricted. The insolvency of the Principal or the Principal's denial of a failure of performance or default under the Contract Documents shall not by itself, without the Surety's prompt, diligent inquiry and investigation of such denial, be justification for Surety's failure to give the Notice of Election or for its failure to promptly remedy the failure of performance or default of the Principal or to complete the Work.

In the event the Surety fails to issue its Notice of Election to Obligee within the time provided for hereinabove, the Obligee may thereafter cause the cure or remedy of the Principal's failure of performance or default or to complete the Work. The Principal and the Surety shall be jointly and severally liable to the Obligee for all damages and costs sustained by the Obligee as a result of the Principal's failure of performance under the Contract Documents or default in its performance of obligations thereunder, including without limitation the costs of cure or completion of the Work exceeding the then remaining balance of the Contract Price; provided that the Surety's liability hereunder for the costs of performance, damages and other costs sustained by the Obligee upon the Principal's failure of performance or default under the Contract Documents shall be limited to the penal sum hereof, which shall be deemed to include the costs or value of any Changes to the Work which increases the Contract Price.

In the event suit or other proceeding is brought upon this Bond by the Obligee, the Surety and Principal shall be jointly and severally liable for payment to the Obligee of all costs, expenses and fees incurred by the Obligee therewith, including without limitation, attorneys' fees.

IN WITNESS WHEREOF, the Principal and Surety have executed this instrument this ____ day of _____, 20__ by their duly authorized agent or representative

(Contractor-Principal Name)

By: _____

(Signature)

(Typed or Printed Name)

Title: _____

(Attach Notary Public Acknowledgement of Principal's Signature)

(Surety Name)

By: _____

(Signature of Attorney-In-Fact for Surety)

(Typed or Printed Name of Attorney-In-Fact)

(Attach: (i) Attorney-In-Fact Certification; (ii) Notary Public Acknowledgment of Authorizing Signature on Attorney-Fact Certification; and (iii) Notary Public Acknowledgement of Attorney-In-Fact's Signature)

Contact name, address, telephone number and email address for notices to the Surety

(Contact Name)

(Street Address)

(City, State & Zip Code)

(_____) _____ (_____) _____

Telephone Fax

(Email address)

LABOR AND MATERIAL PAYMENT BOND

KNOW ALL MEN BY THESE PRESENTS that we, _____, as Surety and _____, as Principal, are jointly and severally, along with their respective heirs, executors, administrators, successors and assigns, held and firmly bound unto COMPTON COMMUNITY COLLEGE DISTRICT ("the Oblige") for payment of the penal sum the penal sum of _____ Dollars (\$_____) in lawful money of the United States, well and truly to be made, we bind ourselves, our heirs, executors, administrators, successors and assigns, jointly and severally.

THE CONDITION OF THIS OBLIGATION IS SUCH THAT:

WHEREAS, the Oblige, by resolution of its Board of Trustees has awarded to the Principal a Contract for the Work described as **RFQ CCC 054 Drinking Fountain Upgrade**.

WHEREAS, the Principal, has entered into an Agreement with the Oblige for performance of the Work, the Agreement and all other Contract Documents set forth therein are incorporated herein by this reference and made a part hereof.

WHEREAS, by the terms of the Contract Documents, the Principal is required to furnish a bond for the prompt, full and faithful payment to any Claimant, as hereinafter defined, for all labor materials or services used, or reasonably required for use, in the performance of the Work.

NOW THEREFORE, if the Principal shall promptly, fully and faithfully make payment to any Claimant for all labor, materials or services used or reasonably required for use in the performance of the Work then this obligation shall be void; otherwise, it shall be, and remain, in full force and effect.

The term "Claimant" shall refer to any person, corporation, partnership, proprietorship or other entity including without limitation, all persons and entities described in California Civil Code §9100, providing or furnishing labor, materials or services used or reasonably required for use in the performance of the Work under the Contract Documents, without regard for whether such labor, materials or services were sold, leased or rented. This Bond shall inure to the benefit of all Claimants so as to give them, or their assigns and successors, a right of action upon this Bond.

In the event suit is brought on this Bond by any Claimant for amounts due such Claimant for labor, materials or services provided or furnished by such Claimant, the Surety shall pay for the same and reasonable attorneys' fees pursuant to California Civil Code §9554.

The Surety, for value received, hereby stipulates and agrees that no change, extension of time, alteration, deletion, addition, or any other modification to the terms of the Contract Documents, the Work to be performed thereunder, the Specifications or the Drawings, or any other portion of the Contract Documents, shall in any way limit, restrict or otherwise affect its obligations under this Bond; the Surety hereby waives notice from the Oblige of any such change, extension of time, alteration, deletion, addition or other modification to the Contract Documents, the Work to be performed under the Contract Documents, the Drawings or the Specifications of any other portion of the Contract Documents.

[CONTINUED NEXT PAGE]

IN WITNESS WHEREOF, the Principal and Surety have executed this instrument this _____ day of _____, 20__ by their duly authorized agent or representative.

(Contractor-Principal Name)

By: _____
(Signature)

(Typed or Printed Name)

Title: _____

(Attach Notary Public Acknowledgement of Principal's Signature)

(Surety Name)

By: _____
(Signature of Attorney-In-Fact for Surety)

(Typed or Printed Name of Attorney-In-Fact)

(Attach: (i) Attorney-In-Fact Certification; (ii) Notary Public Acknowledgment of Authorizing Signature on Attorney-Fact Certification; and (iii) Notary Public Acknowledgement of Attorney-In-Fact's Signature)

Contact name, address, telephone number and email address for notices to the Surety

(Contact Name)

(Street Address)

(City, State & Zip Code)

(_____) _____ (_____) _____
Telephone Fax

(Email address)

**CERTIFICATION OF CERTIFIED PAYROLL RECORDS SUBMITTAL
TO LABOR COMMISSION**

I am the _____ for _____ in connection with
(Superintendent/Project Manager) (Contractor)
_____. This Certification is submitted to Compton
(Project Name)

Community College District concurrently with the Contractor's submittal of an Application for Progress Payment to the District, identified as Application For Progress Payment No. _____ ("the Pay Application").

1. The Pay Application requests the District's disbursement of a Progress Payment covering Work performed for the period between _____, 20__ and _____, 20__.
2. The Contractor has submitted Certified Payroll Records ("CPR") to the Labor Commissioner for all employees of the Contractor engaged in performance of Work subject to prevailing wage rate requirements for the period of time covered by the Pay Application.
3. All Subcontractors who are entitled to any portion of payment to be disbursed pursuant to the Pay Application have submitted their CPRs to the Labor Commissioner for all of their employees performing Work subject to prevailing wage rate requirements for the period of time covered by the Pay Application.
4. I have reviewed the Contractor's CPRs submitted to the Labor Commissioner; the CPRs submitted to the Labor Commissioner by the Contractor are complete and accurate for the period of time covered by the Pay Application.
5. I have reviewed the Subcontractors' CPRs submitted to the Labor Commissioner; the CPRs submitted to the Labor Commissioner by the Subcontractors are complete and accurate for the period of time covered by the Pay Application.

I declare under penalty of perjury under California law that the foregoing is true and correct. I executed this Certification on the ____ day of _____, 20__ at

(City and State)

By: _____

(Typed or Printed Name)

[THIS PAGE INTENTIONALLY BLANK]

GUARANTEE

Project: RFQ CCC 054 Drinking Fountain Upgrade

The Contractor hereby warrants and guarantees to the District that all work, materials, equipment and workmanship provided, furnished or installed by or on behalf of Contractor in connection with the above referenced Project (the "Work") have been provided, furnished and installed in strict conformity with the Contract Documents for the Work, including without limitation, the Drawings and the Specifications. Contractor further warrants and guarantees that all work, materials, equipment and workmanship as provided, furnished and/or installed are fit for use as specified and fulfill all applicable requirements of the Contract Documents including without limitation, the Drawings and the Specifications. Contractor shall, at its sole cost and expense, repair, correct and/or replace any or all of the work, materials, equipment and/or workmanship of the Work, together with any other items which may be affected by any such repairs, corrections or replacement, that may be unfit for use as specified or defective within a period of two (2) years from the date of the District's Final Acceptance of the Work, ordinary wear and tear and unusual abuse or neglect excepted.

In the event of the Contractor's failure and/or refusal to comply with the provisions of this Guarantee, within the period of time set forth in the Contract Documents after the District's issuance of the Notice to the Contractor of any defect(s) in the Work, materials, equipment or workmanship, Contractor authorizes the District, without further notice to Contractor, to repair, correct and/or replace any such defective item at the expense of the Contractor. The Contractor shall reimburse the District for all costs, expenses or fees incurred by the District in providing or performing such repairs, corrections or replacements within ten (10) days of the District's presentation of a demand to the Contractor for the same.

The provisions of this Guarantee and the provisions of the Contract Documents for the Work relating to the Contractor's Guarantee(s) and warranty(ies) relating to the Work shall be binding upon the Contractor's Performance Bond Surety and all successors or assigns of Contractor and/or Contractor's Performance Bond Surety.

The provisions of this Guarantee are in addition to, and not in lieu of, any provisions of the Contract Documents for the Work relating to the Contractor's guarantee(s) and warranty(ies) or any guarantee(s) or warranty(ies) provided by any material supplier or manufacturer of any equipment, materials or other items forming a part of, or incorporated into the Work, or any other guarantee or warranty obligation of the Contractor, prescribed, implied or imposed by law.

The undersigned individual executing this Guarantee on behalf of Contractor warrants and represents that he/she is duly authorized to execute this Guarantee on behalf of Contractor and to bind Contractor to each and every provision hereof.

Contractor

(Contractor Name)

(Signature of Contractor's Authorized Employee, Officer
Or Representative)

(Printed Name and Title)

(Date)

[THIS PAGE INTENTIONALLY BLANK]

GENERAL CONDITIONS TABLE OF CONTENTS

<p>1. Definitions</p> <p>1.1. The Work.</p> <p>1.2. Surety.</p> <p>1.3. Subcontractors.</p> <p>1.4. Material Supplier.</p> <p>1.5. Drawings and Specifications.</p> <p>1.6. Intent and Correlation of Contract Documents.</p> <p>1.7. Shop Drawings; Samples; Product Data (“Submittals”).</p> <p>1.8. Division of State Architect (“DSA”).</p> <p>1.9. Project Inspector.</p> <p>1.10. Contract Document Terms.</p> <p>1.11. Record Drawings.</p> <p>1.12. Construction Manager.</p> <p>1.13. Construction Equipment. “</p> <p>1.14. Site.</p> <p>1.15. Field Clarifications.</p> <p>1.16. Defective or Non-Conforming Work.</p> <p>1.17. Notice to Proceed.</p> <p>1.18. Progress Reports; Verified Reports.</p> <p>1.19. Laws.</p> <p>2. District</p> <p>2.1. Information Required of District.</p> <p> 2.1.1. Surveys; Site Information.</p> <p> 2.1.2. Permits; Fees.</p> <p> 2.1.3. Drawings and Specifications.</p> <p>2.2. District’s Right to Stop the Work.</p> <p>2.3. Partial Occupancy or Use.</p> <p>2.4. The Project Inspector.</p> <p> 2.4.1. Authority.</p> <p> 2.4.2. Facilities and Information for the Project Inspector.</p> <p>2.5. Communications Software.</p> <p>3. Architect</p> <p>3.1. Architect’s Administration of the Contract.</p> <p>3.2. Periodic Site Inspections.</p> <p>3.3. Contractor Responsibility for Construction Means, Methods and Sequences.</p> <p>3.4. Submittals.</p> <p>3.5. Changes; Change Orders.</p> <p>3.6. Interpretation of Contract Documents.</p> <p>3.7. Contractor Request for Information.</p> <p>3.8. Communications; Architect’s Role.</p> <p>4. The Contractor</p> <p>4.1. Contractor Review of Contract Documents.</p> <p> 4.1.1. Examination of Contract Documents.</p> <p> 4.1.2. Measurements, Layouts and Field Engineering.</p> <p> 4.1.3. Drawings; Dimensions.</p> <p> 4.1.4. Work in Accordance With Contract</p>	<p>Documents.</p> <p>4.2. Site Investigation; Subsurface Conditions.</p> <p> 4.2.1. Subsurface Data.</p> <p> 4.2.2. Subsurface Conditions.</p> <p>4.3. Supervision and Construction Procedures.</p> <p> 4.3.1. Supervision of the Work.</p> <p> 4.3.2. Noise and Dust Control.</p> <p> 4.3.3. Clean-Up.</p> <p> 4.3.4. Cutting and Patching.</p> <p> 4.3.5. Construction Utilities.</p> <p> 4.3.6. Existing Utilities; Removal, Relocation and Protection.</p> <p>4.4. Conferences and Meetings.</p> <p>4.5. Labor and Materials.</p> <p> 4.5.1. Payment for Labor, Materials and Services.</p> <p> 4.5.2. Employee Discipline and Competency.</p> <p> 4.5.3. Contractor’s Superintendent.</p> <p> 4.5.4. Prohibition on Harassment.</p> <p> 4.5.5. Taxes.</p> <p>4.6. Permits, Fees and Notices; Compliance With Laws.</p> <p> 4.6.1. Payment of Permits, Fees.</p> <p> 4.6.2. Compliance With Laws.</p> <p> 4.6.3. Notice of Variation From Laws.</p> <p> 4.6.4. DIR Registration.</p> <p>4.7. Submittals.</p> <p> 4.7.1. Contractor’s Submittals.</p> <p> 4.7.1.1. Prompt Submittals.</p> <p> 4.7.1.2. Contractor Approval of Subcontractor Submittals.</p> <p> 4.7.1.3. Contractor Responsibility for Deviations.</p> <p> 4.7.1.4. No Performance of Work Without Architect Review.</p> <p> 4.7.2. Architect Review of Submittals.</p> <p> 4.7.3. Deferred Approval Items.</p> <p>4.8. Materials and Equipment.</p> <p> 4.8.1. Approval of Substitutions or Alternatives.</p> <p> 4.8.2. District Standard Products; “Sole Source” Products.</p> <p> 4.8.3. Placement of Material and Equipment Orders.</p> <p> 4.8.4. District’s Right to Place Orders for Materials and/or Equipment.</p> <p>4.9. Safety.</p> <p>4.10. Hazardous Materials; Prohibition on Use of Asbestos Construction Building Materials (“ACBMs”).</p> <p>4.11. Maintenance of Record Drawings.</p> <p>4.12. Use of Site.</p>
--	--

- 4.13. Access to the Work.
- 4.14. Patents and Royalties.
- 4.15. Wage Rates; Employment of Labor.
- 4.15.1. Payment of Prevailing Rates.
- 4.15.2. Prevailing Rate Penalty.
- 4.15.3. Certified Payroll Records.
- 4.15.4. Hours of Work.
- 4.16. Apprentices.
- 4.17. Assignment of Antitrust Claims.
- 4.18. Progress Reports; DSA Verified Reports.
- 4.18.1. DSA Verified Reports: Contractor Actions.
- 4.18.2. District Withholdings From Final Payment.
- 4.18.3. Progress Reports.
- 5. Subcontractors.**
- 5.1. Subcontracts.
- 5.2. Subcontractor DIR Contractor Registration.
- 5.2.1. No Subcontractor Performance of Work Without DIR Registration.
- 5.2.2. Contractor Obligation to Verify Subcontractor DIR Registration Status.
- 5.2.3. Contractor Obligation to Request Substitution of Listed Subcontractor Who Is Not DIR Registered Contractor.
- 5.3. Substitution of Listed Subcontractor.
- 5.3.1. Substitution Process.
- 5.3.2. Responsibilities of Contractor Upon Substitution of Subcontractor.
- 5.4. Subcontractors' Work.
- 6. Insurance, Indemnity and Bonds.**
- 6.1. Workers' Compensation Insurance; Employer's Liability Insurance.
- 6.2. Commercial General Liability and Property Insurance.
- 6.3. Builder's Risk "All-Risk" Insurance.
- 6.4. Coverage Amounts.
- 6.5. Evidence of Insurance; Subcontractor's Insurance.
- 6.5.1. Certificates of Insurance.
- 6.5.2. Subcontractors' Insurance.
- 6.5.3. Insurer Requirements.
- 6.6. Contractor's Insurance Primary; Contractor Liability for Deductibles.
- 6.7. Indemnity.
- 6.8. Payment Bond; Performance Bond.
- 7. Contract Time**
- 7.1. Substantial Completion of the Work Within Contract Time.
- 7.2. Progress and Completion of the Work.
- 7.2.1. Time of Essence.
- 7.2.2. Substantial Completion.
- 7.2.3. Correction or Completion of the Work
- After Substantial Completion.
- 7.2.3.1. Punchlist.
- 7.2.3.2. Time for Completing Punchlist Items.
- 7.2.3.3. Final Completion.
- 7.2.3.4. Contractor Responsibility for Multiple Inspections.
- 7.2.4. Final Acceptance.
- 7.3. Construction Schedule.
- 7.3.1. Submittal of Preliminary Construction Schedule.
- 7.3.2. Review of Preliminary Construction Schedule.
- 7.3.3. Accepted Construction Schedule.
- 7.3.4. Revisions to Accepted Construction Schedule.
- 7.3.5. Updates to Accepted Construction Schedule.
- 7.3.6. Contractor Responsibility for Construction Schedule.
- 7.4. Adjustment of Contract Time.
- 7.4.1. Excusable Delays.
- 7.4.2. Compensable Delays.
- 7.4.3. Inexcusable Delays.
- 7.5. Liquidated Damages.
- 8. Contract Price**
- 8.1. Cost Breakdown of Contract Price.
- 8.2. Progress Payments.
- 8.2.1. Applications for Progress Payments ("Payment Applications").
- 8.2.2. District's Review of Payment Applications.
- 8.2.3. Review of Payment Applications.
- 8.3. District's Disbursement of Progress Payments.
- 8.3.1. Timely Disbursement of Progress Payments.
- 8.3.2. Untimely Disbursement of Progress Payments.
- 8.3.3. District's Right to Disburse Progress Payments by Joint Checks.
- 8.3.4. No Waiver of Defective or Non-Conforming Work.
- 8.3.5. Progress Payments for Changed Work.
- 8.3.6. Materials or Equipment Not Incorporated Into the Work.
- 8.3.7. Title to Work.
- 8.4. Substitute Security for Retention.
- 8.5. Final Payment.
- 8.5.1. Application for Final Payment.
- 8.5.2. Conditions Precedent to Disbursement of Final Payment.
- 8.5.3. Disbursement of Final Payment.
- 8.5.4. Waiver of Claims.
- 8.5.5. Claims Asserted After Final Payment.
- 8.6. Withholding of Payments.

8.7. Payments to Subcontractors.

9. Changes

- 9.1. Changes to the Work.
- 9.2. Oral Order of Change in the Work.
- 9.3. Contractor Submittal of Data.
- 9.4. Adjustment to Contract Price on Account of Changes to the Work.
 - 9.4.1. Mutual Agreement.
 - 9.4.2. Determination by the District.
 - 9.4.3. Basis for Adjustment of Contract Price.
 - 9.4.3.1. Labor.
 - 9.4.3.2. Materials and Equipment.
 - 9.4.3.3. Construction Equipment.
 - 9.4.4. Mark-up on Costs of Changes to the Work.
 - 9.4.5. Contractor Maintenance of Records.
- 9.5. Adjustment to Contract Time.
- 9.6. Addition or Deletion of Alternate Bid Item(s).
- 9.7. Change Orders.
- 9.8. Unilateral Change Order.
- 9.9. Construction Change Directive.
- 9.10. Contractor Notice of Changes.
- 9.11. Disputed Changes.
- 9.12. Minor Changes in the Work.
- 9.13. Unauthorized Changes.

10. Separate Contractors

- 10.1. District's Right to Award Separate Contracts.
- 10.2. District's Coordination of Separate Contractors.
- 10.3. Mutual Responsibility.
- 10.4. Discrepancies or Defects.

11. Tests; Inspections; Observations

- 11.1. Contractor's Notice.
- 11.2. Cost of Tests and Inspections.
- 11.3. Testing/Inspection Laboratory.
- 11.4. Additional Tests, Inspections and Approvals.
- 11.5. Delivery of Certificates.
- 11.6. Timeliness of Tests, Inspections and Approvals.

12. Uncovering and Correction of Work

- 12.1. Uncovering of Work.
- 12.2. Rejection of Work.
- 12.3. Correction of Work.
- 12.4. Removal of Non-Conforming or Defective Work.
- 12.5. Failure of Contractor to Correct Work.
- 12.6. Acceptance of Defective or Non-Conforming

Work.

13. Warranties

- 13.1. Workmanship and Materials.
- 13.2. Warranty Work.
- 13.3. Guarantee.
- 13.4. Survival of Warranties.

14. Suspension of Work

- 14.1. District's Right to Suspend Work.
- 14.2. Adjustments to Contract Price and Contract Time.

15. Termination

- 15.1. Termination for Cause.
 - 15.1.1. District's Rights Upon Termination.
 - 15.1.2. Completion by the Surety.
 - 15.1.3. Assignment and Assumption of Subcontracts.
 - 15.1.4. Costs of Completion.
 - 15.1.5. Conversion to Termination for Convenience.
 - 15.1.6. District's Rights Cumulative.
- 15.2. Termination for Convenience of the District.

16. Miscellaneous

- 16.1. Governing Law; Interpretation.
- 16.2. Successors and Assigns.
- 16.3. Cumulative Rights and Remedies; No Waiver.
- 16.4. Severability.
- 16.5. No Assignment by Contractor
- 16.6. Time of Essence.
- 16.7. Independent Contractor Status.
- 16.8. Notices.
- 16.9. Disputes; Continuation of Work.
- 16.10. Dispute Resolution; Arbitration.
 - 16.10.1. Claims Under \$375,000.00.
 - 16.10.2. JAMS Arbitration.
 - 16.10.3. Demand for Arbitration.
 - 16.10.4. Discovery.
 - 16.10.5. Arbitrator's Award.
 - 16.10.6. Costs.
 - 16.10.7. Confirmation of Arbitration Award.
 - 16.10.8. Inapplicability to Bid Bond.
 - 16.10.9. Government Code Claims.
- 16.11. Attorneys' Fees.
- 16.12. Provisions Required by the Laws Deemed Inserted.
- 16.13. Days.
- 16.14. Entire Agreement.

GENERAL CONDITIONS

1. Definitions

- 1.1. The Work. The "Work" is the construction and services required by the Contract Documents, and includes all labor, materials, equipment or services to fulfill the Contractor's obligations under the Contract Documents.
- 1.2. Surety. The Surety is the person or entity that executes, as surety, the Contractor's Labor and Material Payment Bond and/or Performance Bond.
- 1.3. Subcontractors. A Subcontractor is a person or entity who has a direct contract with the Contractor for a portion of the Work; Subcontractors include lower tier subcontractors, who are in direct privity of contract with a Subcontractor.
- 1.4. Material Supplier. A Material Supplier only furnishes materials, equipment or supplies for the Work without fabricating, installing or consuming them in the Work.
- 1.5. Drawings and Specifications. The Drawings are the graphic and pictorial portions of the Contract Documents, showing generally, the design, location and dimensions of the Work and may include plans, elevations, sections, details, schedules or diagrams. The Specifications are the written requirements for materials, equipment, construction systems, standards, criteria and workmanship.
- 1.6. Intent and Correlation of Contract Documents. The Contract Documents are complementary and what is required by one portion shall be by all; performance by the Contractor is required to the extent consistent with the Contract Documents and reasonably inferable therefrom as being necessary to produce the intended results. If a portion of the Contract Documents is silent and information appears elsewhere in the Contract Documents, such other portions of the Contract Documents shall control. Words or terms with well-known technical or construction industry meanings are used in the Contract Documents in accordance with such recognized meanings. Conflicts, inconsistencies or ambiguities in the Contract Documents shall be resolved by the Architect based on the following standards: the Drawings are intended to describe matters relating to placement, type, quantity and the like; the Specifications are intended to describe matters relating to quality, materials, compositions, manufacturers and the like. If conflicts exist between parts of the Contract Documents regarding the quality of any product, equipment or materials, the Contractor shall provide the product, equipment or material of the highest or more stringent quality.
- 1.7. Shop Drawings; Samples; Product Data ("Submittals"). Shop Drawings are diagrams, schedules and other data specially prepared for the Work to illustrate the installation, assembly or similar matters for a portion of the Work. Samples are physical examples of materials, equipment or workmanship to be incorporated into the Work. Product Data are illustrations, standard schedules, performance charts, instructions, brochures, diagrams and other information to illustrate materials or equipment for a portion of the Work. Shop Drawings, Samples and Product Data prepared by the Contractor or any Subcontractors/Material Suppliers are collectively referred to as "Submittals."
- 1.8. Division of State Architect ("DSA"). DSA is the California Division of the State Architect; references to "DSA" include its offices, employees and agents. The authority of the DSA over the Work and the performance thereof shall be as set forth in the Contract Documents and the Laws.
- 1.9. Project Inspector. The Project Inspector is employed by the District in accordance with the requirements of Title 24 of the California Code of Regulations. The Project Inspector is authorized to act on behalf of the District as provided for in the Contract Documents and in Title 24 of the California Code of Regulations.
- 1.10. Contract Document Terms. The term "provide" means "provide complete in place" or to "furnish and install" such item. Unless otherwise provided in the Contract Documents, the terms "approved;" "directed;" "satisfactory;" "accepted;" "acceptable;" "proper;" "required;" "necessary" and "equal" means as approved, directed, satisfactory, accepted, acceptable,

proper, required, necessary and equal, in the opinion of the Architect. The term “typical” as used in the Drawings shall require the installation or furnishing of such item(s) of the Work designated as “typical” in all other areas similarly marked as “typical”; Work in such other areas shall conform to that shown as “typical” or as reasonably inferable therefrom.

- 1.11. Record Drawings. The Record Drawings are the Drawings marked by the Contractor during the Work to indicate completely and accurately actual as-built conditions of the Work.
- 1.12. Construction Manager. The Construction Manager, if any, is designated in the Special Conditions and is authorized to act on behalf of the District in accordance with the Contract Documents. If a Construction Manager is not designated in the Special Conditions, the District may designate a Construction Manager during performance of the Work without adjustment of the Contract Price or the Contract Time or otherwise affect, limit or restrict Contractor’s obligations hereunder.
- 1.13. Construction Equipment. “Construction Equipment” is equipment utilized for the performance of any portion of the Work, but which is not incorporated into the Work.
- 1.14. Site. The Site is the physical area designated in the Contract Documents for Contractor’s performance, construction and installation of the Work.
- 1.15. Field Clarifications. A written or graphic document consisting of supplementary details, instructions or information issued on behalf of the District which clarifies or supplements the Contract Documents and which becomes a part of the Contract Documents upon issuance. Field Clarifications do not constitute Changes, unless a Change Order relating to a Field Clarification is authorized and issued.
- 1.16. Defective or Non-Conforming Work. Defective or Non-Conforming Work is any Work which is unsatisfactory, faulty or deficient by: (i) not conforming to the requirements of the Contract Documents; (ii) not conforming to the standards of workmanship of the applicable trade; (iii) not in compliance with the requirements of any inspection, reference, standard, test, or approval required by the Contract Documents; or (iv) damage occurring prior to Final Acceptance.
- 1.17. Notice to Proceed. The Notice to Proceed is the written notice issued by or on behalf of the District to the Contractor authorizing the Contractor to proceed with commencement of the Work and which establishes the date for commencement of the Contract Time.
- 1.18. Progress Reports; Verified Reports. Progress Reports are written reports prepared by the Contractor and its Subcontractors on a daily basis. Progress Reports must include: (i) the number of labor and supervising personnel at the Site; (ii) the labor/work classification of each laborer; (iii) a detailed description of the Work in progress and completed; (iv) weather/environmental conditions; and (v) problems encountered with a potential impact to the Contract Time or the Contract Price. Verified Reports are periodic written reports prepared by the Contractor and submitted to the DSA; Verified Reports shall be in such form and content as required by Title 24 of the California Code of Regulations.
- 1.19. Laws. “Laws” refer to all laws, ordinances, codes, rules and/or regulations promulgated by any governmental or quasi-governmental agency with jurisdiction over any portion of the Work and which apply to any portion of the Work, including those in effect as of the execution of the Agreement, amendments thereto and subsequently enacted Laws that take effect during the performance of the Work. No adjustment of the Contract Time or the Contract Price shall be allowed for the Contractor’s compliance with the Laws.

2. District

2.1. Information Required of District.

2.1.1. Surveys; Site Information. Information, if any, concerning physical characteristics of the Site, including without limitation, surveys, soils reports, and utility locations is set forth in the Contract Documents. Information not provided by the District but required to complete the Work shall be obtained by Contractor without adjustment to the Contract Price or the Contract Time.

The Contractor shall verify all information provided by the District. Variations between conditions or existing improvements depicted in the Contract Documents and those actually encountered in the performance of the Work shall not result in any District liability therefor, nor shall any such variations result in an adjustment of the Contract Time or the Contract Price.

2.1.2. Permits; Fees. Except as otherwise provided in the Contract Documents, the District shall secure and pay for necessary approvals, easements, assessments and charges required for construction of the Work.

2.1.3. Drawings and Specifications. The District shall furnish the Contractor, without cost to the Contractor, the number of copies of the Drawings and the Specifications as set forth in the Special Conditions. All of the Drawings and the Specifications provided by the District to the Contractor remain the property of the District; the Contractor shall not use the Drawings or the Specifications other than the Work of the Project.

2.2. District's Right to Stop the Work. The District may, by written order, direct the Contractor to stop any portion of the Work if the Contractor: (i) fails to correct Defective or Non-Conforming Work; or (ii) fails to carry out the Work in conformity to the Contract Documents. The right of the District to stop the Work hereunder shall not: (i) be deemed a duty of the District to exercise such right for the benefit of the Contractor; (ii) waive or limit the exercise of any other right or remedy of the District under the Contract Documents or the Laws; or (iii) result in adjustment of the Contract Time or the Contract Price.

2.3. Partial Occupancy or Use. The District may occupy or use any completed or partially completed portion of the Work. Immediately prior to such partial occupancy or use of the Work, the District, Project Inspector, Contractor, Construction Manager and Architect shall jointly inspect the portion of Work to be used or occupied by the District to record the condition of the Work. Corrective action noted in such inspection shall be promptly performed and completed by the Contractor so the Work conforms to requirements of the Contract Documents and the District's occupancy or use thereof is not impaired. The District's use or occupancy of the Work or portions thereof is not "completion" of the Work pursuant to Public Contract Code §7107 nor constitute the District's acceptance Defective or Non-Conforming Work.

2.4. The Project Inspector.

2.4.1. Authority. All Work shall be performed under the observation of the Project Inspector, whose authority is established by the Laws and the Contract Documents. Duties of the Project Inspector shall not relieve or limit the Contractor's performance of its obligations under the Contract Documents. The Project Inspector does not have authority: (i) to interpret the Contract Documents or to modify the Work depicted in the Contract Documents; or (ii) relating to the Contractor's safety plan. Upon the Project Inspector's issuance of a report or other similar statement identifying Defective or Non-Conforming Work, the Contractor shall promptly repair, replace or correct the same so that it conforms to requirements of the Contract Documents. If the Contractor fails or refuses to promptly remedy Defective or Non-Conforming Work, the District may remedy such Defective or Non-Conforming Work at the expense of the Contractor.

2.4.2. Facilities and Information for the Project Inspector. The Contractor shall provide to the Project Inspector all information, data and similar materials as necessary or appropriate for the Project Inspector's purposes of fulfilling the Project Inspector's obligations relating to observations and inspections of the Work. The Contractor shall provide, without adjustment of the Contract Price, for use by the Project Inspector, the District and Construction Manager the facilities, equipment, furnishings and services set forth in the Special Conditions. If the Contractor does not provide the facilities, furnishings, equipment and services set forth in the Special Conditions, or fails to pay timely any charges or fees arising out of the use of the same, the District may, as applicable, procure facilities, furnishings, equipment and services required

by the Contract Documents or pay outstanding charges, at the expense of the Contractor.

- 2.5. Communications Software. The District reserves the right to implement electronic data and/or communications software (such as Primavera Expedition®) for data and communications relating to the Work (“Communications Software”). The Contractor’s use of Communications Software will be as directed by the District without charge or expense to the Contractor and without adjustment of the Contract Price or the Contract Time.

3. Architect

- 3.1. Architect’s Administration of the Contract. The Architect will provide administration of the Contract and will be one of the District’s representatives during construction until the time that Final Payment is due the Contractor under the Contract Documents. The Architect is authorized to act on behalf of the District as provided for in the Contract Documents and shall have the responsibilities and authority over the Work as established by the Laws.
- 3.2. Periodic Site Inspections. The Architect will visit the Site at intervals appropriate to the stage of construction to: (i) become generally familiar with the progress and quality of the completed Work; and (ii) determine if the Work is being performed so that when completed will be in accordance with the Contract Documents. On the basis of Site observations as an architect, the Architect will keep the District informed of the progress of the Work, and endeavor to guard the District against defects and deficiencies in the Work. The Architect is authorized to reject Defective or Non-Conforming Work. The Architect may require additional inspections or tests, whether or not the Work is fabricated, installed or completed.
- 3.3. Contractor Responsibility for Construction Means, Methods and Sequences. The Architect will not have control over or charge of and will not be responsible for construction means, methods, techniques, sequences or procedures, or for safety precautions and programs in connection with the Work, these being solely the Contractor’s responsibility.
- 3.4. Submittals. The Architect will review and accept or take other appropriate action relating to Submittals for the limited purpose of checking for general conformance with information given and the design concept expressed in the Contract Documents. The Architect’s review of Submittals shall not: (i) relieve the Contractor of its obligations under the Contract Documents; (ii) constitute approval of safety measures, programs or precautions; or (iii) constitute the direction of construction means, methods, techniques, sequences or procedures. The Architect’s review and return of reviewed Submittals will conform to the time limits set forth in the Specifications, the Construction Schedule or other provisions of the Contract Documents. If no time limits are established in the foregoing, the Architect shall have fourteen (14) days for review and return of Submittals.
- 3.5. Changes; Change Orders. The Architect will prepare Change Orders, and may authorize minor Changes in the Work which do not result in adjustment of the Contract Time or the Contract Price. The Architect may issue Field Clarifications and Construction Change Directives.
- 3.6. Interpretation of Contract Documents. The Architect will interpret and decide matters concerning the requirements of the Contract Documents on written request of either the District or the Contractor. The Architect’s response to such requests will be made promptly and within the time limits agreed upon; if agreement establishing the time for the Architect’s review and response to requests is not reached, the Architect shall have fifteen (15) days after receipt of such request to respond thereto. Interpretations and decisions of the Architect will be

consistent with the intent of and reasonably inferable from the Contract Documents and will be in writing or in the form of drawings. The Architect's decisions on matters relating to aesthetic effect are final if consistent with the intent expressed in the Contract Documents.

- 3.7. Contractor Request for Information. If the Contractor encounters any condition which the Contractor believes, in good faith and with reasonable basis, is the result of an ambiguity, conflict, error or omission in the Contract Documents (collectively "the Conditions"), the Contractor must request information from the Architect necessary to address and resolve any such Conditions before proceeding with any portion of the Work affected or which may be affected by such Conditions. If the Architect reasonably determines that any of Contractor's request(s) for information: (i) does not reflect adequate or competent supervision or coordination by the Contractor or any Subcontractor; or (ii) does not reflect the Contractor's adequate or competent knowledge of the requirements of the Work or the Contract Documents; or (iii) is not justified for any other reason, Contractor shall be liable to the District for all costs incurred by the District to process, review, evaluate and respond to such request for information, including without limitation, fees of the Architect.
- 3.8. Communications; Architect's Role. All communications regarding the Work, the performance thereof or the Contract Documents shall be in writing; verbal communications shall be reduced to writing. Communications between the Contractor and the District shall be through the Architect or Construction Manager. All written communications between the Contractor and any Subcontractor, Material Supplier or others shall be available to the District for review, inspection and reproduction as requested from time to time.

4. The Contractor

4.1. Contractor Review of Contract Documents.

4.1.1. Examination of Contract Documents. The Contractor shall carefully study Contract Documents and information furnished by the District and shall immediately notify the Architect in writing of errors, inconsistencies or omissions discovered. If the Contractor performs any Work knowing, or with reasonable diligence should have known that, it involves an error, inconsistency or omission in the Contract Documents without prior notice to the Architect, the Contractor shall bear the costs for correction of the same.

4.1.2. Measurements, Layouts and Field Engineering. The Contractor shall take field measurements and verify field conditions at the Site. All field engineering required for laying out the Work and establishing grades for earthwork operations shall be by an engineer registered under the Laws and without adjustment of the Contract Price. The Contractor shall complete all surveys necessary for performance of the Work and for establishment, location, maintenance and preservation of benchmarks, reference points and stakes for the Work.

4.1.3. Drawings; Dimensions. Unless otherwise expressly provided, dimensions indicated in the Drawings are: (i) intended for reference only; and (ii) diagrammatic and schematic in nature. The Contractor is solely responsible for dimensioning and coordinating the Work of the Contract Documents. No Contract Price adjustment will be allowed on account of differences between actual dimensions and the dimensions indicated on the Drawings.

4.1.4. Work in Accordance With Contract Documents. The Contractor shall perform all of the Work in strict conformity with the Contract Documents and the Laws.

4.2. Site Investigation; Subsurface Conditions.

4.2.1. Subsurface Data. By executing the Agreement, the Contractor acknowledges that it has examined the boring data and other available subsurface data and has satisfied itself as to the character, quality and quantity of surface and subsurface materials, including without limitation, obstacles which may be encountered in performance of the Work. Subsurface data or other

soils investigation report provided by the District hereunder are not a part of the Contract Documents. Information contained in such data or report regarding subsurface conditions, elevations of existing grades, or below grade elevations are approximate only and is neither guaranteed or warranted by the District to be complete and accurate. The District assumes no responsibility for any conclusions or interpretations of the Contractor on the basis of available subsurface data or other information furnished by District under the Contract Documents.

4.2.2. Subsurface Conditions. If the Work involves digging trenches or other excavations that extend deeper than four (4) feet below the surface, the Contractor shall promptly and before the following conditions are disturbed, notify the Project Inspector, in writing, of any: (i) material that the Contractor believes may be material that is hazardous waste, as defined in California Health and Safety Code §25117, that is required to be removed to a Class I or Class II or Class III disposal site in accordance with provisions of existing law; (ii) subsurface or latent physical conditions at the site differing from those indicated; or (iii) unknown physical conditions at the site of any unusual nature, different materially from those ordinarily encountered and generally recognized as inherent in the Work or the character provided for in the Contract Documents. If the District determines that the conditions so materially differ or involve such hazardous materials requiring an adjustment to the Contract Price or the Contract Time, the District shall issue a Change Order in accordance with Article 9 hereof. Pursuant to California Public Contract Code §7104, disputes between the Contractor and the District as to any of the conditions listed in (i), (ii) or (iii) above, shall not excuse the Contractor from the completion of the Work within the Contract Time and the Contractor shall proceed with all Work to be performed under the Contract Documents.

4.3. Supervision and Construction Procedures.

4.3.1. Supervision of the Work. The Contractor shall supervise and direct performance of the Work, using the Contractor's best skill and attention. The Contractor is responsible to the District for acts and omissions of the employees, agents and representatives of the Contractor and Subcontractors.

4.3.2. Noise and Dust Control. The Contractor shall implement all measures necessary for noise and dust control during Work at the Site, including specific care to avoid deposits of airborne dust or airborne elements.

4.3.3. Clean-Up. The Contractor shall at all times keep the Site and all adjoining areas free from the accumulation of any waste material or rubbish. The Contractor shall maintain the Site in a "rake-clean" standard on a daily basis. The Project Inspector or Construction Manager may direct the Contractor's clean-up obligations hereunder. If the Contractor fails to clean up as provided for in the Contract Documents, the District may do so at the Contractor's expense.

4.3.4. Cutting and Patching. The Contractor is responsible for cutting, fitting or patching required to complete the Work or to make the component parts thereof fit together properly. The Contractor shall not damage or endanger any portion of the Work, or the fully or partially completed construction of the District or separate contractors by cutting, patching, excavation or other alteration.

4.3.5. Construction Utilities. The District will furnish and pay the costs of utility services for the Work as set forth in the Special Conditions; all other utilities necessary to complete the Work shall be obtained by the Contractor without adjustment of the Contract Price. The Contractor shall furnish and install temporary distributions of utilities at the Site as necessary for the Work, including utilities furnished by the District. All temporary distributions shall be removed by the Contractor upon completion of the Work. The costs of utility services obtained by the Contractor and the installation and removal of temporary distributions thereof are included in the Contract Price.

4.3.6. Existing Utilities; Removal, Relocation and Protection. Pursuant to California Government Code §4215, the District assumes responsibility for timely removal, relocation, or

protection of existing main or trunkline utility facilities located on the Site which are not identified in the Contract Documents. The Contractor shall be compensated for the costs of locating, repairing damage not due to the Contractor's failure to exercise reasonable care, and removing or relocating such utility facilities not indicated in the Contract Documents with reasonable accuracy and for Construction Equipment on the Site necessarily idled during such work. The Contractor shall not be assessed Liquidated Damages for delay in completion of the Work when such delay is caused by the failure of the District or the utility owner to provide for removal or relocation of such utility facilities. The District is not required to indicate existing service laterals or appurtenances if presence of such utilities on the Site can be inferred from the presence of other visible facilities, such as buildings, meters and junction boxes, on or adjacent to the Site. If the Contractor encounters utility facilities not identified in the Contract Documents, the Contractor shall immediately notify, in writing, the District, Project Inspector, Architect, Construction Manager and the utility owner. If such utility facilities are owned by a public utility, the public utility shall have the sole discretion to perform repairs or relocation work or permit the Contractor to do such repairs or relocation work at a reasonable price.

4.4. Conferences and Meetings. A material obligation of the Contractor is the attendance by the Contractor's supervisory and/or management personnel (who shall be authorized to act on behalf of the Contractor) at meetings relating to the Work, including weekly progress meetings. The Contractor is responsible for arranging for attendance by Subcontractors, Material Suppliers at meetings and conferences relating to the Work as necessary, appropriate or as requested by the District. All costs, expenses, charges or fees incurred by the Contractor in connection with attendance and participation meetings relating to the Work shall be without adjustment of the Contract Time or the Contract Price. The Architect or Construction Manager will prepare and distribute minutes reflecting the items addressed and actions taken at a meeting or conference. The Contractor shall have five (5) days after the date of distribution of minutes to notify the Construction Manager and Architect in writing of objections to such minutes. Failure of the Contractor to interpose objections within said five (5) days will result the minutes as distributed constituting the official record of the meeting or conference. Objections of Subcontractors or Material Suppliers to minutes shall be submitted to the Architect or Construction Manager through the Contractor. If the Contractor timely interposes objections or notes corrections, the resolution of such matters shall be addressed at the next scheduled meeting.

4.5. Labor and Materials.

4.5.1. Payment for Labor, Materials and Services. The Contractor shall provide and pay for labor, materials, equipment, tools, Construction Equipment and machinery, water, heat, utilities, transportation, and other facilities and/or services necessary for proper execution and completion of the Work, whether temporary or permanent and whether or not incorporated in the Work.

4.5.2. Employee Discipline and Competency. The Contractor shall enforce strict discipline and good order among employees of the Contractor, Subcontractors and all other persons performing any part of the Work at the Site. The Contractor shall not permit employment of unfit persons or persons not skilled in tasks assigned to them. The Contractor shall dismiss from its employ and direct any Subcontractor to dismiss from their employment any person deemed by the District to be unfit or incompetent to perform Work.

4.5.3. Contractor's Superintendent. The Contractor's superintendent shall at the Site at all times during the Work. The superintendent shall represent the Contractor and communications given to the superintendent shall be binding as if given to the Contractor. The Contractor shall submit to the District a written statement of the qualifications of the Contractor's proposed Superintendent. Acceptance of the Contractor's proposed Superintendent is subject to

establishing the Superintendent's: (i) skills, experience and other capabilities of the proposed Superintendent to supervise, coordinate and manage the Work; (ii) fluent verbal and written English language capabilities; (iii) competency in reading, comprehending and understanding Drawings, Specifications and other technical construction-related materials; and (iv) recent experience in completing construction projects similar to the Work within the budget and time established for such other construction projects. Upon acceptance of the Contractor's Superintendent, the Contractor shall not be change the Superintendent without prior consent of the District, unless the Superintendent: (i) is unsatisfactory to the Contractor; or (ii) is determined by the District to be unfit, incompetent or incapable of performing functions and responsibilities assigned.

4.5.4. Prohibition on Harassment. Any person engaging in a prohibited form of harassment is subject to immediate removal and thereafter excluded from the Site. Upon the District's receipt of any notice or complaint that a person performing Work at the Site has engaged in a prohibited form of harassment ("Worker"), the District will promptly undertake an investigation of such notice or complaint. If the District, after such investigation, reasonably determines that a prohibited form of harassment has occurred, the District will notify the Contractor of the same and direct that the Worker be immediately removed from the Site. Unless the District's determination is grossly negligent or without reasonable cause, District shall have no liability for directing the removal of any Worker determined to have engaged in a prohibited form of harassment nor shall the Contract Price or the Contract Time be adjusted on account thereof. The Contractor and the Surety shall defend, indemnify and hold harmless the Indemnified Parties from any and all claims, liabilities, judgments, awards, actions or causes of actions, including without limitation, attorneys' fees, which arise out of, or pertain in any manner to: (i) the assertion by any Worker that the direction of the District pursuant to the foregoing was improper; or (ii) the assertion by any person that a Worker has engaged in a prohibited form of harassment directed to or affecting such person.

4.5.5. Taxes. The Contractor shall pay, without adjustment of the Contract Price, all sales, consumer, use and other taxes for the Work or portions thereof provided by the Contractor under the Contract Documents.

4.6. Permits, Fees and Notices; Compliance With Laws.

4.6.1. Payment of Permits, Fees. Unless otherwise provided in the Contract Documents, the District shall secure and pay for the building permits, other permits, governmental fees, licenses and inspections necessary or required for the proper execution and completion of the Work. The foregoing notwithstanding: (i) the Contractor shall pay all fees, costs or other expenses associated with or arising in connection with Deferred Approval Items without adjustment of the Contract Price; and (ii) the Contractor shall obtain the following permits/approvals if applicable to the Work without adjustment of the Contract Price: (a) Temporary Fire Department plan check and permits for temporary material handling, storage and/or dispensing facilities for fuel, oil, liquid or gases; (b) industrial waste and AQMD permits relating to temporary facilities used in connection with any portion of the Work; (c) local business license; (d) traffic control, OSHA and offsite improvement permits; and (e) sewer, water, storm drain, gas tie plan check permits.

4.6.2. Compliance With Laws. The Contractor shall comply with and give notices required by the Laws and other orders of public authorities bearing on performance of the Work. All Work completed by the Contractor shall be in compliance with the Laws.

4.6.3. Notice of Variation From Laws. If the Contractor knows, or has reason to believe, that any portion of the Contract Documents are at variance with applicable Laws, the Contractor shall promptly notify the Architect, Construction Manager and the Project Inspector, in writing, of the same. If the Contractor performs Work knowing, or with reasonable diligence should have known, it to be contrary to the Laws without such notice to the Architect, Construction Manager and the Project Inspector, the Contractor shall assume full responsibility for such Work

and shall bear the attributable costs arising or associated therefrom, including without limitation, the removal, replacement or correction of the same.

4.6.4. DIR Registration. At all times during the Work, the Contractor shall be a DIR registered contractor. Performance of any Work by the Contractor without the Contractor being a DIR registered contractor at the time Work is performed is the Contractor's default in performance of a material obligation of the Contractor under the Contract Documents.

4.7. Submittals. Submittals are not part of the Contract Documents. Submittals shall demonstrate, for those portions of the Work for which Submittals are required, the manner in which the Contractor proposes to furnish, install or incorporate such Work in conformity with the information given and the design concept expressed in the Contract Documents.

4.7.1. Contractor's Submittals.

4.7.1.1. Prompt Submittals. All Submittals required by the Contract Documents shall be prepared, assembled and submitted by the Contractor to the Architect in a timely manner or within the time indicated in the Submittal Schedule incorporated into the Accepted Construction Schedule.

4.7.1.2. Contractor Approval of Subcontractor Submittals. All Submittals prepared by Subcontractors or Material Suppliers shall bear the written approval of the Contractor prior to submission to the Architect for review, with the approval indicating that the Contractor has verified materials, field measurements, field construction criteria, catalog numbers and similar data related thereto and has verified that the information contained within such Submittals conform to the requirements the Contract Documents. Any Submittal submitted without the Contractor's written approval will be returned to the Contractor for re-submittal in conformity herewith, with the same being deemed to not have been submitted. Submittals shall be numbered consecutively and include the following: (i) date of submission; (ii) project name; (iii) name of submitting Subcontractor; and (iv) if applicable, the revision number. The foregoing information is in addition to, and not in lieu of, any other information required for the Architect's review of Submittals.

4.7.1.3. Contractor Responsibility for Deviations. The Contractor is not relieved of responsibility for correcting deviations from the Contract Documents by the Architect's review of Submittals unless the Contractor specifically informs the Architect in writing of such deviation at the time of submission of the Submittal and the Architect accepts the specific deviation.

4.7.1.4. No Performance of Work Without Architect Review. The Contractor shall perform no portion of the Work requiring the Architect's review of Submittals until the Architect has completed its review and accepted the Submittal. The Contractor shall not perform any portion of the Work affected by a related Submittal until the related Submittal is reviewed and accepted by the Architect.

4.7.2. Architect Review of Submittals. If the Architect returns a Submittal as rejected or requiring correction(s) with re-submission, the Contractor shall promptly resubmit a Submittal conforming to the requirements of the Contract Documents; the resubmitted Submittal shall indicate the portions thereof modified in accordance with the Architect's direction. When professional certification of performance criteria of materials, systems or equipment is required by the Contract Documents, the Architect may rely on the accuracy and completeness of such calculations and certifications accompanying Submittals. The following notations or notations of a similar nature noted on a reviewed Submittal will require the Contractor action noted below.

Submittal Notation	Required Contractor Action
No Exceptions Taken	No formal revision required
Make Corrections Noted	Make revision noted; re-submission of revised Submittal not required.
Revise and Re-Submit	Revise Submittal in accordance with notations and re-submit for review.
Rejected Re-Submit	Prepare new alternative Submittal and re-submit for review.

4.7.3. Deferred Approval Items. If any portion of the Work is designated in the Contract Documents as a “Deferred Approval” item, Contractor is responsible for preparing Submittals for Deferred Approval Items. Where required by the Laws or the nature of a Deferred Approval, the Deferred Approval Design shall be completed and stamped by a California licensed architect or California registered engineer. The Deferred Approval Design shall: (i) incorporate all requirements of the Deferred Approval as set forth in the Contract Documents; (ii) be coordinated with other portions of the Work; (iii) be completed in a timely manner so as not to delay, disrupt or interfere with completion of the Work within the Contract Time; and (iv) be completed in accordance with the applicable professional standard of care. The Contractor shall submit each completed Deferred Approval Design to the Architect for review and acceptance. Upon the Architect’s acceptance of a Deferred Approval Design, the Contractor shall be responsible for: (i) submittal of the Deferred Approval Design to DSA for review and approval; (ii) modifications to the Deferred Approval Design as necessary to obtain DSA approval; and (iii) payment of fees or charges imposed by DSA for review and approval of a Deferred Approval Design without adjustment of the Contract Price. Notwithstanding review and acceptance of a Deferred Approval Design by the Architect or DSA issuance of approval to construct pursuant to the Contractor’s Deferred Approval Design, the Contractor remains liable to the District for all losses, damages, costs, or other consequences of the failure of any Contractor’s Deferred Approval Design to: (i) conform to the applicable design professional standard of care; (ii) conform to design intent and/or aesthetic requirements established in the Contract Documents; or (iii) perform and function in accordance with requirements established in the Contract Documents.

4.8. Materials and Equipment.

4.8.1. Approval of Substitutions or Alternatives. The Contractor may propose alternatives or substitutes for items specified in the Contract Documents (“Alternative Products”), provided that: (i) the Alternative Products comply with the requirements of the specified item; (ii) the Contractor certifies that the quality, performance capability and functionality (including aesthetics) of the Alternative Products meet or exceed the quality, performance capability and functionality of the specified item; and (iii) use of the Alternative Product will not delay completion of the Work or increase the Contract Price. The Contractor shall submit engineering, construction, dimension, visual, aesthetic and performance data (“Substantiating Data”) to the Architect to permit evaluation of the Alternative Products. The Contractor shall not furnish or install any Alternative Products without the Architect’s acceptance of the Alternative Products. The Architect’s decision evaluating the Contractor’s proposed Alternative Products shall be final. Neither the Contract Time nor the Contract Price shall be increased on account of any Alternative Products accepted by the Architect. The Contract Price shall be reduced by the actual cost savings realized by the Contractor’s furnishing and/or installation of accepted Alternative Products. The Contractor is solely responsible for all costs and fees incurred by the District to review proposed Alternative Products, including without limitation fees of the Architect, design consultants to the Architect and/or governmental agencies to review and/or approve any

proposed substitution or alternative. All requests for the Architect's review and approval of any Alternative Products and all Substantiating Data shall be submitted by Contractor not later than thirty-five (35) days following the date of the District's award of the Contract to Contractor; any request for approval of Alternative Products submitted thereafter may be rejected summarily. The foregoing process and time limits shall apply to any proposed Alternative Products regardless of whether the Alternative Products are furnished or installed by the Contractor, a Subcontractor or Material Supplier.

4.8.2. District Standard Products; "Sole Source" Products. If any material, equipment, product or other item ("Product") is designated in the Contract Documents as a "District Standard" or by similar words/terms, the District is deemed to have made a finding that such Product is designated and specified to match other Products in use in a completed or to be completed work of improvement and not subject to Alternative Products.

4.8.3. Placement of Material and Equipment Orders. The Contractor and Subcontractors shall promptly place all orders for materials and/or equipment for completion of the Work so that delivery of the same shall be made without delay or interruption to the Work. When requested by or on behalf of the District, the Contractor shall furnish written evidence of the placement of orders for materials and/or equipment necessary for completion of the Work, including without limitation, orders for materials and/or equipment to be provided, furnished or installed by any Subcontractor.

4.8.4. District's Right to Place Orders for Materials and/or Equipment. If the District determines, in its sole discretion, that orders for materials and/or equipment have not been placed in a manner so Substantial Completion is achieved within the Contract Time, the District shall have the right, but not the obligation, to place such orders on behalf of the Contractor. The Contractor shall reimburse the District for all costs and fees incurred by the District in placing such orders.

- 4.9. Safety. The Contractor is solely responsible for initiating, maintaining and supervising all safety programs required by the Laws or by the type or nature of the Work and for initiating and maintaining reasonable safety precautions to prevent damage, injury or loss to: (i) employees on the Work and other persons who may be affected thereby; (ii) the Work and materials and equipment to be incorporated therein, whether in storage on or off the Site or in transit; and (iii) other property or items at the Site, or adjacent thereto, such as trees, shrubs, lawns, walks, pavements, roadways, structures and utilities not designated for removal, relocation or replacement in the course of construction. The foregoing includes, without limitation, posting danger signs and other warnings against hazards, promulgating safety regulations and notifying owners and users of adjacent sites and utilities. Duties of the Contractor's Superintendent include prevention of accidents and the implementation of safety precautions and programs. In an emergency, the Contractor shall take necessary action to prevent or mitigate threatened damage, injury or loss.
- 4.10. Hazardous Materials; Prohibition on Use of Asbestos Construction Building Materials ("ACBMs"). If the Contractor or any Subcontractor uses, at the Site, or incorporates into the Work, any material or substance deemed to be hazardous or toxic under the Laws (collectively "Hazardous Materials"), the Contractor shall comply with the Laws relating to the use, storage or disposal thereof. It is the intent of the District that ACBMs not be used or incorporated into any portion of the Work. If any product or material forming a part of the Work or incorporated into the Work is found to contain ACBMs, the Contractor shall at its sole cost and expense: (i) remove such product or material in accordance with the Laws; (ii) replace such product or material with non-ACBM products or materials; and (iii) return the affected portion(s) of the Work to the finish condition depicted in the Contract Documents relating to such portion(s) of the Work. The foregoing obligations shall survive the termination of the Contract, the warranty period provided under the Contract Documents, completion of the Work or the District's

acceptance of the Work. If the Contractor fails or refuses, for any reason, to commence the removal and replacement of any material or product containing ACBMs forming a part of, or incorporated into the Work, within ten (10) days of the date of the District's written notice to the Contractor, the District may thereafter proceed to cause the removal and replacement of such materials or products; all costs, expenses and fees, including without limitation fees and costs of consultants and attorneys, shall be the joint and several responsibility of the Contractor and the Surety.

- 4.11. Maintenance of Record Drawings. During the Work, the Contractor shall continuously maintain Record Drawings consisting of a set of the Drawings marked to indicate all field changes to adapt the Work depicted in the Drawings to field conditions, Change Orders and all concealed or buried installations, including without limitation, piping, conduit and utility services. Record Drawings relating to the Structural, Mechanical, Electrical and Plumbing portions of the Work shall indicate without limitation, circuiting, wiring sizes, equipment/member sizing and shall depict the entirety of the as built conditions of such portions of the Work. If the District reasonably determines that the Contractor has not been, or is not, continuously maintaining the Record Drawings pursuant to the foregoing, the District may take appropriate action to cause the continuous maintenance of complete and accurate Record Drawings, at the Contractor's expense. Prior to receipt of the Final Payment, Contractor shall deliver the Record Drawings to the Architect.
- 4.12. Use of Site. The Contractor shall confine operations at the Site to areas permitted the Laws and the Contract Documents and shall not unreasonably encumber the Site or adjoining areas with materials or equipment. The Contractor is solely responsible for providing security at the Site with all such costs included in the Contract Price. Except in an emergency, no construction activities shall be permitted at or about the Site except during the hours and days set forth in the Special Conditions; Work performed at hours or on days not noted in the Special Conditions will not result in adjustment of the Contract Time or the Contract Price.
- 4.13. Access to the Work. The Contractor shall provide DSA, District, Construction Manager, the Project Inspector and Architect with access to the Work, whether in place, preparation and progress and wherever located.
- 4.14. Patents and Royalties. The Contractor and the Surety shall defend, indemnify and hold harmless the District and its agents, employees and officers from any claim, demand or legal proceeding arising out of or pertaining, in any manner, to any actual or claimed infringement of patent rights in connection with performance of the Work under the Contract Documents.
- 4.15. Wage Rates; Employment of Labor.
- 4.15.1. Payment of Prevailing Rates. There shall be paid each worker of the Contractor and Subcontractors engaged in the Work, not less than the general prevailing wage rate, regardless of any contractual relationship which may be alleged to exist between the Contractor or any Subcontractor and such worker. During the Work and pursuant to Labor Code §1771.4(a)(4), the Department of Industrial Relations will monitor and enforce the obligation of the Contractor and Subcontractors to pay laborers at least the Prevailing Wage Rate established for the classification of work/labor performed.
- 4.15.2. Prevailing Rate Penalty. If a worker of the Contractor or a Subcontractor is paid less than the prevailing wage rate for the work or craft provided by the worker, the Contractor and/or Subcontractor shall be subject all penalties and assessments established by the Laws.
- 4.15.3. Certified Payroll Records. The Contractor and all Subcontractors shall prepare and submit Certified Payroll Records to the Labor Commissioner in compliance with requirements

established in Labor Code §1771.4. The form and content of Certified Payroll Records shall be as established by the Labor Commissioner and the frequency of Certified Payroll Records submittal to the Labor Commissioner shall be pursuant to Labor Code §1771.4. Pursuant to California Labor Code §1776, the Contractor and each Subcontractor shall keep accurate payroll records, showing the name, address, social security number, work classification, straight time and overtime hours worked each day and week, and the actual per diem wages paid to each person employed for the Work. The payroll records shall be certified and available for inspection at all reasonable hours at the principal office of the Contractor in accordance with the Laws. If the Contractor and/or Subcontractor fail or refuse to produce payroll records as required by the Laws, the Contractor and/or Subcontractor shall be subject to all penalties and assessments under the Laws as a result of such failure or refusal.

4.15.4. Hours of Work. The Contractor and Subcontractors shall limit the hours of work by their respective workers to those permitted by the Laws. Hours of work exceeding those permitted by the Laws shall be subject to additional premium wage payments as required by the Laws. Failure of the Contractor or Subcontractors to comply with the foregoing will subject the Contractor and/or Subcontractor to all penalties and assessments under the Laws.

- 4.16. Apprentices. Apprentices for the Work shall be in strict conformity with the Laws, including without limitation, Labor Code §§1777.5 through 1777.7, the provisions of which are incorporated herein by this reference. The responsibility for compliance with apprenticeship requirements is solely and exclusively that of the Contractor. If the Contractor willfully fails to comply with these provisions and California Labor Code §1777.5, pursuant to California Labor Code §1777.7, the Contractor shall be subject to all penalties and assessments established by the Laws.
- 4.17. Employment of Independent Contractors. Pursuant to California Labor Code §1021.5, Contractor shall not willingly and knowingly enter into any agreement with any person, as an independent contractor, to provide services for the Work where the services provided or to be provided requires the person to hold a valid California Contractors' license and such person does not meet the burden of proof of his/her independent contractor status pursuant to California Labor Code §2750.5. Employment of any person in violation of the foregoing, will subject the Contractor to the civil penalties under California Labor Code §1021.5 and any other penalty provided by the Laws. All Subcontractors shall comply with the foregoing.
- 4.18. Assignment of Antitrust Claims. The Contractor and all Subcontractors assign to the District all rights, title and interest in and to all causes of action they may have under Section 4 of the Clayton Act, (15 U.S.C. §15) or under the Cartwright Act (California Business and Professions Code §§16700 et seq.) pursuant to California Government Code §4551. This assignment shall be made and become effective at the time the District tenders Final Payment to the Contractor, without further acknowledgment by the parties.
- 4.19. Progress Reports; DSA Verified Reports.
- 4.19.1. DSA Verified Reports: Contractor Actions. A material obligation of the Contractor is completion of all actions and activities which by the Contract Documents or by the Laws are the responsibility of the Contractor relating to DSA reporting requirements pursuant to Education Code §81141 (including amendments thereto) and issuance of DSA's Certificate of Compliance for the Project pursuant to Education Code §81147 (including amendments thereto) upon completion of the Work. The foregoing shall include without limitation, the timely preparation, completion and filing of Verified Reports during Project construction and the filing of the Final Verified Report with DSA within ten (10) days of the determination of Final Completion. Concurrently with submittal to DSA, the Contractor shall provide the District, Project Inspector

and Architect with copies of all Verified Reports completed by the Contractor and submitted to DSA.

4.19.2. District Withholdings From Final Payment. The completion and filing of the DSA Final Verified Report is an express condition precedent to the District's disbursement of the Final Payment. If the Contractor fails to prepare and file the Final Verified Report within ten (10) days of the determination of Final Completion, the District may retain and withhold an amount not to exceed ten percent (10%) of the Final Payment from disbursement to the Contractor as damages for the failure of the Contractor to have timely and completely discharged its obligations hereunder. The Contractor acknowledges and agrees that the foregoing withholdings by the District is a reasonable estimate of the damages and other losses the District will sustain due to the failure of the Contractor to have timely and fully discharged its obligations hereunder.

4.19.3. Progress Reports. Progress Reports shall be submitted to the District or Construction Manager not later than 9:00 A.M. of the ensuing business day.

5. Subcontractors.

5.1. Subcontracts. Work performed by Subcontractors shall be pursuant to a written agreement between the Contractor and each Subcontractor which specifically incorporates by reference the Contract Documents and which specifically binds the Subcontractor to the applicable terms and conditions of the Contract Documents, including without limitation, the policies of insurance required under Article 6 of these General Conditions and obligates the Subcontractor to assume toward the Contractor and Architect all the obligations and responsibilities of the Contractor which the Contractor assumes toward the District and the Architect. No contractual relationship shall exist, or deemed to exist, between any Subcontractor and the District, unless the Contract is terminated and District, in writing, elects to assume the Subcontract. Each Subcontract shall provide that such Subcontract may be assigned to the District if the Contract is terminated by the District pursuant to these General Conditions, subject to the prior rights, if any, of the Surety.

5.2. Subcontractor DIR Contractor Registration.

5.2.1. No Subcontractor Performance of Work Without DIR Registration. No portion of the Work is permitted to be performed by a Subcontractor unless the Subcontractor is a DIR Registered contractor. The foregoing DIR contractor registration requirement is applicable for all Subcontractors, including without limitation, lower tier Subcontractors and Subcontractors who are not identified in the Contractor's Subcontractors List.

5.2.2. Contractor Obligation to Verify Subcontractor DIR Registration Status. An affirmative and on-going obligation of the Contractor under the Contract Documents is the Contractor's verification that all Subcontractors are at all times during performance of the Work in full and strict compliance with DIR contractor registration requirements. The Contractor shall not permit or allow any Subcontractor to perform any Work without the Contractor's verification that the Subcontractor is in full and strict compliance with DIR contractor registration requirements.

5.2.3. Contractor Obligation to Request Substitution of Listed Subcontractor Who Is Not DIR Registered Contractor. If any Subcontractor identified in the Contractor's Subcontractors List submitted with the Contractor's proposal for the Work is not a DIR registered contractor at the time of opening of proposals for the Work or if a Subcontractor's DIR contractor registration lapses prior to or during a Subcontractor's performance of Work, the Contractor shall request the District's consent to substitute the Subcontractor who is not a DIR registered contractor pursuant to Labor Code §1771.1(c)(3) and/or Labor Code §1771.1(d).

5.3. Substitution of Listed Subcontractor.

5.3.1. Substitution Process. Any request of the Contractor to substitute a listed Subcontractor

must be in strict conformity with this Article 5.2 and California Public Contract Code §4107. All costs, fees or expenses incurred by the District, including, those of the Project Inspector, Architect and/or Construction Manager or attorneys in review, evaluation or hearing relating to a request to substitute a listed Subcontractor shall be borne by the Contractor.

5.3.2. Responsibilities of Contractor Upon Substitution of Subcontractor. The District's consent to Contractor's substitution of a listed Subcontractor shall not result in any increase of the Contract Price or the Contract Time.

- 5.4. **Subcontractors' Work.** Whenever the Work of a Subcontractor is dependent upon the Work of the Contractor or another Subcontractor, the Contractor shall require the Subcontractor to: (i) coordinate its Work with the dependent Work; (ii) provide necessary dependent data and requirements; (iii) supply and/or install items to be built into the dependent Work of others; (iv) make appropriate provisions for dependent Work of others; (v) carefully examine and understand the portions of the Contract Documents (including Drawings, Specifications and Field Clarifications) and Submittals relating to the dependent Work; and (vi) examine the existing dependent Work and verify that the dependent Work is in proper condition for the Subcontractor's Work.

6. Insurance, Indemnity and Bonds.

- 6.1. **Workers' Compensation Insurance; Employer's Liability Insurance.** The Contractor shall purchase and maintain: (i) Workers' Compensation Insurance covering claims under workers' or workmen's compensation, disability benefit and other similar employee benefit acts; and (ii) Employer's Liability Insurance covering bodily injury (including death) by accident or disease to any employee which arises out of the employee's employment by Contractor.
- 6.2. **Commercial General Liability and Property Insurance.** The Contractor shall purchase and maintain Commercial General Liability and Property Insurance covering the types of claims set forth below which may arise out of or result from Contractor's operations under the Contract Documents and for which the Contractor may be legally responsible: (i) claims for damages because of bodily injury, sickness or disease or death of any person other than the Contractor's employees; (ii) claims for damages insured by usual personal injury liability coverage which are sustained (a) by a person as a result of an offense directly or indirectly related to employment of such person by the Contractor, or (b) by another person; (iii) claims for damages, other than to the Work itself, because of injury to or destruction of tangible property, including loss of use resulting therefrom; (iv) claims for damages because of bodily injury, death of a person or property damages arising out of ownership, maintenance or use of a motor vehicle; (v) contractor's pollution liability; (vi) contractual liability insurance applicable to the Contractor's obligations under the Contract Documents; and (vii) Completed Operations.
- 6.3. **Builder's Risk "All-Risk" Insurance.** The Contractor shall obtain Builder's Risk "All-Risk" Insurance covering vandalism and malicious mischief, fire, sprinkler leakage, civil authority, sonic boom, collapse and flood upon the entire Work, including completed Work and Work in progress to the full insurable value thereof. Contractor's Builders Risk Insurance shall include seismic coverage if so indicated in the Special Conditions. Such insurance shall include the District as an additional named insured, and any other person with an insurable interest designated by the District as an additional named insured. The risk of damage to the Work due to the perils covered by the Builder's Risk "All Risk" Insurance, as well as any other hazard which might result in damage to the Work, is that of the Contractor and the Surety, and no claims for such loss or damage shall be recognized by the District, nor will such loss or damage excuse the complete and satisfactory performance of the Contract by the Contractor.

- 6.4. Coverage Amounts. The insurance required of the Contractor hereunder shall be written for not less than any limits of liability specified in the Contract Documents, or required by the Laws, whichever is greater.
- 6.5. Evidence of Insurance; Subcontractor's Insurance.
- 6.5.1. Certificates of Insurance. Prior to commencing the Work, Contractor shall deliver Certificates of Insurance to the District evidencing the insurance coverages required by the Contract Documents. The Certificates of Insurance shall contain a provision that coverages under such policies will not be canceled or expire until at least thirty (30) days prior written notice has been given to the District. The insurance policies required of Contractor hereunder shall also name the District as an additional insured as its interests may appear.
- 6.5.2. Subcontractors' Insurance. Each Subcontractor shall obtain and maintain the policies of insurance set forth in Articles 6.1 and 6.2 with minimum coverage limits as set forth in the Special Conditions. The policies of insurance to be obtained and maintained by Subcontractors hereunder are in addition to, and not in lieu of, the Contractor's insurance obligations. Each policy of insurance of a Subcontractor shall conform to the requirements of this Article 6. The Contractor shall promptly deliver Certificates of Insurance to the District evidencing that the Subcontractors have obtained and maintained policies of insurance in conformity with the requirements of this Article 6.
- 6.5.3. Insurer Requirements. Policies of insurance required of the Contractor and Subcontractors hereunder shall be acceptable to the District only if the insurer issuing each such policy of insurance is A.M. Best rated at least A-/VII and authorized by the Laws to issue policies of insurance in California.
- 6.6. Contractor's Insurance Primary; Contractor Liability for Deductibles. All insurance coverages maintained by Contractor hereunder, if overlapping with any policy of insurance maintained by the District, shall be deemed to be primary and non-contributing with any policy maintained by the District and any policy or coverage thereunder maintained by District shall be deemed excess insurance. If the District maintains a policy of insurance covering property damage arising out of the perils of fire or other casualty covered by the Contractor's Builder's Risk Insurance or the Comprehensive General Liability Insurance of the Contractor or any Subcontractor, the District, Contractor and all Subcontractors waive rights of subrogation against the others. The costs for obtaining and maintaining the insurance coverages required of the Contractor and Subcontractors shall be included in the Contract Price. The Contractor is solely and exclusively responsible for payment of deductibles under any policy of insurance obtained and maintained by the Contractor or any Subcontractor.
- 6.7. Indemnity. Unless arising solely out of the active negligence, gross negligence or willful misconduct the District, Construction Manager, Project Inspector or Architect, the Contractor shall indemnify, defend and hold harmless the Indemnified Parties who are: (i) the District, its Board of Trustees and each individual member thereof, and the officers, employees, agents and representatives of the District; (ii) the Architect and its consultants for the Work and their respective agents and employees; (iii) the Project Inspector; and (iv) the Construction Manager and its agents and employees. The Contractor's obligations hereunder includes indemnity, defense and hold harmless of the Indemnified Parties from and against any and all damages, losses, claims, demands or liabilities whether for damages, losses or other relief, including, without limitation attorneys' fees and costs which arise, in whole or in part, from the Work, the Contract Documents or the acts, omissions or other conduct of the Contractor, Subcontractor or any person or entity engaged by them for the Work. The Contractor's obligations under the foregoing include without limitation: (i) injuries to or death of persons; (ii) damage to property; (iii) theft, loss or destruction of property; (iv) Stop Payment Notice claims asserted in

connection with the Work; and (v) other losses, liabilities, damages or costs resulting from, in whole or part, any acts, omissions or other conduct of Contractor, any Subcontractor, or any other person or entity employed directly or indirectly by Contractor or a Subcontractor in connection with the Work and their respective agents, representatives, officers or employees. If any action or proceeding is commenced on account of any claim, demand or liability subject to Contractor's obligations hereunder, and any of the Indemnified Parties are a party thereto, the Contractor shall, at its sole cost and expense, defend the Indemnified Parties in such action or proceeding with counsel reasonably satisfactory to the named Indemnified Parties. If there is any judgment, award, ruling, settlement, or other relief arising out of any such action or proceeding to which any of the Indemnified Parties are bound by, the Contractor shall pay, satisfy or otherwise discharge any such judgment, award, ruling, settlement or relief; Contractor shall indemnify and hold harmless the Indemnified Parties from any and all liability or responsibility arising out of any such judgment, award, ruling, settlement or relief. The Contractor's obligations hereunder are binding upon Contractor's Performance Bond Surety and these obligations shall survive notwithstanding Contractor's completion of the Work or the termination of the Contract, until barred by the applicable Statute of Limitations.

- 6.8. Payment Bond; Performance Bond. Prior to commencing the Work, the Contractor shall obtain and deliver to the District a Performance Bond and a Labor and Material Payment Bond each in a penal sum equal to one hundred percent (100%) of the Contract Price and in the form and content set forth in the Contract Documents. The Surety issuing bonds shall be an Admitted Surety Insurer as defined in California Code of Civil Procedure §995.120 and A.M. Best rated at least A-/VII. Obligations of the Surety under the Performance Bond include without limitation, the Contractor's post-construction obligations, including timely and complete performance of warranty/guarantee obligations.

7. Contract Time

- 7.1. Substantial Completion of the Work Within Contract Time. The Contract Time is the period of time, including authorized adjustments thereto, for achieving Substantial Completion of the Work. The date for commencement of the Work is the date established in the Notice to Proceed issued by the District pursuant to the Agreement, which shall not be postponed by the failure to act of the Contractor or of persons or entities for which the Contractor is responsible. The date of Substantial Completion is the date certified by the Architect, Construction Manager and Project Inspector.
- 7.2. Progress and Completion of the Work.
- 7.2.1. Time of Essence. Time limits stated in the Contract Documents are of the essence. The Contractor shall employ and supply a sufficient force of workers, material and equipment, and prosecute the Work with diligence so as to maintain progress, to prevent Work stoppage and to achieve Substantial Completion of the Work within the Contract Time.
- 7.2.2. Substantial Completion. Substantial Completion is when the Work is complete in accordance with the Contract Documents so the District can occupy or use the Work for its intended purpose. Substantial Completion shall be determined by the Architect, Construction Manager and Project Inspector upon request by the Contractor. The good faith and reasonable determination of Substantial Completion by the Project Inspector, Construction Manager and the Architect shall be controlling and final.
- 7.2.3. Correction or Completion of the Work After Substantial Completion.
- 7.2.3.1. Punchlist. Upon achieving Substantial Completion of the Work, the District, The Project Inspector, Construction Manager, Architect and Contractor shall jointly inspect the Work and prepare a comprehensive list of items of the Work to be corrected or completed by the Contractor ("the Punchlist"). The exclusion of an item

on the Punchlist shall not limit the Contractor's obligation to complete or correct any portion of the Work in accordance with the Contract Documents.

7.2.3.2. Time for Completing Punchlist Items. The Construction Manager, Contractor and Architect shall, establish a reasonable time for Contractor's completion of the Punchlist. If mutual agreement is not reached, the Architect shall determine such time, which is final and binding upon the District and Contractor so long as the Architect's determination is made in good faith. The Contractor shall promptly and diligently complete all Punchlist items within the time established. If the Contractor fails to complete the Punchlist within the time established, the Contractor shall be subject to assessment of Liquidated Damages and the District may in its sole and exclusive discretion, without further notice to Contractor, elect to cause the completion of all remaining Punchlist items provided, however, that such election by the District is in addition to and not in lieu of any other right or remedy of the District under the Contract Documents or the Laws, including assessment of Liquidated Damages. If the District elects to complete Punchlist items of the Work, pursuant to the foregoing, the Contractor shall be responsible for all costs incurred by the District in connection herewith. If these costs exceed the remaining Contract Price due to the Contractor, the Contractor and the Performance Bond Surety are jointly and severally liable to District for any such excess costs.

7.2.3.3. Final Completion. Final Completion is when all Work has been completed in accordance with the Contract Documents, including without limitation, completion of the Punchlist, the Contractor's close-out responsibilities under the Contract Documents have been fully performed. Final Completion shall be determined by the Architect, Construction Manager and Project Inspector upon request of the Contractor. The good faith and reasonable determination of Final Completion by the Project Inspector, Construction Manager and Architect shall be controlling and final.

7.2.3.4. Contractor Responsibility for Multiple Inspections. If the Contractor requests determination of Substantial Completion or Final Completion and the Project Inspector, Construction Manager or Architect determine that the Work does not then justify certification of Substantial Completion or Final Completion and re-inspection is required at a subsequent time to make such determination, the Contractor shall be responsible for all costs of such re-inspection, including without limitation, the fees of the Architect, Construction Manager and Project Inspector.

7.2.4. Final Acceptance. Final Acceptance of the Work shall occur upon acceptance of the Work by the District's Board of Trustees; such acceptance shall be submitted for consideration at a regularly scheduled meeting of the District's Board of Trustees after the determination of Final Completion. The commencement of any warranty or guarantee period under the Contract Documents the date of Final Acceptance.

7.3. Construction Schedule.

7.3.1. Submittal of Preliminary Construction Schedule. Within five (5) days following execution of the Agreement, the Contractor shall prepare and submit to the District, Construction Manager and Architect a Preliminary Construction Schedule indicating, in graphic form, the estimated rate of progress and sequence of all Work required under the Contract Documents. As required by the District or Construction Manager, the Construction Schedules shall; (i) be prepared with a commercially available computer software program in a critical path format; (ii) indicate the date(s) for commencement and completion of various portions of the Work including without limitation, procurement, fabrication and delivery of major items, materials or equipment; (iii) identify each Submittal required by the Contract Documents, the date for the Contractor's submission of each Submittal and the date for the return of the reviewed Submittal to the

Contractor. Any "float" time (the time between earliest finish date and the latest finish date of an activity shown on the Construction Schedule) incorporated into the Construction Schedules is jointly owned by the District and the Contractor.

7.3.2. Review of Preliminary Construction Schedule. The District and Construction Manager will review the Preliminary Construction Schedule for conformity with the requirements of the Contract Documents. Comments of the District will be returned to the Contractor with the reviewed Preliminary Construction Schedule.

7.3.3. Accepted Construction Schedule. Within ten (10) days of the District's return of the Preliminary Construction Schedule to the Contractor, the Contractor shall prepare and submit to the District and Construction Manager a revised Construction Schedule incorporating therein the comments to the Preliminary Construction Schedule and submit the same to the District and the Construction Manager for review and acceptance. The review and revision of the Preliminary Construction Schedule shall continue until the District has accepted the entirety of the Construction Schedule, referred to herein as the "Accepted Construction Schedule."

7.3.4. Revisions to Accepted Construction Schedule. If the progress of the Work or the sequencing of the activities of the Work materially differs from that indicated in the Accepted Construction Schedule, as determined by the District in its reasonable discretion and judgment, the District may direct the Contractor to revise the Accepted Construction Schedule; within fifteen (15) days of the District's direction, the Contractor shall prepare and submit to the District and Construction Manager a revised Accepted Construction Schedule for review and acceptance by the District. If a Revised Accepted Construction Schedule is accepted by the District, the Contractor's performance of Work shall conform to such Revised Accepted Construction Schedule.

7.3.5. Updates to Accepted Construction Schedule. The Contractor shall update the Accepted Construction Schedule on a monthly basis, or more frequently as required by the conditions or progress of the Work, or as requested by the District. On or before the fifth (5th) day of each month, the Contractor shall deliver to the District and Construction Manager an updated Accepted Construction Schedule indicating progress achieved and activities commenced or completed in the prior updated Accepted Construction Schedule. If requested by the District, the Contractor shall also submit, with its updated Accepted Construction Schedules a narrative statement describing current and anticipated problem areas of the Work, delaying factors and their impact, and an explanation of corrective action taken or proposed by the Contractor. If the progress of the Work is behind that indicated in the Accepted Construction Schedule, the Contractor's narrative statement shall indicate what measures will be taken to place the Work back on schedule. The Contractor's preparation and submittal of the narrative described above is a material obligation of the Contractor.

7.3.6. Contractor Responsibility for Construction Schedule. The Contractor is responsible for preparation, submittal and maintenance of the Construction Schedules required by the Contract Documents. Failure of the Contractor to do so is the Contractor's default in the performance of a material obligation of the Contractor under Contract Documents. All costs or expenses incurred relating to Construction Schedules shall be solely that of the Contractor without adjustment of the Contract Price.

7.4. Adjustment of Contract Time. If Substantial Completion is delayed, adjustment, if any, to the Contract Time on account of such delay shall be in accordance with this Article 7.4.

7.4.1. Excusable Delays. If Substantial Completion of the Work is delayed by Excusable Delays, the Contract Time shall be subject to adjustment for such reasonable period of time as determined by the Architect; Excusable Delays shall not result in any increase in the Contract Price. Excusable Delays are unforeseeable and unavoidable casualties or causes beyond the control, and without fault or neglect, of the Contractor, or other person directly or indirectly engaged by the Contractor for any portion of the Work, including unanticipated and unavoidable

labor disputes, unusual and unanticipated delays in transportation of equipment, materials or Construction Equipment reasonably necessary for completion and proper execution of the Work, unanticipated unusually severe weather conditions or DSA directive to stop the Work which is not the result of the failure of the Contractor to comply with the Contract Documents. The financial resources of the Contractor or any person or entity directly or indirectly engaged by the Contractor for the Work are not conditions beyond the control of the Contractor. If an Excusable Delay occurs, the Contract Time shall be subject to adjustment hereunder only if the Contractor establishes: (i) full compliance with all applicable provisions of the Contract Documents for Contractor's notice and request for adjustment of the Contract Time; (ii) that the event(s) justifying adjustment of the Contract Time are outside the reasonable control and without any fault or neglect of the Contractor or any person or entity directly or indirectly engaged by the Contractor or a for any portion of the Work; and (iii) that the event(s) justifying adjustment of the Contract Time directly and adversely impacted the progress of the Work on the critical path of the then current Accepted Construction Schedule relative to the date(s) of the claimed event(s) of Excusable Delay. If the Special Conditions set forth a number of "Rain Days" to be anticipated during performance of the Work, the Contract Time shall not be adjusted for rain-related unusually severe weather conditions until the actual number of Rain Days during performance of the Work exceeds those noted in the Special Conditions and such additional Rain Days shall have directly and adversely impacted the progress of the Work on the critical path of the then current Accepted Construction Schedule relative to the date(s) of such additional Rain Days.

7.4.2. Compensable Delays. If Substantial Completion of the Work is delayed by the acts or omissions of the District, the Construction Manager, the Architect, or separate contractor employed by the District (collectively "Compensable Delays"), upon Contractor's request and notice, in strict conformity with Articles 7 and 9 of these General Conditions, the Contract Time will be adjusted for such reasonable period of time as determined by the Construction Manager and District. Pursuant to California Public Contract Code §7102, if the Contractor's progress is delayed by any of the events described in the preceding sentence, Contractor shall not be precluded from the recovery of damages directly and proximately resulting therefrom, provided that the District is liable for the delay, the delay is unreasonable under the circumstances involved and the delay was not within the reasonable contemplation of the District and the Contractor at the time of execution of the Agreement. In such event, Contractor's damages, if any, shall be limited to direct, actual and unavoidable additional costs of labor, materials, equipment or Construction Equipment directly resulting from such delay, and shall exclude indirect or other consequential damages. Except as expressly provided for herein, Contractor shall not have any other claim, demand or right to adjustment of the Contract Price arising out of delay, interruption, hindrance or disruption to the progress of the Work. Adjustments to the Contract Price and the Contract Time, if any, on account of Changes to the Work or Suspension of the Work shall be governed by the applicable provisions of the Contract Documents.

7.4.3. Inexcusable Delays. Inexcusable Delays refer to any delay to the progress of the Work caused by events or factors other than those specifically identified in Articles 7.4.1 and 7.4.2 above. Neither the Contract Price nor the Contract Time shall be adjusted on account of Inexcusable Delays.

- 7.5. Liquidated Damages. If the Contractor fails to: (i) submit Submittals in accordance with the Accepted Construction Schedule or in a timely manner; (ii) achieve Substantial Completion of the Work within the Contract Time, (subject to adjustments authorized under the Contract Documents); or (iii) complete Punchlist items within the time established, the Contractor shall be liable to the District for per diem Liquidated Damages set forth in the Special Conditions, not as a penalty but as Liquidated Damages which are agreed upon because of the difficulty of fixing the District's actual damages. The Contractor and the District agree that said amounts

are reasonable estimates of the District's damages in such event, and that such amounts do not constitute a penalty. The Contractor and the Surety shall be jointly and severally liable to the District for any Liquidated Damages liability of the Contractor exceeding the Contract Price then held or retained by the District. The Contractor and the District acknowledge and agree that the provisions of this Article 7.5 are reasonable under the circumstances existing at the time of the Contractor's execution of the Agreement.

8. Contract Price

8.1. Cost Breakdown of Contract Price. Within fifteen (15) days of the execution of the Agreement by Contractor, Contractor shall furnish, on forms provided by the District, a detailed estimate and complete Cost Breakdown of the Contract Price. The Cost Breakdown shall be subject to the District's review and acceptance of the content thereof. If the District objects to any portion of the Cost Breakdown, within five (5) days of the Contractor's receipt of the District's written objection(s), Contractor shall submit a revised Cost Breakdown to the District for review and acceptance. The foregoing procedure shall continue until the District has accepted of the entirety of the Cost Breakdown. The Cost Breakdown accepted by the District shall not be modified by the Contractor without the prior consent of the District, which may be granted, conditioned or denied in the sole discretion of the District.

8.2. Progress Payments.

8.2.1. Applications for Progress Payments ("Payment Applications"). During performance of the Work, the Contractor shall submit monthly Payment Applications, on the first (1st) working day of each month, to the Construction Manager, Project Inspector and Architect, on forms approved by the District, setting forth an itemized estimate of Work completed in the preceding month for the purpose of the District's making of Progress Payments thereon. Values utilized in Payment Applications shall be based upon the District accepted Cost Breakdown.

8.2.2. District's Review of Payment Applications. In accordance with Public Contract Code §20104.50, upon receipt of a Payment Application, the District shall cause the same to be reviewed by the Project Inspector, Construction Manager and Architect, as soon as is practicable, for the purpose of determining that the Payment Application is a proper Payment Application. A Payment Application is "proper" only if it is submitted on the form approved by the District, with all of the information completely and accurately provided and such completed Payment Application is accompanied by: (i) the form of Verification of Certified Payroll Records Submittal to Labor Commissioner, executed under penalty of perjury by the Contractor's Superintendent and/or the Contractor PM; which verifies that all Certified Payroll Records for the Contractor and all Subcontractors for the period of time covered by the Application for Progress Payment have been completed and submitted in strict conformity with Labor Code §1771.4; (ii) a breakdown identifying each Subcontractor/Material Supplier to be disbursed a portion of the requested Progress Payment and the amount of the Progress Payment to be disbursed to each Subcontractor/Material Supplier so identified; (iii) duly completed and executed forms of Conditional Waiver and Release of Rights Upon Progress Payment in accordance with California Civil Code §8132 of the Contractor, all Subcontractors and Material Suppliers covering the Progress Payment requested; (iv) duly completed and executed forms of Unconditional Waiver and Release of Rights upon Progress Payment in accordance with California Civil Code §8134 of the Contractor, Subcontractors and Material Suppliers covering the Progress Payment received by the Contractor under the prior Payment Application; and (v) a certification by the Contractor that it has continuously maintained the Record Drawings. Submittal of all of the foregoing is an express condition precedent to the District's obligation to disburse any Progress Payment. If a Payment Application is determined by the District not to be a "proper" Payment Application, the Payment Application will be returned by the District to the Contractor (along with a written document setting forth the reason(s) why the Payment

Application is not proper) as soon as is practicable after receipt of the same from the Contractor, but in no event not more than seven (7) days after the District's receipt thereof.

8.2.3. Review of Payment Applications. Upon receipt of Payment Application, the Architect, Construction Manager and Project Inspector shall inspect and verify the Work to determine whether it has been performed in accordance with the terms of the Contract Documents and to determine the portion of the Payment Application which is properly due to the Contractor under the terms of the Contract Documents.

8.3. District's Disbursement of Progress Payments.

8.3.1. Timely Disbursement of Progress Payments. In accordance with Public Contract Code §20104.50, within thirty (30) days after the District's receipt of a proper Payment Application, the District will pay the Contractor ninety five percent (95%) of the value of the Work indicated in the Payment Application which is actually in place as of the date of the Payment Application and as verified and approved by the Project Inspector, Construction Manager and Architect, along with the pro rata portion of the Contractor's overhead, supervision and general conditions costs and profit for that month; provided, however, that the District's obligation to disburse any Progress Payment shall be subject to the Contractor's submission of a "proper" Payment Application as defined hereinabove. If a Payment Application is not "proper" due to the failure or refusal of the Contractor to comply with conditions precedent to the District's obligation to disburse a Progress Payment, or incompleteness or inaccuracies in any such documents submitted, the thirty (30) day period for the District's timely disbursement of a Progress Payment shall commence on the date that the District is actually in receipt of documents not submitted with the Payment Application, or corrections to documents with the Payment Application so as to render them complete and accurate.

8.3.2. Untimely Disbursement of Progress Payments. Pursuant to Public Contract Code §20104.50, if the District fails to make any Progress Payment within thirty (30) days after receipt of an undisputed and proper Payment Application, the District shall pay the Contractor interest on the undisputed amount of such Payment Application equal to the legal rate of interest set forth in California Code of Civil Procedure §685.010(a).

8.3.3. District's Right to Disburse Progress Payments by Joint Checks. The District may in its sole discretion issue joint checks to the Contractor and Subcontractors or Material Suppliers in satisfaction of its obligation to make Progress Payments or the Final Payment due hereunder. The Contractor shall cooperate with the District and subcontractors/Material Suppliers in the issuance or processing of joint checks.

8.3.4. No Waiver of Defective or Non-Conforming Work. The approval of any Payment Application or the disbursement of any Progress Payment to the Contractor shall not be deemed nor constitute acceptance of Defective or Non-Conforming Work.

8.3.5. Progress Payments for Changed Work. The Contractor's Payment Applications may include requests for payment for Changes which have been authorized and approved by the District, Construction Manager, Project Inspector, Architect and all other governmental agencies with jurisdiction over such Change. Except as provided for herein, no other payment shall be made by the District for Changes.

8.3.6. Materials or Equipment Not Incorporated Into the Work. No Progress Payments will be made for materials or equipment not incorporated into the Work at the time a Payment Application is submitted.

8.3.7. Title to Work. The Contractor warrants that title to all Work covered by a Payment Application will pass to the District no later than the time of payment.

8.4. Substitute Security for Retention. Eligible and equivalent securities may be substituted for Retention at the request and expense of the Contractor pursuant to California Public Contract Code §22300. The foregoing and the provisions of California Public Contract Code §22300

notwithstanding, failure of the Contractor to request substitution of eligible and equivalent securities for Retention prior to the Contractor's submission of the first Payment Application is the Contractor's waiver of rights under Public Contract Code §22300.

8.5. Final Payment.

8.5.1. Application for Final Payment. When the Contractor has achieved Final Completion of the Work and has otherwise fully performed its obligations under the Contract Documents, the Contractor shall submit an Application for Final Payment on such form as approved by the District. Thereupon, the Architect, Construction Manager and Project Inspector will promptly make a final inspection of the Work and when the Architect, Construction Manager and Project Inspector find the Work acceptable under the Contract Documents and that the Contractor has completed all other obligations of the Contractor, the Architect, Construction Manager and Project Inspector will approve the Application for Final Payment, stating that to the best their knowledge, information and belief, the Work has been completed in accordance with the Contract Documents and that the Contractor is entitled to receipt of Final Payment. The Final Payment shall include the remaining balance of the Contract Price and Retention previously withheld by the District, less offsets and deductions thereto.

8.5.2. Conditions Precedent to Disbursement of Final Payment. Submittal of the following are express conditions precedent to the District's obligation to disburse the Final Payment: (i) duly completed and executed forms of Conditional or Unconditional Waivers and Releases of rights upon Final Payment of the Contractor, Subcontractors of any tier and Material Suppliers in accordance with California Civil Code §§8136 or 8138, with each of the same stating that there are, or will be, no claims for additional compensation after disbursement of the Final Payment; (ii) Operations and Maintenance manuals and separate warranties provided by any manufacturer or distributor of any materials or equipment incorporated into the Work; (iii) the Record Drawings; (iv) the form of Guarantee included in the Contract Documents duly executed by an authorized representative of the Contractor; (v) all other items or documents required by the Contract Documents to be delivered to the District upon completion of the Work; and (vi) written evidence of the Contractor's filing of the DSA Final Verified Report.

8.5.3. Disbursement of Final Payment. Provided that the District is then in receipt of all materials set forth in Article 8.5.2 above as conditions precedent to the District's obligation to disburse Final Payment, not later than sixty (60) days following Final Acceptance, the District shall disburse the Final Payment to the Contractor. Pursuant to California Public Contract Code §7107, if there is any dispute between the District and the Contractor at the time that disbursement of the Final Payment is due, the District may withhold from disbursement of the Final Payment an amount not to exceed one hundred fifty percent (150%) of the amount in dispute. If the Contractor complies with all of the conditions precedent to the District's disbursement of the Final Payment, except for written evidence of the Contractor's filing of the DSA Final Verified Report, the District may withhold and retain ten percent (10%) of the Final Payment in accordance with Article 4.22.2 of these General Conditions. In such event, provided that the Contractor has fully complied with and satisfied all other conditions precedent set forth in Article 8.5.2, the District will disburse the remaining balance of the Final Payment to the Contractor; such disbursement shall constitute the District's full and complete performance of payment obligations to the Contractor hereunder.

8.5.4. Waiver of Claims. The Contractor's acceptance of the Final Payment is a waiver and release by the Contractor of any and all claims against the District for compensation or otherwise in connection with the Contractor's performance of the Contract.

8.5.5. Claims Asserted After Final Payment. Any stop payment notice or other claim filed or asserted after the Contractor's acceptance of the Final Payment by any Subcontractor, Material Supplier or others in connection with or for Work is the sole and exclusive responsibility of the Contractor who shall indemnify, defend and hold harmless the Indemnified Parties from and

against any claims, demands or judgments arising or associated therewith, including without limitation attorneys' fees.

- 8.6. Withholding of Payments. The District may withhold and retain the Contract Price, in whole or in part, on account of: (i) uncorrected Defective or Non-Conforming Work; (ii) failure of the Contractor to make payments when due laborers, Subcontractors or Material Suppliers; (iii) claims filed or reasonable evidence of the probable filing of claims by Subcontractors, laborers, Material Suppliers, or others performing any portion of the Work under the Contract Documents for which the District may be liable or responsible including, without limitation, Stop Notice Claims; (iv) reasonable doubt that the Contract can be completed for the then unpaid balance of the Contract Price; (v) tax demands filed in accordance with California Government Code §12419.4; (vi) other claims, penalties and/or forfeitures for which the District is required or authorized to retain funds otherwise due the Contractor, including any amounts due from the Contractor to the District under the Contract Documents; or (vii) the Contractor's failure to perform any of its obligations under the Contract Documents, its default under the Contract Documents or its failure to maintain adequate progress of the Work. In addition to the foregoing, the District shall not be obligated to process any Application for Progress Payment or Final Payment, nor shall Contractor be entitled to any Progress Payment or Final Payment so long as any lawful or proper direction concerning the Work or the performance thereof or any portion thereof, given by the District, the Construction Manager, Project Inspector, Architect or any public authority having jurisdiction over the Work, or any portion thereof, shall not be fully and completely complied with by the Contractor. When the District is reasonably satisfied that the Contractor has remedied any such deficiency, payment shall be made of the amount withheld. The foregoing notwithstanding, if the District withholds: (i) ten percent (10%) of the Final Payment pursuant to Articles 4.22.2 and 8.5.3 of these General Conditions; or (ii) any amount incurred to complete an obligation of the Contractor hereunder, the Contractor shall not be entitled to receipt or payment of any portion of such withholdings.
- 8.7. Payments to Subcontractors. The Contractor shall pay all Subcontractors on account of Work performed by Subcontractors in accordance with the terms of their respective subcontracts and pursuant to Business & Professions Code §7108.5 and Public Contract Code §7201.

9. Changes

- 9.1. Changes to the Work. The District, at any time, by written order, may make Changes within the general scope of the Work or issue additional instructions, require additional Work or direct deletion of Work. The Contractor shall not proceed with any Change without prior written authorization from the District. The Contractor shall promptly commence and diligently complete any District authorized Change; the Contractor shall not be relieved or excused from its prompt commencement and diligent completion of any Change authorized by the District due to the inability of the Contractor and the District to agree upon the adjustment to the Contract Time or the Contract Price on account of such Change. The issuance of a Change Order in connection with any Change authorized by the District is not a condition precedent to Contractor's obligation to promptly commence and diligently complete any Change authorized by the District hereunder. The District's right to make Changes shall not invalidate the Contract nor relieve the Contractor of its obligations under the Contract Documents. Any requirement of notice of Changes to the Surety shall be the responsibility of the Contractor. Changes shall be subject to DSA approval.
- 9.2. Oral Order of Change in the Work. Any oral order, direction, instruction, interpretation, or determination (collectively "Instruction Order") from the District, Construction Manager, Project Inspector or Architect which Contractor believes is a change to the Work, or requires an

adjustment to the Contract Price or the Contract Time, shall be treated as a Change only if the Contractor gives the Architect, Construction Manager and Project Inspector written notice within ten (10) days of the Instruction Order and prior to acting in accordance therewith. Time is of the essence in Contractor's written notice pursuant to the preceding sentence and the Contractor acknowledges that its failure to give written notice within ten (10) days of the date of an Instruction Order is deemed Contractor's waiver of any right to adjustment of the Contract Time or the Contract Price on account of such Instruction Order. The written notice shall state the date, circumstances, extent of adjustment to the Contract Price or the Contract Time, if any, requested, and the source of the Instruction Order that the Contractor regards as a Change. Unless the Contractor acts in strict accordance with this procedure, no Instruction Order shall not be treated as a Change and the Contractor waives any adjustment to the Contract Price or the Contract Time on account thereof.

- 9.3. Contractor Submittal of Data. Within thirty (30) days after receipt of a written order directing a Change or furnishing the written notice regarding any Instruction Order, the Contractor shall submit to the Architect, Project Inspector, Construction Manager and District a detailed written statement setting forth the general nature of the Change, the amount of any adjustment to the Contract Price on account thereof, properly itemized and supported by sufficient substantiating data to permit evaluation of the same, and the extent of adjustment of the Contract Time, if any, required by such Change. No claim or adjustment to the Contract Price or the Contract Time shall be allowed if not asserted by the Contractor in strict conformity herewith or if asserted after Final Payment is made.
- 9.4. Adjustment to Contract Price on Account of Changes to the Work. Adjustments to the Contract Price due to Changes in the Work shall be determined by application of one of the following methods, in the following order of priority:
- 9.4.1. Mutual Agreement. By negotiation and mutual agreement, on a lump sum basis, between the District and the Contractor on the basis of the estimate of the actual and direct increase or decrease in costs on account of the Change. Upon request of the District or the Architect, the Contractor shall provide a detailed estimate of increase or decrease in costs directly associated with performance of the Change along with cost breakdowns of the components of the Change and supporting data and documentation.
- 9.4.2. Determination by the District. By the District, whether or not negotiations are initiated pursuant to Article 9.4.1 above, based upon actual and necessary costs incurred by the Contractor as determined by the District. If the procedure set forth in this Article 9.4.2 is utilized to determine the extent of adjustment to the Contract Price on account of Changes to the Work, promptly upon determining the extent of adjustment to the Contract Price, the District shall notify the Contractor in writing of the same; the Contractor shall be deemed to have accepted the District's determination of the amount of adjustment to the Contract Price on account of a Change to the Work unless Contractor shall notify the District, Architect and Construction Manager, in writing, not more than fifteen (15) days from the date of the District's written notice, of any objection to the District's determination. Failure of the Contractor to timely notify the District, Architect and Construction Manager of Contractor's objections to the District's determination of the Contract Price adjustment is deemed Contractor's acceptance of the District's determination and a waiver of any right of the Contractor to thereafter protest or otherwise object to the District's determination. Notwithstanding any objection of the Contractor to the District's determination of the adjustment to the Contract Price pursuant to this Article 9.4.2, Contractor shall promptly commence and diligently complete any such Change.
- 9.4.3. Basis for Adjustment of Contract Price. If Changes in the Work require an adjustment of the Contract Price pursuant to Articles 9.4.1 or 9.4.2 above, the basis for adjustment of the Contract Price shall be as follows:

- 9.4.3.1. Labor. The Contractor shall be compensated for the costs of field labor actually and directly utilized in the performance of the Change. Labor costs shall be limited to field labor for labor classification(s) necessary to perform the Change. Use of a labor classification which increases labor costs associated with any Change shall not be permitted. Labor costs shall exclude costs incurred by the Contractor in preparing estimate(s) of the costs of the Change, in the maintenance of records relating to the costs of the Change, coordination and assembly of materials and information relating to the Change or performance thereof, or the supervision and other overhead and general conditions costs associated with the Change or performance thereof.
- 9.4.3.2. Materials and Equipment. Contractor shall be compensated for the costs of materials and equipment necessarily and actually used or consumed in connection with the performance of Changes. Costs shall be the then lowest wholesale price at which identical or similar materials/equipment are available in the quantities required to perform the Change. The District may furnish materials and/or equipment for Changes, in which event the Contractor shall not be compensated for any mark-up thereon.
- 9.4.3.3. Construction Equipment. The Contractor shall be compensated for the actual cost of the necessary and direct use of Construction Equipment in the performance of Changes in increments of fifteen (15) minutes. No costs or compensation shall be allowed for time while Construction Equipment is inoperative, idle or on standby, for any reason. The Contractor shall not be entitled to compensation for Construction Equipment or tools used for Changes with a replacement value of \$500.00 or less. Construction Equipment costs shall not exceed rental rates established by construction equipment rental agencies in the locality of the Site. The allowable rate for Construction Equipment includes compensation for rental costs, fuel, power, oil, lubrication, supplies, necessary attachments, repairs or maintenance of any kind, depreciation, storage, insurance, labor (exclusive of labor costs of the Construction Equipment operator), and any all other costs incidental to the use of such Construction Equipment.
- 9.4.4. Mark-up on Costs of Changes to the Work. The allowance for mark-ups on the costs of the Change for all overhead (including home office, supervision and field overhead costs, including personnel costs; labor burdens on personnel costs; insurance premiums), general conditions costs and profit associated with the Change shall not exceed the percentage set forth in the Special Conditions, regardless of the number of Subcontractors performing any portion of any Change. If a Change reduces the Contract Price, no profit, general conditions or overhead costs shall be paid by the District to the Contractor for the reduced or deleted Work; the Contract Price shall be reduced by the actual cost for the reduced or deleted Work multiplied by the percentage set forth in the Special Conditions for mark-ups on the cost of a Change adding to the scope of the Work.
- 9.4.5. Contractor Maintenance of Records. If the Contractor is directed to perform any Change pursuant to Article 9.1 or 9.2, the Contractor shall maintain detailed separate records on a daily basis for each separate Change. Such records shall include without limitation hourly records for labor and Construction Equipment and itemized records of materials and equipment used that day in connection with any Change to the Work. Subcontractors shall maintain records in accordance with this Article. Each daily record maintained hereunder shall be signed by Contractor's Superintendent/Subcontractor's Superintendent and shall incorporate a statement that all information contained therein is true, accurate, complete and relates only to the Change referenced therein. All records maintained hereunder shall be subject to inspection, review and/or reproduction by the District, Architect, Construction Manager or Project Inspector upon request. If the Contractor fails or refuses, for any reason, to maintain or make available for

inspection, review and/or reproduction such records and the adjustment to the Contract Price on account of any Change to the Work is determined by the District, the District's reasonable good faith determination of the adjustment to the Contract Price on account of such Change shall be final, conclusive and binding upon the Contractor. The Contractor's obligation to maintain records hereunder is in addition to, and not in lieu of, other Contractor obligations relating to Changes to the Work.

- 9.5. Adjustment to Contract Time. If any Change(s) are authorized by the District, the Contract Time shall be extended or reduced by Change Order for a period of time commensurate with the time reasonably necessary to perform such Change
- 9.6. Addition or Deletion of Alternate Bid Item(s). If the Bid for the Work includes proposal(s) for Alternate Bid Item(s), during performance of the Work, the District may elect, to add any such Alternate Bid Item(s) if the same did not form a basis for award of the Contract or delete any such Alternate Bid Item(s) if they formed a basis for award of the Contract. If the District elects to add or delete any such Alternate Bid Item(s) pursuant to the foregoing, the cost or credit for such Alternate Bid Item(s) shall be as set forth in the Contractor's Bid. If any Alternate Bid Item is added or deleted pursuant to the foregoing, the Contract Time shall be adjusted by the number of days allocated for the added or deleted Alternate Bid Item in the Contract Documents; if days are not allocated for any Alternate Bid Item added or deleted pursuant to the foregoing, the Contract Time shall be equitably adjusted.
- 9.7. Change Orders. If the District approves of a Change, a written Change Order prepared by the Architect on behalf of the District shall be forwarded to the Contractor describing the Change and setting forth the adjustment to the Contract Time and the Contract Price, if any, on account of such Change. All Change Orders shall: (i) be deemed full payment and final settlement of all claims for direct, indirect and consequential costs, including without limitation, costs of delays or impacts related to, or arising out of, items covered and affected by the Change Order; (ii) incorporate adjustments to the Contract Time; and (iii) constitute the Contractor's waiver of rights of rights under Civil Code §1542. Any claim or item relating to any Change incorporated into a Change Order not presented by the Contractor for inclusion in the Change Order shall be deemed waived. The Contractor shall execute the Change Order prepared pursuant to the foregoing; once the Change Order has been prepared and forwarded to the Contractor for execution. The Contractor shall not modify or amend the form or content of such Change Order, or any portion thereof; attempted or purported modifications or amendments are not binding upon the District and are null, void and unenforceable. Change Orders shall be binding upon the District only upon action of the District's Board of Trustees approving and ratifying such Change Order.
- 9.8. Unilateral Change Order. A Unilateral Change Order is a written Change Order issued by or on behalf of the District before the Contractor and District have agreed on the extent of adjustment of the Contract Time or the Contract Price relating to the Change reflected in a Unilateral Change Order. A Unilateral Change Order shall describe the scope and nature of the Change and set forth the adjustment to the Contract Time and Contract Price, if any. The District shall forward to the Contractor a copy of the Unilateral Change Order (for information only) at least five (5) days prior to the Board of Trustees' review and consideration of the Unilateral Change Order. Any Unilateral Change Order issued hereunder shall be binding upon the District and Contractor upon action of the District's Board of Trustees to ratify or approve such Unilateral Change Order. The objections, if any, of the Contractor to the extent of adjustment of the Contract Time or the Contract Price on account of the Change(s) incorporated into a Unilateral Change Order shall be submitted in writing by the Contractor to

the District, Construction Manager and Architect not more than fifteen (15) days after the date of the District's Board of Trustees action to approve or ratify a Unilateral Change Order. The absence of the Contractor's written objections to a Unilateral Change Order within the time set forth above shall be deemed the Contractor's acceptance of the Contract Time and/or Contract Price adjustment set forth in a Unilateral Change Order for the Changes described therein and the Contractor shall be deemed to have knowingly waived any right to seek additional adjustments of the Contract Time or the Contract Price on account of Change(s) incorporated into such a Unilateral Change Order.

- 9.9. Construction Change Directive. A Construction Change Directive is a written instrument issued by or on behalf of the District directing a Change to the Work prior to the Contractor and District reaching full agreement on an adjustment of the Contract Time and/or Contract Price on account of such Change. The Contractor shall promptly commence and diligently complete any Change to the Work subject to a Construction Change Directive issued hereunder. The issuance of a Change Order in connection with any Construction Change Directive is not a condition precedent to Contractor's obligation to promptly commence and diligently complete a Construction Change Directive. Upon completion of a Construction Change Directive, if the Contractor and District have not agreed on the adjustment of Contract Time and/or Contract Price, the District shall issue a Unilateral Change Order for such Construction Change Directive.
- 9.10. Contractor Notice of Changes. If the Contractor claims that any instruction, request, the Drawings, the Specifications, action, condition, omission, default, or other situation obligates the District to increase the Contract Price or to extend the Contract Time ("Potential Changes"), the Contractor shall notify the Project Inspector, Construction Manager and Architect, in writing, of such claim within ten (10) days from the date of its actual or constructive notice of the factual basis supporting the Potential Changes. The District shall consider any such claim of the Contractor only if sufficient supporting documentation is submitted with the Contractor's notice to the Construction Manager, Project Inspector and Architect. Time is of the essence in Contractor's written notice pursuant to the preceding so that the District can promptly investigate and consider alternative measures to the address such Potential Changes. Accordingly, Contractor acknowledges that its failure, for any reason, to give written notice (with sufficient supporting documentation to permit the District's review and evaluation) within ten (10) days of its actual or constructive knowledge of any Potential Changes shall be deemed Contractor's waiver, release, discharge and relinquishment of any right to assert or claim any entitlement to an adjustment of the Contract Time or the Contract Price on account of any such Potential Changes.
- 9.11. Disputed Changes. If any dispute or disagreement between the Contractor and the District or the Architect regarding the characterization of any item as a Change or as to the appropriate adjustment of the Contract Price or the Contract Time on account thereof, the Contractor shall promptly proceed with the performance, subject to a subsequent resolution of such dispute or disagreement in accordance with the terms of the Contract Documents.
- 9.12. Minor Changes in the Work. The Architect may order minor Changes in the Work not involving an adjustment in the Contract Price or the Contract Time and not inconsistent with the intent of the Contract Documents. Such Changes shall be effected by written order and shall be binding on the District and the Contractor.
- 9.13. Unauthorized Changes. Any Work beyond the lines and grades shown on the Contract Documents, or any extra Work performed or provided by the Contractor without notice in strict

conformity with the Contract Documents shall be considered unauthorized and at the sole expense of the Contractor. Work so done will not be measured or paid for, no extension to the Contract Time will be granted on account thereof and any such Work may be ordered removed at the Contractor's sole cost and expense.

10. Separate Contractors

- 10.1. District's Right to Award Separate Contracts. The District reserves the right to perform construction or operations related to the Work with the District's own forces or to award separate contracts in connection with other portions of the Project or other construction or operations at or about the Site. If the Contractor claims that delay or additional cost is involved because of such action by the District, the Contractor shall seek an adjustment to the Contract Price or the Contract Time as provided for in the Contract Documents. Failure of the Contractor to request such an adjustment in strict conformity with the Contract Documents shall be deemed a waiver of the same.
- 10.2. District's Coordination of Separate Contractors. The District shall coordinate the activities of the District's own forces and separate contractor(s) with the Work of the Contractor, who shall cooperate with them. The Contractor shall participate with other separate contractors and the District in reviewing their respective Construction Schedules when directed to do so. The Contractor shall make any revisions to the Accepted Construction Schedule deemed necessary after a joint review and mutual agreement. The Construction Schedules shall then constitute the Construction Schedules to be used by the Contractor, separate contractors and the District until subsequently revised.
- 10.3. Mutual Responsibility. The Contractor shall afford the District and separate contractors of the District with a reasonable opportunity for storage of their materials and equipment and performance of their activities at the Site.
- 10.4. Discrepancies or Defects. If any part of the Work depends for proper execution or results upon construction or operations by the District or a separate contractor to the District, the Contractor shall, prior to proceeding with that portion of the Work, promptly report to the Architect, Construction Manager and Project Inspector any discrepancies or defects in such other construction that renders it unsuitable for such proper execution and results.

11. Tests; Inspections; Observations

- 11.1. Contractor's Notice. If the Contract Documents, Laws or any public authority with jurisdiction over the Work require the Work, or any portion thereof, to be specially tested, inspected or approved, the Contractor shall give the Architect, Construction Manager and Project Inspector written notice of the readiness of such Work for observation, testing or inspection at least two (2) working days prior to the time for the conducting of such test, inspection or observation. If any portion of the Work subject to tests, inspection or approval is covered up by Contractor prior to completion and satisfaction of the requirements of such tests, inspection or approval, Contractor shall be responsible for the uncovering of such portion of the Work as is necessary for performing such tests, inspection or approval without adjustment of the Contract Price or the Contract Time.
- 11.2. Cost of Tests and Inspections. The District will pay for fees, costs and expenses for the initial tests/inspections of materials/equipment which are conducted at the Site or locations within a one hundred (100) mile radius of the Site. All fees, costs or expenses for subsequent tests/inspections or for tests/inspections conducted at a location more than a one hundred (100) mile radius from the Site (including without limitation, travel and travel-related expenses)

shall be borne solely and exclusively by the Contractor.

- 11.3. Testing/Inspection Laboratory. The District shall select duly qualified person(s) or testing laboratory(ies) to conduct the tests and inspections to be paid for by the District and required by the Contract Documents or the Laws. Tests and inspections required of the Work shall be as set forth in the Contract Documents and as required by the Laws, including without limitation, Title 24 of the California Code of Regulations. Test/inspection standards shall be as set forth in the Contract Documents or established by the Laws. Where inspection or testing is to be conducted by an independent laboratory or testing agency, materials or samples thereof shall be selected by the laboratory, testing agency, the Project Inspector, Construction Manager or Architect and not by the Contractor.
- 11.4. Additional Tests, Inspections and Approvals. If the Architect, Construction Manager, Project Inspector or public authorities having jurisdiction over any portion of the Work require additional testing, inspection or approval, the Architect, Project Inspector or Construction Manager will instruct the Contractor to make arrangements for such additional testing, inspection or approval by an entity acceptable to the District, and the Contractor shall give timely notice to the Architect, Construction Manager and Project Inspector of when and where tests and inspections are to be made so the Construction Manager, Project Inspector and Architect may observe such procedures. The District shall bear the costs of such additional tests, inspections or approvals, except to the extent that such additional tests, inspections or approvals reveal any failure of the Work to comply with the requirements of the Contract Documents, in which case the Contractor shall bear all costs made necessary by such failures, including without limitation, the costs of corrections, repeat tests, inspections or approvals and the costs of the services, the Architect or its consultants, the Construction Manager and Project Inspector in connection therewith.
- 11.5. Delivery of Certificates. Required certificates of testing, inspection or approval shall, unless otherwise required by the Contract Documents, be secured by the Contractor and promptly delivered to the Architect, Project Inspector and Construction Manager.
- 11.6. Timeliness of Tests, Inspections and Approvals. Tests or inspections required and conducted pursuant to the Contract Documents shall be made or arranged by Contractor to avoid delay in the progress of the Work. The Contractor shall be liable for delays to completion of the Work if the Contractor fails coordinate and timely schedule required tests, inspections or observations of the Work.

12. Uncovering and Correction of Work

- 12.1. Uncovering of Work. If any portion of the Work is covered contrary to the request of the Architect, Construction Manager, Project Inspector or the requirements of the Contract Documents, it must, if required by the Architect, Construction Manager or Project Inspector, be uncovered for observation by the Architect, Project Inspector and/or the Construction Manager and be replaced at the Contractor's expense without adjustment of the Contract Time or the Contract Price.
- 12.2. Rejection of Work. Defective or Non-Conforming Work may be rejected by the District, Construction Manager, Architect or Project Inspector. The Contractor shall correct such rejected Work without adjustment to the Contract Price or the Contract Time, even if the Work, materials or equipment have been previously inspected by the Architect or the Project Inspector or even if they failed to observe the Defective or Non-conforming Work.

- 12.3. Correction of Work. The Contractor shall promptly correct any portion of the Work rejected by the District, Construction Manager, Architect or Project Inspector as Defective or Non-Conforming Work, whether observed before or after Substantial Completion and whether or not fabricated, installed or completed. The Contractor shall bear all costs of correcting such rejected Work, including additional testing and inspections and compensation for the Architect's services and expenses made necessary thereby. The Contractor shall bear all costs of correcting destroyed or damaged Work, whether completed or partially completed.
- 12.4. Removal of Non-Conforming or Defective Work. The Contractor shall, at its sole cost and expense, remove from the Site all portions of the Work which are defective or are not in accordance with the requirements of the Contract Documents which are neither corrected by the Contractor nor accepted by the District.
- 12.5. Failure of Contractor to Correct Work. If the Contractor fails to commence to correct Defective or Non-Conforming Work within three (3) days of notice of such condition and promptly thereafter complete the same within a reasonable time, the District may correct it in accordance with the Contract Documents and at the expense of the Contractor.
- 12.6. Acceptance of Defective or Non-Conforming Work. The District may, in its sole and exclusive discretion, elect to accept Defective or Non-Conforming Work instead of requiring its removal and correction, in which case the Contract Price shall be equitably reduced.

13. Warranties

- 13.1. Workmanship and Materials. The Contractor warrants to the District that: (i) all materials and equipment furnished under the Contract Documents are new, of good quality and of the most suitable grade and quality for the purpose intended, unless otherwise specified in the Contract Documents; and (ii) all Work and workmanship is of good quality, free from faults and defects and in conformity with the requirements of the Contract Documents. If required by the Architect or the District, the Contractor shall furnish satisfactory evidence as to the kind and quality of materials and equipment incorporated into the Work. Any Work, or portion thereof not conforming to these requirements, including substitutions or alternatives not properly approved in accordance with the Contract Documents may be deemed Defective or Non-Conforming Work and subject to repair, replacement or other remedial action by the Contractor to render such work in accordance the Contract Documents. The Contractor expressly warrants the merchantability, the fitness for use, and quality of all Work; such warranty of the Contractor in addition, and not in lieu of, any warranty given by the manufacturer or supplier of such item.
- 13.2. Warranty Work. If, within one (1) year after the date of Final Acceptance, or such other time frame set forth elsewhere in the Contract Documents, any Work is Defective, Non-Conforming, not in accordance with the requirements of the Contract Documents, or otherwise contrary to the warranties contained in the Contract Documents, the Contractor shall commence all necessary corrective action within seven (7) days after receipt of a written notice from the District to do so, and to thereafter diligently complete the same. If the Contractor fails or refuses to commence correction of any such item within said seven (7) day period or to diligently prosecute such corrective actions to completion, the District may, without further notice to Contractor, the District may, in the sole discretion of the District: (i) cause such corrective Work to be performed and completed; or (ii) upon notice and demand to the Performance Bond Surety, require the Surety to complete corrective work. If the District elects to complete corrective work under (i) above, the Contractor and the Performance Bond Surety shall be responsible for all costs in connection with such corrective Work, including without limitation, general administrative overhead costs of the District in securing and overseeing

such corrective Work. The obligations of the Contractor hereunder are in addition to, and not in lieu of, any other obligations imposed by any special guarantee or warranty required by the Contract Documents, guarantees or warranties provided by any manufacturer of any item incorporated into the Work, or otherwise recognized, prescribed or imposed by the Laws. Neither the District's Final Acceptance, the making of Final Payment, nor the use or occupancy of the Work, in whole or in part, by District shall nor relieve the Contractor or the Contractor's Performance Bond Surety from liability with respect to any warranties or responsibility for faulty or defective Work or materials, equipment and workmanship incorporated therein.

- 13.3. Guarantee. Upon completion of the Work, Contractor shall execute and deliver to the District the form of Guarantee included within the Contract Documents. The Contractor's execution and delivery of the form of Guarantee is an express condition precedent to any obligation of the District to disburse the Final Payment to the Contractor.
- 13.4. Survival of Warranties. The Contractor' warranty and guaranty obligations hereunder shall survive the Contractor's completion of Work under the Contract Documents, the District's Final Acceptance or the termination of the Contract.

14. Suspension of Work

- 14.1. District's Right to Suspend Work. The District may, without cause, and without invalidating or terminating the Contract, order the Contractor, in writing, to suspend, delay or interrupt the Work in whole or in part for such period of time as the District may determine. The Contractor shall resume and complete the Work suspended by the District in accordance with the District's directive, whether issued at the time of the directive suspending the Work or subsequent thereto.
- 14.2. Adjustments to Contract Price and Contract Time. If the District directs suspension of the Work, an adjustment shall be made to the Contract Price for increases in the direct cost of performance of the Work of the Contract Documents, actually caused by suspension, delay or interruption ordered by the District; provided however that no adjustment of the Contract Price shall be made to the extent: (i) that performance is, was or would have been so suspended, delayed or interrupted by another cause for which the Contractor is responsible; or (ii) that an equitable adjustment is made or denied under another provision of the Contract Documents. The foregoing notwithstanding, any such adjustment of the Contract Price shall not include any adjustment to increase the Contractor's overhead, general administrative costs or profit, all of which will remain as reflected in the Cost Breakdown submitted by the Contractor pursuant to the Contract Documents. If the District directs suspension of the Work, the Contract Time shall be equitably adjusted to reflect the duration of the District's suspension of the Work.

15. Termination

15.1. Termination for Cause

15.1.1. District's Right to Terminate. The District may terminate the Contract upon the occurrence of any one or more of the following events of the Contractor's default: (i) the Contractor refuses or fails to prosecute the Work with diligence to achieve Substantial Completion of the Work within the Contract Time; (ii) the Contractor fails to achieve Substantial Completion of the Work within the Contract Time; (iii) the Contractor becomes bankrupt or insolvent, or makes a general assignment for the benefit of creditors, or if the Contractor or a third party files a petition to reorganize or for protection under any bankruptcy or similar laws; (iv) the Contractor repeatedly fails to supply sufficient skilled workmen or sufficient quantities of suitable materials or equipment; (v) the Contractor repeatedly fails to make payments to any Subcontractor, Material Suppliers or others for labor, materials or equipment furnished in

connection with the Work; (vi) the Contractor disregards the Laws or other requirements of any public entity having jurisdiction over the Work; (vii) the Contractor disregards proper directives of the Architect, Construction Manager, Project Inspector or District; (viii) the Contractor performs Work which deviates from requirements of the Contract Documents and fails or refuses to correct such Work; or (ix) the Contractor otherwise violates in any material way any provisions or requirements of the Contract Documents. Once the District determines that sufficient cause exists to justify the action, the District may terminate the Contract without prejudice to any other right or remedy the District may have, after giving the Contractor and the Surety at least seven (7) days advance written notice of the effective date of termination. The District shall have the sole discretion to permit the Contractor to remedy the cause for the termination without waiving the District's right to terminate the Contract, or otherwise waiving, restricting or limiting any other right or remedy of the District under the Contract Documents or the Laws.

15.1.2. District's Rights Upon Termination. If the Contract is terminated pursuant to this Article 15.1, the District may take over the Work and prosecute it to completion, by contract or otherwise, and may exclude the Contractor from the Site. The District may take possession of the Work and of all of the Contractor's tools, appliances, Construction Equipment, machinery, materials, and other items at or about the Site, and use the same to the full extent they could be used by the Contractor without liability to the Contractor. The District shall have the sole discretion as to the manner, methods, and reasonableness of the costs of completing the Work; the District shall not be required to obtain the lowest price for completion of the Work. If the District takes bids for completion of the Work, the Contractor is not eligible for award of such contract(s).

15.1.3. Completion by the Surety. If the Contract is terminated pursuant to this Article 15.1, the District may demand that the Surety take over and complete the Work, in which case the rights and obligations of the District and the Surety shall be as set forth in the Performance Bond. Upon the failure or refusal of the Surety to take over and begin completion of the Work within twenty (20) days after demand therefor, the District may take over the Work and prosecute it to completion as provided for above, provided that such action of the District shall not operate to modify, diminish or otherwise affect the liability of the Surety or Contractor to the District under the Contract Documents, Performance Bond or the Laws.

15.1.4. Assignment and Assumption of Subcontracts. Upon termination pursuant to the foregoing, the District shall, in its sole and exclusive discretion, have the option of requiring any Subcontractor or Material Supplier to perform in accordance with its Subcontract or Purchase Order with the Contractor and/or assign the Subcontract or Purchase Order to the District or such other person or entity designated by the District.

15.1.5. Costs of Completion. In the event of termination under this Article 15.1, the Contractor shall not receive any further payment of the Contract Price until the Work is completed. If the unpaid balance of the Contract Price as of the date of termination exceeds the District's direct and indirect costs and expenses for completing the Work, including without limitation, attorneys' fees and compensation for additional professional and consultant services, such excess shall be used to pay the Contractor for the cost of the Work performed prior to the effective date of termination with a reasonable allowance for overhead and profit. If the District's costs and expenses to complete the Work exceed the unpaid Contract Price, the Contractor and the Surety shall be jointly and severally liable for payment of the difference to the District.

15.1.6. Conversion to Termination for Convenience. If the Contract is terminated under this Article 15.1, and it is determined, for any reason, that the Contractor was not in default under the provisions hereof, the termination shall be deemed a Termination for Convenience of the District and thereupon, the rights and obligations of the District and the Contractor shall be determined in accordance with Article 15.2 hereof.

15.1.7. District's Rights Cumulative. If the Contract is terminated pursuant to this Article 15.1,

the termination shall not affect or limit any rights or remedies of the District against the Contractor or the Surety. The rights and remedies of the District under this Article 15.1 are in addition to, and not in lieu of, any other rights and remedies provided by the Laws or under the Contract Documents.

- 15.2. Termination for Convenience of the District. The District may at any time, in its sole and exclusive discretion, by written notice to the Contractor, terminate the Contract in whole or in part when it is in the interest of, or for the convenience of, the District. In such case, the Contractor shall be entitled to payment for: (i) Work actually performed and in place as of the effective date of such termination for convenience of the District, with a reasonable allowance for profit and overhead on such Work, and (ii) reasonable termination expenses for reasonable protection of Work in place and suitable storage and protection of materials and equipment delivered to the Site but not yet incorporated into the Work, provided that such payments exclusive of termination expenses shall not exceed the total Contract Price as reduced by payments previously made to the Contractor and as further reduced by the value of the Work as not yet completed. The Contractor shall not be entitled to profit and overhead on Work which was not performed as of the effective date of the termination for convenience of the District. The District may, in its sole discretion, elect to have subcontracts assigned pursuant to Article 15.1.4 above after exercising the right hereunder to terminate for the District's convenience.

16. Miscellaneous

- 16.1. Governing Law; Interpretation. This Contract shall be governed by and interpreted pursuant to the laws of the State of California. The titles used in the Contract Documents are for convenience of reference only shall have no effect upon the interpretation of the Contract Documents. The Contract Documents shall be construed as a whole in accordance with their fair meaning and not strictly for or against the District or the Contractor. The neuter gender shall include the feminine and masculine, the masculine gender shall include the feminine and neuter, the singular number shall include the plural and the plural number shall include the singular. Except as otherwise expressly provided, capitalized terms used in the Contract Documents shall have the meaning and definition for such term as set forth in the Contract Documents.
- 16.2. Successors and Assigns. Unless otherwise expressly provided in the Contract Documents, all terms, conditions and covenants of the Contract Documents shall be binding upon, and shall inure to the benefit of the District and the Contractor and their respective heirs, representatives, successors-in-interest and assigns.
- 16.3. Cumulative Rights and Remedies; No Waiver. Duties and obligations imposed by the Contract Documents and rights or remedies available thereunder shall be in addition to and not in lieu of or otherwise a limitation or restriction of duties, obligations, rights and remedies otherwise imposed or available by the Laws. No action or failure to act by the District shall constitute a waiver of a right or remedy afforded it under the Contract Documents or the Laws nor shall such an action or failure to act constitute approval of or acquiescence in a breach hereunder.
- 16.4. Severability. If any provision of the Contract Documents is deemed illegal, invalid, unenforceable and/or void, by a court or any other governmental agency of competent jurisdiction, such provision shall be deemed to be severed and deleted from the Contract Documents, but all remaining provisions hereof, shall in all other respects, continue in full force and effect.

- 16.5. No Assignment by Contractor. The Contractor shall not assign the Contract or any obligation of the Contractor thereunder, in whole or in part, without the express prior written consent and approval of the District, which may be granted, conditioned or withheld in the sole and exclusive discretion of the District.
- 16.6. Time of Essence. Time is of the essence in the Contractor's performance of its obligations under the Contract Documents.
- 16.7. Independent Contractor Status. The Contractor is an independent contractor to the District and not an agent or employee of the District.
- 16.8. Notices. Except as otherwise expressly provided for in the Contract Documents, all notices which the District or the Contractor may be required, or may desire, to serve on the other, shall be effective only if delivered by: (i) personal delivery; or by (ii) postage prepaid, First Class Certified Return Receipt Requested United States Mail, addressed to the District or the Contractor at their respective address set forth in the Contract Documents, or such other address(es) as either the District or the Contractor may designate from time to time by written notice to the other in conformity with the provisions hereof. For personal delivery, such notices shall be deemed effective upon delivery, provided that such personal delivery requires a signed receipt by the recipient acknowledging delivery of the same. For mailed notices, such notice shall be deemed effective on the third (3rd) working day after deposit in the mail.
- 16.9. Disputes; Continuation of Work. Notwithstanding any claim, dispute or other disagreement between the District and the Contractor regarding performance under the Contract Documents, the scope of Work thereunder, or any other matter arising out of or related to, in any manner, the Contract Documents or the Work, the Contractor shall proceed diligently with performance of the Work in accordance with the District's written direction, pending any final determination or decision regarding any such claim, dispute or disagreement.
- 16.10. Dispute Resolution; Arbitration.
- 16.10.1. Claims Under \$375,000.00. Claims between the District and the Contractor of \$375,000.00 or less shall be resolved pursuant to Public Contract Code, §§20104 et seq.; provided however that California Public Contract Code §20104.2(a) shall not supersede the requirements of the Contract Documents for the Contractor's notification to the District of such claim or extend the time for the giving of such notice. The term "claims" used herein shall be as defined in Public Contract Code §20104(b)(2).
- 16.10.2. JAMS Arbitration. Except as provided in Article 16.10.1, any other claims, disputes, disagreements or other matters in controversy between the District and the Contractor arising out of, or related, in any manner, to the Work, the Contract Documents, or the interpretation, clarification or enforcement thereof shall be resolved by binding arbitration conducted by a JAMS arbitrator with expertise in public works construction matters and in accordance with the Comprehensive Arbitration Rules and Procedures of JAMS in effect as of the date that a Demand for Arbitration is filed, except as modified herein. The locale for any arbitration shall be the regional office of JAMS closest to the Site.
- 16.10.3. Demand for Arbitration. A Demand for Arbitration shall be filed and served within a reasonable time after the occurrence of the claim, dispute or other disagreement giving rise to the Demand for Arbitration, but in no event after the date when institution of legal or equitable proceedings based upon such claim, dispute or other disagreement would be barred by the applicable statute of limitations. If either the District or the Contractor assert that the other filed a Demand for Arbitration after expiration of the applicable statute of limitations, no arbitration proceeding shall be commenced until there is a judicial adjudication of whether or not matters

raised in the Demand for Arbitration are barred by the applicable statute of limitations and a judgment or an order is entered by a Superior Court of the State of California with competent jurisdiction.

16.10.4. Discovery. In connection with any arbitration proceeding commenced hereunder, the discovery rights and procedures under California Code of Civil Procedure §1283.05 shall be applicable, and the same are incorporated herein by this reference.

16.10.5. Arbitrator's Award. Notwithstanding Rule 24 of JAMS Comprehensive Arbitration Rules and Procedures, in accordance with California Code of Civil Procedure §1296, in any arbitration commenced hereunder, the arbitrator's award shall be supported by law and substantial evidence; the District and Contractor hereby expressly agree that a court shall, subject to California Code of Civil Procedure §1286.4, vacate the arbitrator's award if after review it determines either that the arbitrator's award is not supported by substantial evidence or that it is based on an error of law. Any arbitration award that does not include written findings of fact and conclusions of law in conformity with California Code of Civil Procedure §1296 shall be invalid and unenforceable. Subject to the foregoing provisions, the arbitrator's award shall be final, binding and conclusive upon the District and the Contractor.

16.10.6. Costs. Expenses and fees of the arbitration and the arbitrator shall be divided equally among the parties to the arbitration. Each party to an arbitration commenced hereunder shall bear its own attorneys' fees, witness fees and other costs and expenses in connection with such arbitration. The foregoing notwithstanding, the arbitrator may award arbitration costs, consisting of arbitration expenses and the arbitrator's fees but excluding attorneys' fees, to the prevailing party.

16.10.7. Confirmation of Arbitration Award. The confirmation, enforcement, vacation or correction of an arbitration award shall be by the Superior Court of the County in which the Site is located. The substantive and procedural rules for such post-award proceedings shall be as set forth in California Code of Civil Procedure §1285 et seq.

16.10.8. Inapplicability to Bid Bond. This Article 16.11 is not applicable to disputes, disagreements or enforcement of the Bid Bond; all claims, disputes and actions to enforce rights or obligations under the Bid Bond shall be adjudicated exclusively by judicial proceedings commenced in a court of competent jurisdiction.

16.10.9. Government Code Claims. All claims, demands, disputes, disagreements or other matters in controversy asserted by the Contractor against the District in a demand for arbitration filed pursuant to Article 16.10.2 or asserted by the Contractor against the District in any arbitration proceeding commenced pursuant to Article 16.10.2 above, shall be deemed a "suit for money or damages" under Government Code §900 et seq. An express condition precedent to the Contractor's commencement of arbitration proceedings under Article 16.10.2, is the Contractor's strict compliance with and exhaustion of remedies and procedures under Government Code §900 et seq, including without limitation, §§945.4, 945.6 and 946. Notwithstanding the dispute resolution provisions set forth herein, all claims demands, disputes, disagreements or other matters in controversy asserted by the Contractor against the District seeking money or damages shall first be presented to the District's Board of Trustees and acted upon or deemed rejected by the Board of Trustees pursuant to Government Code §900 et seq.

16.11. Attorneys' Fees. Except as expressly provided for in the Contract Documents, or authorized by the Laws, neither the District nor the Contractor shall recover from the other any attorneys' fees or other costs associated with or arising out of any legal, administrative or other proceedings filed or instituted in connection with or arising out of the Contract Documents or the performance of either the District or the Contractor thereunder.

16.12. Provisions Required by the Laws Deemed Inserted. Each and every provision of the Laws and clause required by the Laws to be inserted in the Contract Documents is deemed to be inserted

herein and the Contract Documents shall be read and enforced as though such provision or clause are included herein, and if through mistake, or otherwise, any such provision or clause is not inserted or if not correctly inserted, then upon application of either party, the Contract Documents shall forthwith be physically amended to make such insertion or correction.

- 16.13. Days. Unless otherwise expressly stated, references to “days” in the Contract Documents are calendar days.
- 16.14. Entire Agreement. The Contract Documents contain the entire agreement and understanding between the District and the Contractor concerning the subject matter hereof, and supersedes and replaces all prior negotiations, proposed agreements or amendments, whether written or oral. No amendment or modification to any provision of the Contract Documents shall be effective or enforceable except by an agreement in writing executed by the District and the Contractor.

[END OF SECTION]

SPECIAL CONDITIONS

1. Application of Special Conditions. These Special Conditions form a part of the Contract Documents for the Work generally described as: **RFQ CCC 054 Drinking Fountain Upgrade.**
2. Liquidated Damages. The per diem rate of Liquidated Damages for delayed Substantial Completion, delayed submission of Submittals and delayed completion of Punchlist shall be as set forth herein.
 - 2.1. Delayed Substantial Completion. If Substantial Completion is not achieved on or before expiration of the Contract Time, the Contractor shall be liable to the District for Liquidated Damages from the date of expiration of the Contract Time to the date that the Contractor achieves Substantial Completion of the Work at the per diem rate of fifteen hundred Dollars (\$ 1,500.00).
 - 2.2. Delayed Submission of Submittals. If the Contractor fails to submit a Submittal in accordance with the Submittal Schedule, the Contractor shall be liable to the District for Liquidated Damages for each delayed Submittal at the per diem rate of five hundred Dollars (\$ 500.00) from the date that such Submittal was due to be submitted pursuant to the Submittal Schedule and the date that the Contractor actually submits the Submittal to the Architect.
 - 2.3. Delayed Punchlist Completion. If the Contractor fails to complete Punchlist within the time established pursuant to the Contract Documents, the Contractor shall be liable to the District for Liquidated Damages from the date established for completion of Punchlist until the date that all Punchlist is actually completed at the per diem rate of five hundred Dollars (\$ 500.00)
 - 2.4. Surety Liability. Subject only to limitations established by the penal sum of the Performance Bond, the Surety issuing the Performance Bond shall be liable to the District for Liquidated Damages due from the Contractor.
3. Construction Manager. The Construction Manager is PCM3, Inc.
4. District Furnished Drawings and Specifications. Pursuant to Article 2.1.3 of the General Conditions, the District will furnish to the Contractor for use solely and exclusively in connection with performance of the Work zero (-0-) printed copies of the Drawings and Specifications. Additional copies of the Drawings and Specifications may be reproduced by the Contractor at its cost and expense
5. Hours and Days of Work at the Site.
 - 5.1. Work Hours/Days. Subject to limitations set forth elsewhere in the Contract Documents and below, the hours/days of Work at the Site are: 7am – 7pm Mondays through Fridays, except for holiday days.
 - 5.2. Limitations on Work Hours/Days. Work activities at the Site will be limited or prohibited on days: (i) devoted to student testing or when testing of students may be adversely affected by Work activities at the Site; or (ii) when other special events or functions are scheduled. The Contractor shall familiarize itself with District activities at the Site to avoid Work activity interferences or disturbances to such District activities. The Contractor's Construction Schedule shall take into account the District activities which limit or preclude Work activities at the Site.
6. Contractor Personnel Parking. Personnel of the Contractor, Subcontractors and others performing Work at the Site will be allowed to park, with a valid District parking permit, in the parking spaces at a location designated by the District. Parking permit charges, if any, shall be borne and paid by the Contractor without adjustment of the Contract Price. The foregoing notwithstanding, the extent or location of parking for such personnel may be limited, restricted, eliminated or modified by the

District as reasonably necessary to facilitate and accommodate necessary parking for the District's students, staff and visitors engaged in activities and functions in and about the Site. Neither the Contract Price nor the Contract Time shall be adjusted as a result of any such District modifications to the extent or location of parking.

7. Site Perimeter Fencing. The Contractor shall install a chain link fence with fabric privacy screen around the entire perimeter of the Site to prevent dust and debris being blown from the Site to adjacent areas, including without limitation, adjacent streets and residential areas. Without adjustment of the Contract Time or the Contract Price the Contractor shall maintain all fencing in good condition and clear of any graffiti or damage. The Contractor shall remove or relocate such fencing as directed by the District or the Construction Manager.
8. Facilities/Services for Project Inspector. Pursuant to Article 4.14 of the General Conditions, during the Work, the Contractor shall provide/furnish the following facilities/services or other items for use by the Project Inspector: Andy Martin, Priest Construction Services.
9. District Provided Temporary Utilities. Pursuant to Article 4.3.4 of the General Conditions, during the Contractor's performance of the Work, the District will provide the Contractor with utility services and a point of connection for no utility services. If the District provides any utility services for use by the Contractor: (i) the District may discontinue, limit or condition use of such services by a Contractor if the District reasonably determines that the Contractor has wasted such utilities, and (ii) the District shall not be liable to the Contractor, nor shall the Contract Time or the Contract Price be increased if any District provided temporary utility service is discontinued or disrupted for any reason other than the District's non-payment of undisputed utility charges. If provided by the District, the Contractor may use the temporary electrical power and domestic potable water service in connection with the Work provided that: (i) the District may discontinue, limit or condition use of such services by a Contractor if the District reasonably determines that the Contractor has wasted such utilities, and (ii) the District shall not be liable to the Contractor, nor shall the Contract Time or the Contract Price be increased if any District provided temporary utility service is discontinued or disrupted for any reason other than the District's non-payment of undisputed utility charges. Notwithstanding any provision of the Contract Documents to the contrary, the Contractor shall not use District provided water supply in connection with any earthwork or grading operations; water supply for earthwork or grading operations shall be obtained by the Contractor, without adjustment of the Contract Time or the Contract Price, from an offsite source or mobile water delivery service. Further, notwithstanding the District providing a point of connection for the Contractor's telephone/data service at the Site, the Contractor is solely responsible for the payment of utility service charges therefor.
10. Mark-Ups on Changes to the Work. In the event of Changes to the Work, pursuant to Article 9 of the General Conditions, the mark-up for all overhead (including home and field office overhead), general conditions costs and profit, shall not exceed the percentage of allowable direct actual costs for performance of the Change as set forth below.
 - 10.1. Subcontractor Performed Changes. For the portion of any Change performed by Subcontractors of any tier, the percentage mark-up on allowable actual direct labor and materials costs incurred by all Subcontractors of any tier shall be Fifteen Percent (15%). In addition, for the portion of any Change performed by a Subcontractor of any tier, the Contractor may add an amount equal to Five Percent (5%) of the allowable actual direct labor and materials costs of Subcontractors performing the Change; the foregoing mark-up shall not be applied to the Subcontractor mark-up.

- 10.2. Contractor Performed Changes. For the portion of any Change performed by the Contractor's own forces, the mark-up on the allowable actual direct labor and materials costs of such portion of a Change shall be Fifteen Percent (15%).
- 10.3. Bond Premium Costs. In addition to the foregoing mark-ups on the direct costs of labor and materials, a bond premium expense in an amount equal to the lesser of the Contractor's actual bond premium rate of One Percent (1%) of the total actual direct costs of labor and materials (before Subcontractor and Contractor mark-ups) will be allowed.
- 10.4. Exclusions From Mark-Up of Actual Costs. Mark-ups on the actual cost of materials/equipment incorporated into a Change or for purchase/rental of Construction Equipment shall not be applied to any portion of such costs which are for sales, use or other taxes arising out of the purchase of materials/equipment and/or for purchase/rental of Construction Equipment.

11. Use of Project Allowance.

- 11.1. The Allowance is used only as directed by the Owner.
- 11.2. The Allowance is used exclusively for the Owner's purposes and for scope(s) of work as directed by Owner.
- 11.3. The contractor/sub-contractor will prepare detailed breakdown of all costs associated with the work defined for the Allowance. These amounts will be charged against the Allowance by Change Order, based on final detailed payment receipts and back-up as required by Architect/Engineer, and will include all costs of work performed under the defined work scope. If required by Owner, Contractor shall obtain quotes for equipment from three separate vendors and present to District for consideration and selection.
- 11.4. Contractor shall include in the base bid contract amount all cost of coordination, supervision, bond costs, overhead and profit, supervision, installation and all indirect project costs associated with performing the work of each Allowance. Contractor shall be permitted to charge only its direct costs to perform the work, as indicated through documentation approved by the District.
- 11.5. At project closeout, any unused Cash Allowance amounts shall be credited to the Owner by Change Order. Contractor shall not deduct costs such as bond costs, overhead and profit or other indirect costs when returning any unused Cash Allowance amounts.
- 11.6. Changes that exceed the scope of work or amount of each Allowance covered by each allowance will be processed as a Change Order per Contract Documents.

12. Rain Days. The Contractor's Construction Schedules prepared pursuant to Article 7 of the General Conditions shall incorporate the Rain Days set forth below; there shall be no adjustment to the Contract Time on account of unusually severe weather conditions resulting from rainfall until the actual number of Rain Days exceeds the number of Rain Days set forth below. The Contractor's Construction Schedule shall incorporate the following number of Rain Days for each Calendar Month of the Contract Time:

Month	Rain Days
January	four (4)
February	four (4)
March	three (3)
April	two (2)

May	two (2)
June	none
July	none
August	none
September	none
October	two (2)
November	three (3)
December	four (4)

13. Deferred Approval Items. The following Deferred Approval Items are incorporated into and made a part of the Work: N/A. The Contractor is responsible for preparing all materials necessary for DSA review and approval of Deferred Approval Items without adjustment of the Contract Time or the Contract Price.

[CONTINUED ON NEXT PAGE]

14. Insurance Coverages

14.1. Contractor Insurance. Pursuant to Article 6 of the General Conditions, the Contractor shall obtain and maintain the following insurance coverages with minimum coverage amounts as set forth below:

Policy of Insurance	Minimum Coverage Amount
Commercial General Liability Insurance	Per Occurrence: One Million Dollars (\$1,000,000)
	Aggregate: Two Million Dollars (\$2,000,000)
Workers Compensation	In accordance with the Laws
Employers Liability	One Million Dollars (\$1,000,000)
Builders Risk	Full insurable value of the Work; Seismic coverage: Not Required

14.2. Subcontractor Insurance. Pursuant to Article 6 of the General Conditions, each Subcontractor shall obtain and maintain the following insurance coverages with minimum coverage amounts as set forth below

Policy of Insurance	Minimum Coverage Amount
Commercial General Liability Insurance	Per Occurrence: One Million Dollars (\$1,000,000)
	Aggregate: Two Million Dollars (\$2,000,000)
Workers Compensation	In accordance with the Laws
Employers Liability	One Million Dollars (\$1,000,000)

[END OF SECTION]

COMPTON COMMUNITY COLLEGE DISTRICT
DRINKING FOUNTAIN UPGRADE

DIVISION 01 - GENERAL REQUIREMENTS

01 01 00	Summary of Work.....	22
01 21 00	Allowances	5
01 23 00	Alternates.....	2
01 25 00	Contract Modification Procedures.....	9
01 29 00	Payment Procedures	5
01 30 40	Post Bid Interview.....	7
01 30 50	Construction Procedures Manual	45
01 31 00	Project Coordination	10
01 32 00	Acceleration of Work	3
01 33 00	Submittal Procedures	9
01 35 10	Alteration Project Procedures	4
01 42 00	References	4
01 43 80	Work Plan and Milestone Schedule.....	2
01 45 00	Quality Control.....	9
01 50 00	Temporary Facilities and Controls	10
01 62 00	Product Options.....	2
01 63 00	Product Substitution Procedures	5
01 70 00	Cleaning	4
01 72 20	Field Engineering.....	4
01 73 20	Cutting and Patching	4
01 74 00	Warranties and Guarantees	2
01 77 00	Closeout Procedures	6
01 78 20	Project Record Documents.....	5
01 78 50	Operating and Maintenance Data.....	7
01 81 00	Commissioning.....	4

END OF SECTION

COMPTON COMMUNITY COLLEGE DISTRICT

Drinking Fountain Upgrade

SCOPE OF WORK

PART 1 - GENERAL

1.1 SECTION INCLUDES:

- A. Work Covered by Contract Documents
- B. Contract Scope
- C. Contractor Use of Premises

1.2 WORK COVERED BY CONTRACT DOCUMENTS:

A. Work Included: The work to be performed by contractor shall conform to the requirements of all of Division 00 and Division 01 as well as the General Conditions, Special Conditions, and all related Specifications that pertain to this Bid Package scope of work, all sheets in Drawings and other related documents, and includes the furnishing of all supervision, labor, materials, tools, equipment, transportation, plan and services necessary therefore and incidental thereto to complete the project. The work shall consist of, but not be limited to, the following:

1. This Contractor is to remove and replace eleven (11) Existing Drinking Fountains (seven (7) dual and four (4) single drinking fountains) and add bottle fillers to four (4) existing dual Drinking Fountains. The list of locations on campus and a campus map indicating locations is attached to this scope of work document. If the existing drinking fountain is a chilled water fountain it is to be replaced with a chilled water fountain per attached Elkay EZH2O specification sheets. All others are to be replaced with non-chilled water fountains per attached Elkay EZH2O specification sheets. All new drinking fountains to have filters.
2. Bottle fillers to be added to existing drinking fountains will be per the attached HAWS model 1920 with appropriate retrofit backing plate per specification sheet attached. This contractor to also provide and install filter kits.
3. This Contractor to also provide and install filter kits to seven other drinking fountains throughout campus that have recently had bottle fillers added.
4. Any substitution of drinking fountain or bottle filler manufacturer or model to be approved by the District only during the bid process – no substitutions will be approved after the bid.
5. This Contractor is responsible for demo and removal from the site of the old drinking fountains, all plumbing disconnect and

COMPTON COMMUNITY COLLEGE DISTRICT

Drinking Fountain Upgrade

reconnect of new, electrical disconnect of existing and reconnect of new, any cutting, patching, painting and repair of walls as needed.

6. If water shut off is required for any area, the shut off is to be coordinated at least 48 hours in advance with the District through the Construction Manager.
7. Provide all submittals to not cause any delays to any portion of the construction schedule for this Contractor or any other Contractor included in this project.

This Contractor is to adhere to the following submittal schedule.

A. Executed contract.	Five (5) Days from the District's issuance of a Notice of Award.
B. Submittal and shop drawing schedule.	Five (5) Days from the District's issuance of a Notice of Award.
C. Procurement schedule with all copies of purchase orders and subcontractor agreements.	Five (5) Days from the District's issuance of a Notice of Award.
D. Manufacturing schedule with all long lead and special inspection requirements.	Five (5) Days from the District's issuance of a Notice of Award.
E. Delivery schedule.	Five (5) Days from the District's issuance of a Notice of Award.
F. Detailed construction schedule.	Five (5) Days from the District's issuance of a Notice of Award.
G. Commissioning, Warranty, Closeout and punch list schedule.	Fourteen (14) Days from the District's issuance of a Notice to Proceed.

8. This Contractor is responsible for all barricades, or other types of protection necessary to prevent damage to existing improvements indicated to remain. This Contractor is also responsible for providing, daily cleanup, and dust control surrounding the area of work affected by the proposed construction for this contractor.
9. This Contractor is to provide all white glove clean up scope of work for the surrounding site for the entire project, including but not necessarily limited to removal of all residual trash created

COMPTON COMMUNITY COLLEGE DISTRICT

Drinking Fountain Upgrade

during this contractor's scope of work. Cleaning up must have the District's final approval through the Construction Manager.

10. This contractor is to address punch list, final clean up, and closeout, per the contract construction schedule and or the District's desire for occupancy. This contractor agrees that delays to completion of punch list and closeout would constitute a delay in project completion and therefore this contractor shall be subject to the assessment of liquidated damages per the Contract Documents.
11. Existing Site Conditions: This Contractor shall make a thorough examination of the site to determine all existing conditions affecting the work prior to beginning any work under this Contractor. All conflicts within the contract documents and existing conditions are to be brought to the attention of the Construction Manager during the bidding process by way of the pre-bid clarification form issued at the job walk. Any claims for changes in scope or claims for additional compensation will not be considered for this contractor's failure to notify the Construction Manager of such a conflict/discrepancy.
12. Location of Site:
Compton Community College District
1111 E. Artesia Blvd.
Compton, CA. 90221

1.3 CONTRACT METHOD:

- A. Construct the Work under a single Lump Sum Contract with a Schedule of Values.

1.4 CONTRACTOR USE OF PREMISES:

- A. This Contractor shall have use of the premises for the execution of the work.
- B. Work Week and Job Hours - Work hours are subject to standard construction hours per the Ordinance set by the City of Compton, Ca. Contractor is expected to work weekends and holidays, as necessary, to complete the work within the specified time of completion without any additional cost to the District. If the contractor plans to work off hours and or weekends at times during the course of the project, this contractor needs to notify the Construction Manager (PCM3) forty-eight (48) in advance. All weekends, holidays, or irregular hours worked must be supervised by the Construction Manager and be in compliance with local ordinances. Coordinate use of the premises under the direction of the Construction Manager.
- C. This Contractor shall enforce that all persons working on the site use only non-permanent markers, tapes and tags to indicate construction

COMPTON COMMUNITY COLLEGE DISTRICT

Drinking Fountain Upgrade

techniques and instructions, on construction in progress, and on existing construction. This includes markings on exterior and interior of building and on walks, curbs, walls and other site surfaces. Where work is damaged or defaced by use of permanent marking devices, such work will be subject to cleaning, repair or replacement, as the District may require.

- D. This Contractor will move any stored products under that interferes with the operations of the Owner and/or any other Contractor that is on a separate contract.
- E. This Contractor will obtain and pay for the use of additional storage or work areas needed for operations.
- F. This Contractor shall assume all responsibility for parking his own and his subcontractor's vehicles at the direction of the Construction Manager. Contractor shall direct all material deliveries to an area agreed to by the District.
- G. Theft: If any person working on the contract should engage in theft of money, property, supplies, equipment, food, or any other item, whether from the District's personnel, students, facilities, employees, visitors, or from another of the Contractor's personnel or subcontractors, will be immediately and permanently dismissed from the site.
- H. All District property is smoke free, drug free, alcohol free, weapons free and graffiti free. This Contractor shall enforce these rules to his crew, subcontractors and suppliers.
- I. All contractors must comply with the District's policies regarding worker conduct and security, including fingerprinting and badging requirements as per the "Agreement for Compliance with education Code 45125.1" All costs for the requirements in this section shall be included in the contract unit or lump sum prices for such work appurtenant thereto, and no additional allowance will be made therefore.

END OF SECTION

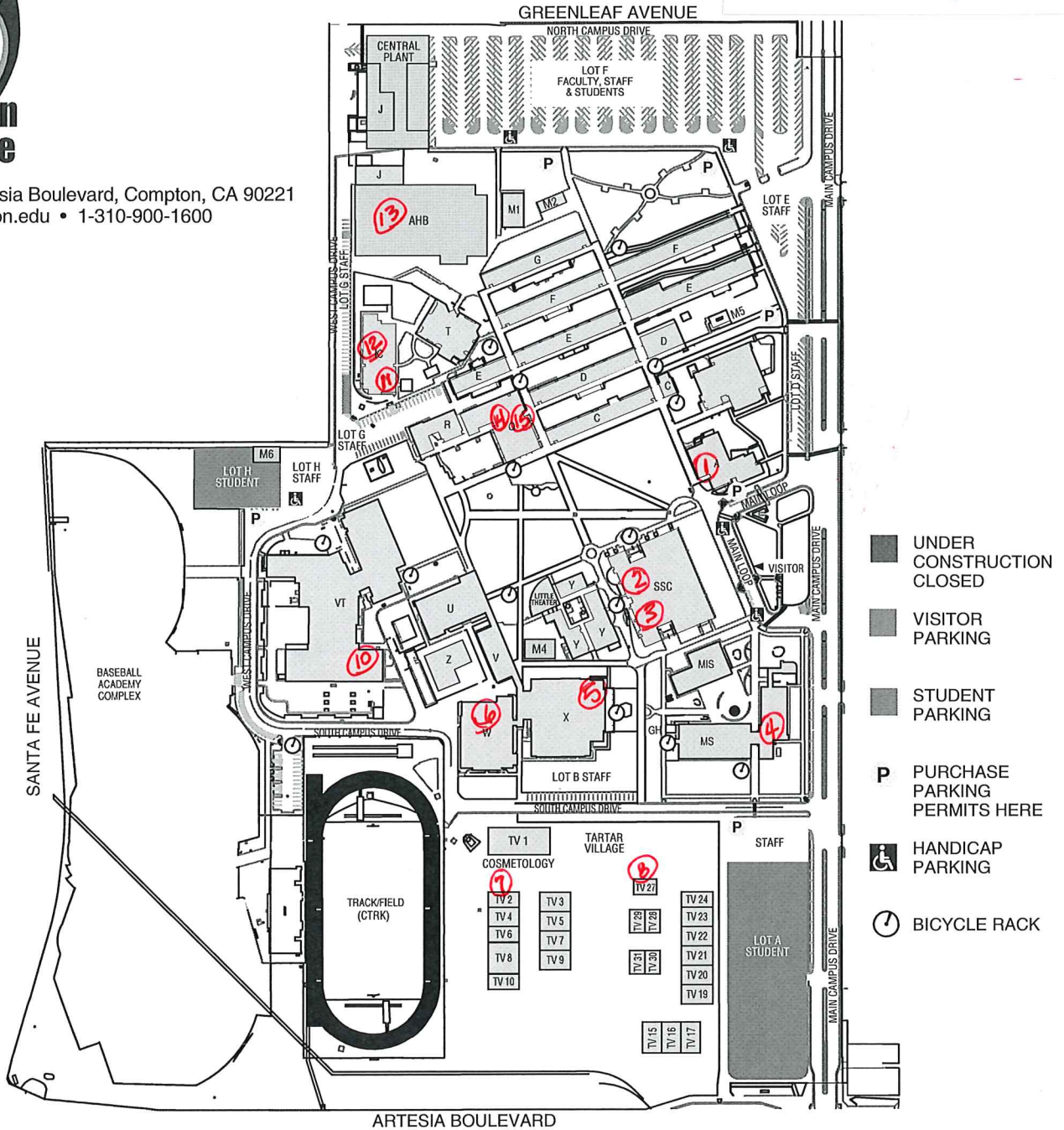
**Compton Community College District
RFQ CCC-054
Drinking Fountain Upgrade**

DF #:	Location:	Working?	R&R with new DF?	Add bottle filler only
1	Administration Bldg	Yes	XS	
2	SSC 2nd Flr by Women's RR	Yes - Hi No - Low	XD	
3	SSC 2nd Flr by Men's RR	No		BF-D
4	Math Science 2nd Flr	Yes		BF-D
5	Gym lobby area	Yes - Hi No - Low	XD	
6	Men's Locker Rm	Yes	XS	
7	TV-24 Restroom Bldg	Yes	XD	
8	TV-2 Restroom Bldg	Yes	XD	
9	Women's Locker Rm	Yes	XS	
10	Vo-Tech 2nd Flr	Yes		BF-D
11	CDC South at entry	Yes	XD	
12	CDC North	Yes	XD	
13	Allied Health West	Yes		BF-D
14	Cafeteria Hallway West	No	XD	
15	Cafeteria Hallway East	Yes	XS	

DF Drinking fountain
RR Restroom
R&R Remove and Replace
XS Replace existing with single fountain with bottle filler
XD Replace existing with dual fountain with bottle filler
BF-D Add bottle filler with filter to existing dual fountain



1111 E. Artesia Boulevard, Compton, CA 90221
 www.compton.edu • 1-310-900-1600



COMPTON COLLEGE

- | | |
|--|---|
| A Administration, Admissions & Records, Counseling, Dean of Student Services | M1 ESL/Classrooms |
| AHB Allied Health Building, Dean of Student Learning (Health, Natural Sciences & Human Services) | M4 Molina Health Center |
| C Academic Affairs, Bursar's Office, Business Affairs, Human Resources, Vice President Compton College, Print Shop | M5 Upward Bound Math & Science |
| D Transfer/Career Center | M6 Bond Trailer |
| E Outreach and School Relations, Assessment Center | Q Student Lounge, Cafeteria, Faculty & Staff Lounge |
| F Classrooms, Financial Aid, Welcome Center | R Bookstore, Student Life |
| G Classrooms | SSC Library - Student Success Center, Dean of Student Success (Humanities & Mathematics) |
| GH Greenhouse | T Abel B. Sykes Jr. Child Development Center |
| IC Child Development Center - Infant/Toddler Building | U EOPS/CARE |
| J Maintenance, Tradesman, and Shipping & Receiving | V Campus Police Department (V-72), Classrooms |
| MS Math/Science | VT Dean of Student Learning (Arts, Social Sciences & Career Technical Education) CalWORKs, Special Resource Center (DSPS) |
| MIS Management Information Systems | W Physical Education, Athletics |
| | X Gymnasium, Dance |
| | Y Music, Theater Arts |

ELKAY®

SPECIFICATIONS

EZH2O® Bottle Filling Station with Single Filtered LZ Cooler Models LZS8WS & LZSDWS

PRODUCT SPECIFICATION

Unit shall include electric water cooler with bottle filling station. LZS8WS shall deliver 8 GPH of 50°F drinking water at 90°F ambient and 80°F inlet water. LZSDWS shall deliver non-chilled drinking water. Lower unit shall have pushbar activation. Bottle filling unit shall include an electronic sensor for touchless activation with auto 20-second shut-off timer. Shall include Green Ticker™ displaying count of plastic bottles saved from waste. Bottle filler shall provide 1.1-1.5 gpm flow rate with laminar flow to minimize splashing. Shall include the WaterSentry® Plus 3000-gallon capacity filter, certified to NSF/ANSI 42 and 53, with visual monitor to indicate when replacement is necessary. Shall include integrated silver ion anti-microbial protection in key areas. Unit shall meet ADA guidelines. Unit shall be lead-free design which is certified to NSF/ANSI 61 and 372 and meets Federal and State low-lead requirements. Unit shall be certified to UL399 and CAN/CSA 22.2 No. 120.

STANDARD FEATURES

- Sanitary, touchless activation with auto 20-second shut-off (Bottle Filler)
- Easy-touch front and side pushbar controls (Cooler)
- WaterSentry® Plus 3000-gallon capacity Filtration System, certified to NSF/ANSI 42 & 53 (Lead, Class 1 Particulate, Chlorine, Taste & Odor)
- Integrated Silver Ion Anti-microbial Protection in key areas
- Quick Fill Rate: 1.1 gpm (LZS8WS); 1.5 gpm (LZSDWS)
- Laminar Flow provides minimal splash
- Real Drain System eliminates standing water
- Visual User Interface display includes:
 - Innovative Green Ticker™ counts bottles saved from waste
 - LED Visual Filter Monitor shows when replacement is necessary
- Available with Flexi-Guard® Safety or Vandal-resistant† bubbler (Includes "VR" code in model no.)
- Cooler panel finishes: Light Gray Granite Vinyl Clad Steel or Stainless Steel

COOLING SYSTEM (Models LZS8WS & LZS8WSVR only)

- Compressor: hermetically-sealed, reciprocating type, single phase. Sealed-in lifetime lubrication.
- Condenser: Fan cooled, copper tube with aluminum fins. Fan motor is permanently lubricated.
- Cooling Unit: Combination tube-tank type. Self-cleansing. Continuous copper tubing with stainless steel tank. Fully insulated with EPS foam which meets UL requirements for self-extinguishing material.
- Refrigerant Control: Refrigerant R134a is controlled by accurately calibrated capillary tube.
- Temperature Control: Easily accessible enclosed adjustable thermostat is factory preset. Requires no adjustment other than for altitude requirements.

RATED FOR INDOOR USE ONLY



CONSTRUCTION

- Stainless Steel basin with integral drain
- Galvanized structural steel cooler chassis provides structural integrity
- Stainless steel bottle filler wrapper with ABS plastic alcove
- Cooler cabinet available as Light Gray Granite Vinyl Clad Steel or Stainless Steel (additional cost) construction
- Flexi-Guard® Safety Bubbler (option) utilizes an infused anti-microbial pliable polyester elastomer to prevent accidental mouth injuries. Flexes on impact. Vandal-resistant bubbler (option) is one-piece heavy-duty

Replacement Filters: Available as Singles and Multi-packs.

Order part numbers:

- 51300C (single)
- 51300C_3PK (three)
- 51300C_12PK (twelve)
- 51300C_24PK (twenty-four)
- 51300C_48PK (forty-eight)

Warranty: 5 year limited warranty on the unit's refrigeration system. Electrical components and water system are warranted for 12 months from date of installation or 18 months from factory shipment, whichever date falls first.

CAPACITIES CHART						ETL CLASSIFIED Intertek		 C USA	 LISTED www.GreenSpec.com	
Model	Voltage / Hertz	Chilling** Capacity	F.L. Amps	Rated Watts	Approx. Ship Wt.	UL399 and CAN/CSA 22.2 No. 120 Certified	ADA COMPLIANT	ANSI/NSF 61 and 372 Certified	ANSI/NSF 42 and 53 Certified (Filter only)	GreenSpec® Listed
LZS8WS(VR)*K	115V / 60Hz	8.0 GPH	5.0	370	71 lbs.	•	•	•	•	•
LZS8WS(VR)*2K	220V / 50Hz	6.7 GPH	2.5	370	71 lbs.	++	•	•	•	•
LZS8WS(VR)*3K	220V / 60Hz	8.0 GPH	2.5	370	71 lbs.	++	•	•	•	•
LZSDWS(VR)*K	115V/60 Hz	—	1.0	15	45 lbs.	•	•	•	•	•
LZSDWS(VR)*2K	220V/50Hz	—	0.5	15	45 lbs.	++	•	•	•	•
LZSDWS(VR)*3K	220V/60Hz	—	0.5	15	45 lbs.	++	•	•	•	•

*Color code of (L) Light Gray Granite or (S) Stainless Steel cooler panels.

**Based on 80°F inlet water & 90°F ambient air temp for 50°F chilled drinking water.

++Complies; not third party certified.

This specification describes an ElKay product with design, quality and functional benefits to the user. When making a comparison of other producer's offerings, be certain these features are not overlooked.

In keeping with our policy of continuing product improvement, ElKay reserves the right to change specification without notice. Please visit elkay.com for the most current version.

2222 Camden Court
Oak Brook, IL 60523
630-572-3192
elkay.com

© 2015 ElKay
SPEC14-57 (01/2015)

**EZH2O® Bottle Filling Station
with Single Filtered LZ Cooler
Models LZS8WS & LZSDWS**

**ELKAY®
ROUGH-IN DIMENSIONS**

RATED FOR INDOOR USE ONLY

IMPORTANT! INSTALLER PLEASE NOTE:

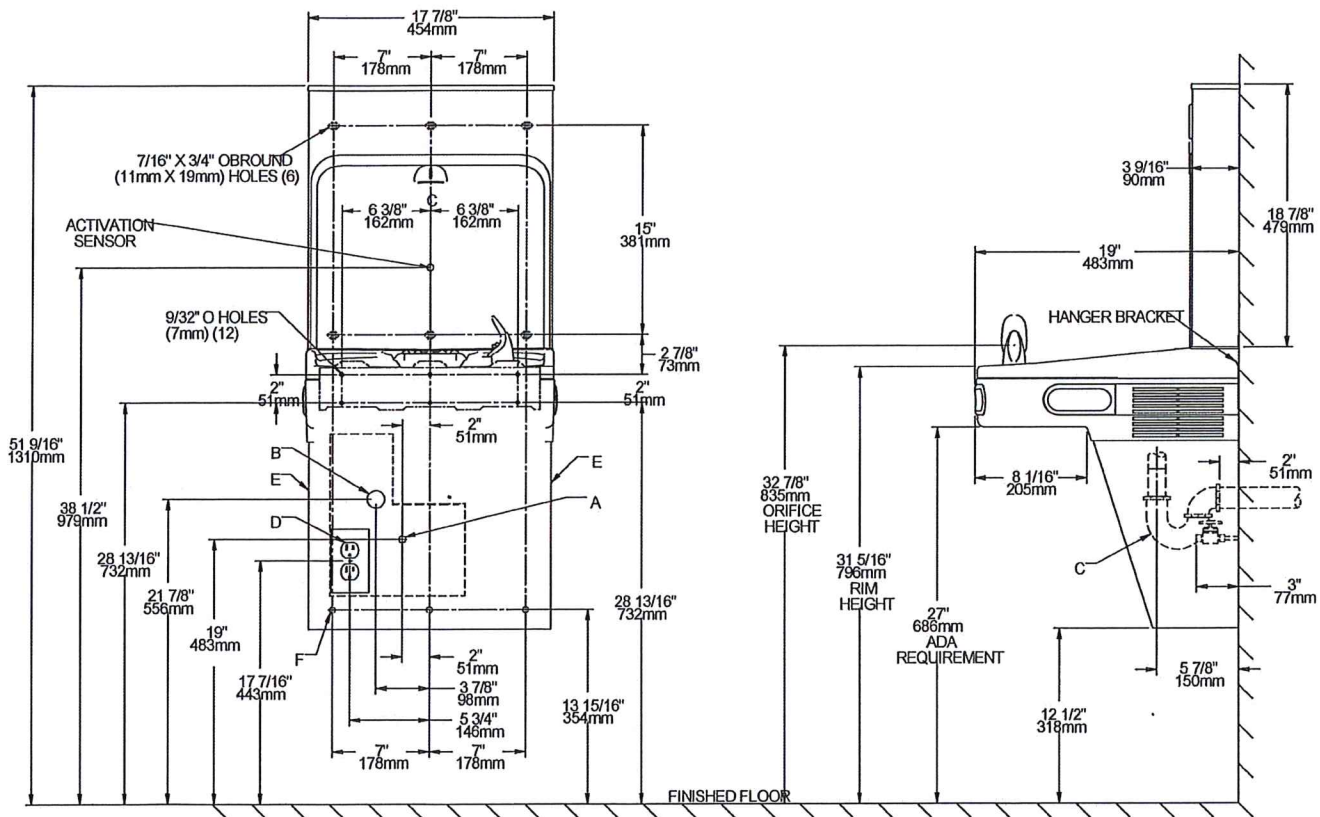
These units are designed and built to provide water to the user which has not been altered by materials in the cooler waterway. The grounding of electrical equipment such as telephone, computers, etc. to water lines is a common procedure. This grounding may be in the building but may also occur away from the building. This grounding can cause electrical feedback into a water cooler creating an electrolysis which results in a metallic taste or an increase in the metal content of the water. This condition is avoidable by installing the cooler using the proper materials as shown.

NOTICE

This water cooler must be connected to the water supply using a dielectric coupling. The cooler is furnished with a non-metallic strainer which meets this requirement. The drain trap which is provided by the installer should also be plastic to completely isolate the cooler from the building plumbing system.

Model shown with Flexi-Guard® Safety Bubbler.

Bottle Filler unit will mount on bracket attached to wall by 6 holes (as shown). Water and electrical will connect through pre-punched hole in basin.



REDUCE HEIGHT BY 3 INCHES FOR INSTALLATION OF CHILDRENS ADA COOLER

LEGEND:

- A = Recommended Water Supply location. Shut-off Valve (not furnished) to accept 3/8" O.D. unplated copper tube. Up to 3" (76mm) maximum out from wall.
 - B = Recommended Waste Outlet location. To accommodate 1-1/4" nominal drain. Drain stub 2" (51mm) out from wall.
 - C = 1-1/4" Trap (not furnished).
 - D = Electrical Supply (3) Wire Recessed Box Duplex Outlet.
 - E = Insure proper ventilation by maintaining 6" (152mm) minimum clearance from cabinet louvers to wall.
 - F = 7/16" (11mm) Bolt Holes for fastening to wall.
- **New Installations Must Use Ground Fault Circuit Interrupter (GFCI).

Job Name:	_____
Model:	_____ Qty. _____
Contact:	_____
Approval Signature:	_____
Notes:	_____

PRODUCT SPECIFICATIONS

Elkay ezH2O® Bottle Filling Station & Versatile Bi-Level ADA Cooler, Filtered 8 GPH Stainless. Chilling Capacity of 8.0 GPH (gallons per hour) of 50° F drinking water, based on 80° F inlet water and 90° F ambient, per ASHRAE 18 testing. Features shall include Hands Free, Visual Filter Monitor, Filtered, Green Ticker™, Laminar Flow, Antimicrobial, Real Drain. Furnished with Vandal Resistant bubbler. Electronic Bottle Filler Sensor With Electronic Front And Side Bubbler Pushbar activation. Product shall be Wall Mount (On Wall), for Indoor applications, serving 2 station(s). Unit shall be certified to UL 399 and CAN/CSA C22.2 No. 120. Unit shall be lead-free design which is certified to NSF/ANSI 61 & 372 (lead free) and meets Federal and State low-lead requirements.



Special Features:	Hands Free, Visual Filter Monitor, Filtered, Green Ticker™, Laminar Flow, Antimicrobial, Real Drain
Finish:	Stainless Steel
Power:	115V/60Hz
Bubbler Style:	Vandal Resistant
Activation by:	Electronic Bottle Filler Sensor With Electronic Front And Side Bubbler Pushbar
Mounting Type:	Wall Mount (On Wall)
Chilling Option*:	8.0 GPH
Full Load Amps	6
Rated Watts:	370
Dimensions (L x W x H):	36-3/4" x 19" x 39-1/16"
Approx. Shipping Weight:	106 lbs.
Installation Location:	Indoor
No. of Stations Served:	2
*Based on 80° F inlet water & 90° F ambient air temp for 50° F chilled drinking water.	

Special Note: *Coming soon: The Elkay ezH2O you know and love is getting a fresh look, as shown here. In stock models may have prior logo design.

- Visual Filter Monitor: LED Filter Status Indicator for when filter change is necessary.
- Filter is certified to NSF 42 and 53 for lead, particulate, chlorine, taste and odor reduction. 3,000 gal. capacity.
- Green Ticker: Informs user of number of 20 oz. plastic water bottles saved from waste.
- Laminar flow provides clean fill with minimal splash.
- Silver Ion Antimicrobial protection on key plastic components to inhibit the growth of mold and mildew.
- Real Drain System eliminates standing water.

PART: _____ QTY: _____
 PROJECT: _____
 CONTACT: _____
 DATE: _____
 NOTES: _____
 APPROVAL: _____

AMERICAN PRIDE. A LIFETIME TRADITION. Like your family, the Elkay family has values and traditions that endure. For almost a century, Elkay has been a family-owned and operated company, providing thousands of jobs that support our families and communities.



Included with Product: Water Cooler (LZSTL8WSVRSK), Bottle Filler (LZWSSR), Filter

▼ Ships in multiple boxes.

PRODUCT COMPLIANCE

- ADA & ICC A117.1
- Buy American Act
- CAN/CSA C22.2 No. 120
- GreenSpec®
- NSF/ANSI 42, 53, 61, & 372 (lead free)
- UL 399



Complies with ADA & ICC A117.1 accessibility requirements when installed according to the requirements outlined in these standards. Installation may require additional components and/or construction features to be fully compliant. Consult the local Authority Having Jurisdiction if necessary.

[Installation Instructions \(PDF\)](#)

5 Year Limited Warranty on the refrigeration system of the unit. Electrical components and water system are warranted for 12 months from date of installation. **Warranty pertains to drinking water applications only. Non-drinking water applications are not covered under warranty.**

[Warranty \(PDF\)](#)

OPTIONAL ACCESSORIES

51300C - WaterSentry Plus Replacement Filter (Bottle Fillers)
LKAPREZL - Elkay Cane Apron for EZ Gray
MLP200 - Accessory - In Wall Carrier (Bi-Level) for bi-level EZ, LZ, EMABF, LMABF, VRC, LVRC models
98568C - WaterSentry Filter Mounting Cover (Stainless Steel)

In keeping with our policy of continuing product improvement, Elkay reserves the right to change product specifications without notice. Please visit elkay.com for the most current version of Elkay product specification sheets. This specification describes an Elkay product with design, quality, and functional benefits to the user. When making a comparison of other producers' offerings, be certain these features are not overlooked.

COOLING SYSTEM

- Compressor: Hermetically-sealed, reciprocating type, single phase. Sealed-in lifetime lubrication.
- Condenser: Fan cooled, copper tube with aluminum fins. Fan motor is permanently lubricated.
- Cooling Unit: Combination tube-tank type. Continuous copper tubing with is fully insulated with EPS foam that meets UL requirements for self-extinguishing material.
- Refrigerant Control: Refrigerant R-134a is controlled by accurately calibrated capillary tube.
- Temperature Control: Easily accessible enclosed adjustable thermostat is factory preset. Requires no adjustment other than for altitude requirements.

In keeping with our policy of continuing product improvement, Elkay reserves the right to change product specifications without notice. Please visit elkay.com for the most current version of Elkay product specification sheets. This specification describes an Elkay product with design, quality, and functional benefits to the user. When making a comparison of other producers' offerings, be certain these features are not overlooked.

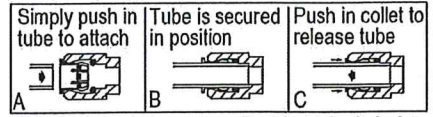
**IMPORTANT!
INSTALLER PLEASE NOTE :**

This water cooler has been designed and built to provide water to the user which has not been altered by materials in the cooler waterways. The grounding of electrical equipment such as telephone, computer, etc. to water lines is a common procedure. The grounding may be in the building but may also occur away from the building. This grounding can cause electrical feedback into a water cooler creating an electrolysis which creates a metallic taste or causes an increase in the metal content of the water. This condition is avoidable by installing the cooler using the proper materials as shown below.

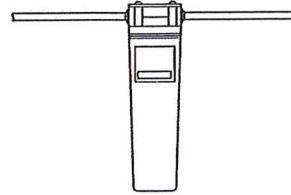
NOTICE

This water cooler must be connected to the water supply using a dielectric coupling. The cooler is furnished with a non-metallic strainer which meets this requirement. The drain trap which is provided by the installer should also be plastic to completely isolate the cooler from the building plumbing system.
Bottle filler unit on bracket attached to wall by 6 holes (as shown). Water and electrical will connect through pre-punched hole in basin.
These products are designed to operate on 20 psi to 105 psi supply line pressure. Simultaneous operation of both bubblers on a bi-level unit may not be possible depending on water supply pressure. If simultaneous operation is desired, please ensure a minimum of 65 psi supply.

OPERATION OF QUICK CONNECT FITTINGS

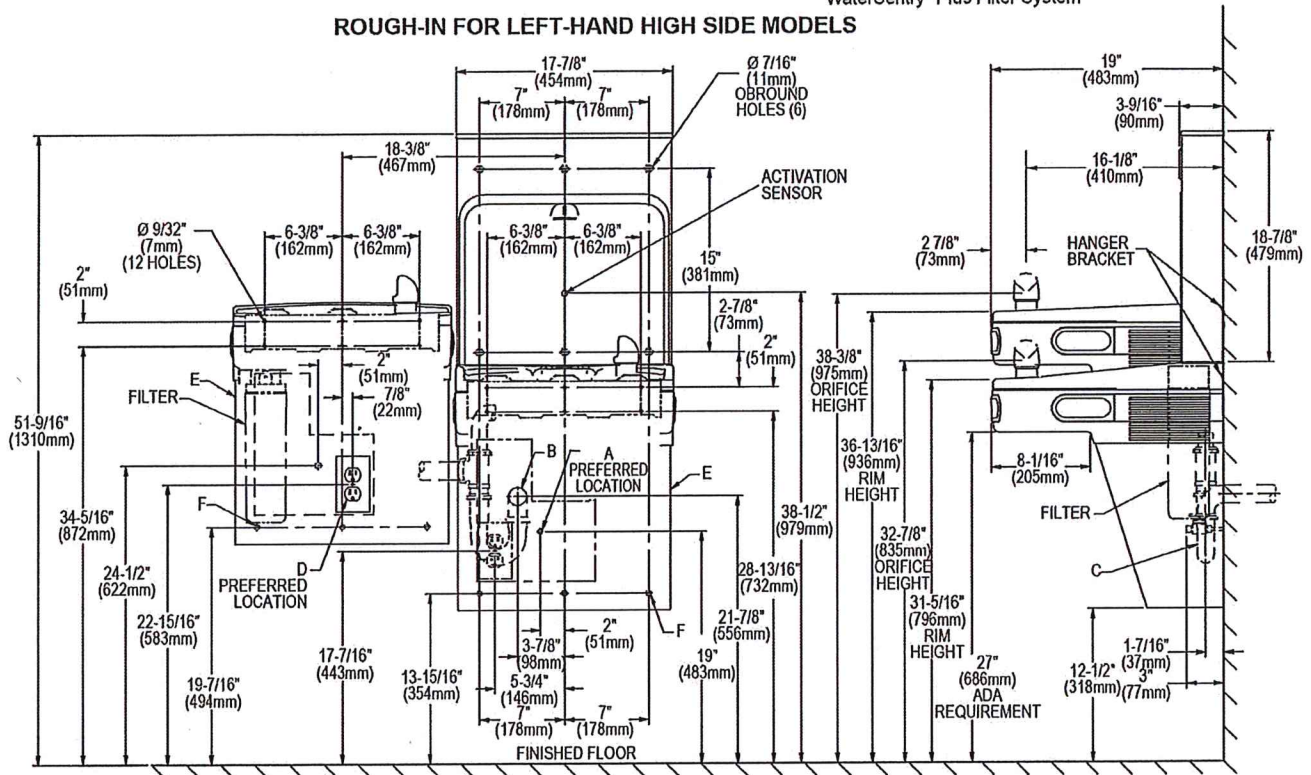


Pushing tube in before pulling it out helps to release tube



WaterSentry[®] Plus Filter System

ROUGH-IN FOR LEFT-HAND HIGH SIDE MODELS



REDUCE HEIGHT BY 3 INCHES FOR INSTALLATION OF CHILDRENS ADA COOLER

LEGEND:

- A = Recommended Water Supply location. Shut-off Valve (not furnished) to accept 3/8" O.D. unplated copper tube. Up to 3" (76mm) maximum out from wall.
 - B = Recommended Waste Outlet location. To accommodate 1-1/2" nominal drain. Drain stub 2" (51mm) out from wall.
 - C = 1-1/2" Trap (not furnished).
 - D = Electrical Supply (3) Wire Recessed Box Duplex Outlet.
 - E = Insure proper ventilation by maintaining 6" (152mm) minimum clearance from cabinet louvers to wall.
 - F = 7/16" (11mm) Bolt Holes for fastening to wall.
- Note : New Installations Must Use Ground Fault Circuit Interrupter (GFCI). It is highly recommended that the circuit be dedicated and the load protection be sized for 20 amps.

In keeping with our policy of continuing product improvement, Elkay reserves the right to change product specifications without notice. Please visit elkay.com for the most current version of Elkay product specification sheets. This specification describes an Elkay product with design, quality, and functional benefits to the user. When making a comparison of other producers' offerings, be certain these features are not overlooked.

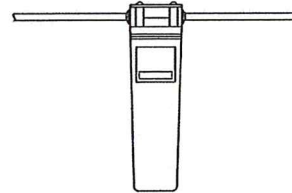
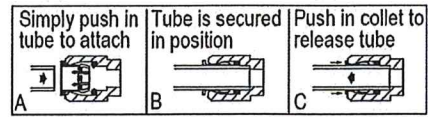
**IMPORTANT!
INSTALLER PLEASE NOTE :**

This water cooler has been designed and built to provide water to the user which has not been altered by materials in the cooler waterways. The grounding of electrical equipment such as telephone, computer, etc. to water lines is a common procedure. The grounding may be in the building but may also occur away from the building. This grounding can cause electrical feedback into a water cooler creating an electrolysis which creates a metallic taste or causes an increase in the metal content of the water. This condition is avoidable by installing the cooler using the proper materials as shown below.

NOTICE

This water cooler must be connected to the water supply using a dielectric coupling. The cooler is furnished with a non-metallic strainer which meets this requirement. The drain trap which is provided by the installer should also be plastic to completely isolate the cooler from the building plumbing system. Bottle filler unit on bracket attached to wall by 6 holes (as shown). Water and electrical will connect through pre-punched hole in basin. These products are designed to operate on 20 psi to 105 psi supply line pressure. Simultaneous operation of both bubblers on a bi-level unit may not be possible depending on water supply pressure. If simultaneous operation is desired, please ensure a minimum of 65 psi supply.

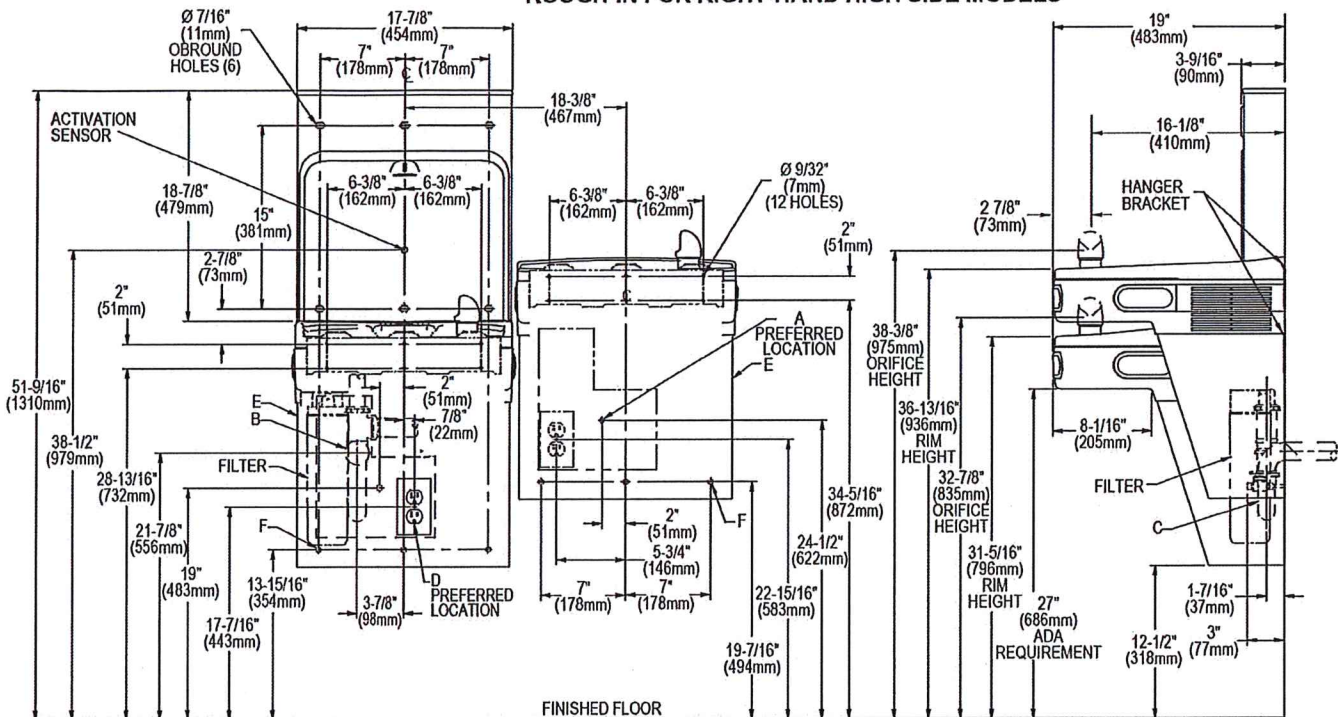
OPERATION OF QUICK CONNECT FITTINGS



Pushing tube in before pulling it out helps to release tube

WaterSentry[®] Plus Filter System

ROUGH-IN FOR RIGHT-HAND HIGH SIDE MODELS



REDUCE HEIGHT BY 3 INCHES FOR INSTALLATION OF CHILDRENS ADA COOLER

LEGEND:

- A = Recommended Water Supply location. Shut-off Valve (not furnished) to accept 3/8" O.D. unplated copper tube. Up to 3" (76mm) maximum out from wall.
- B = Recommended Waste Outlet location. To accommodate 1-1/2" nominal drain. Drain stub 2" (51mm) out from wall.
- C = 1-1/2" Trap (not furnished).
- D = Electrical Supply (3) Wire Recessed Box Duplex Outlet.
- E = Insure proper ventilation by maintaining 6" (152mm) minimum clearance from cabinet louvers to wall.
- F = 7/16" (11mm) Bolt Holes for fastening to wall.

Note : New Installations Must Use Ground Fault Circuit Interrupter (GFCI). It is highly recommended that the circuit be dedicated and the load protection be sized for 20 amps.

In keeping with our policy of continuing product improvement, Elkay reserves the right to change product specifications without notice. Please visit elkay.com for the most current version of Elkay product specification sheets. This specification describes an Elkay product with design, quality, and functional benefits to the user. When making a comparison of other producers' offerings, be certain these features are not overlooked.

PRODUCT SPECIFICATIONS

Elkay ezH2O® Bottle Filling Station & Versatile Bi-Level ADA Cooler, Filtered Non-Refrigerated Stainless. Features shall include Hands Free, Visual Filter Monitor, Filtered, Green Ticker™, Laminar Flow, Antimicrobial, Real Drain. Furnished with Vandal Resistant bubbler. Electronic Bottle Filler Sensor With Electronic Front And Side Bubbler Pushbar activation. Product shall be Wall Mount (On Wall), for Indoor applications, serving 2 station(s). Unit shall be certified to UL 399 and CAN/CSA C22.2 No. 120. Unit shall be lead-free design which is certified to NSF/ANSI 61 & 372 (lead free) and meets Federal and State low-lead requirements.

Special Features:	Hands Free, Visual Filter Monitor, Filtered, Green Ticker™, Laminar Flow, Antimicrobial, Real Drain
Finish:	Stainless Steel
Power:	115V/60Hz
Bubbler Style:	Vandal Resistant
Activation by:	Electronic Bottle Filler Sensor With Electronic Front And Side Bubbler Pushbar
Mounting Type:	Wall Mount (On Wall)
Chilling Option:	Non-refrigerated
Full Load Amps	1.1
Rated Watts:	15
Dimensions (L x W x H):	36-3/4" x 19" x 39-1/16"
Approx. Shipping Weight:	84 lbs.
Installation Location:	Indoor
No. of Stations Served:	2

Special Note: *Coming soon: The Elkay ezH2O you know and love is getting a fresh look, as shown here. In stock models may have prior logo design.

- Visual Filter Monitor: LED Filter Status Indicator for when filter change is necessary.
- Filter is certified to NSF 42 and 53 for lead, particulate, chlorine, taste and odor reduction. 3,000 gal. capacity.
- Green Ticker: Informs user of number of 20 oz. plastic water bottles saved from waste.
- Laminar flow provides clean fill with minimal splash.
- Silver Ion Antimicrobial protection on key plastic components to inhibit the growth of mold and mildew.
- Real Drain System eliminates standing water.



AMERICAN PRIDE. A LIFETIME TRADITION. Like your family, the Elkay family has values and traditions that endure. For almost a century, Elkay has been a family-owned and operated company, providing thousands of jobs that support our families and communities.



Included with Product: Water Cooler (LZSTLDDWSVRSC), Bottle Filler (LZWSR), Filter

▼ Ships in multiple boxes.

PRODUCT COMPLIANCE

- ADA & ICC A117.1
- Buy American Act
- CAN/CSA C22.2 No. 120
- GreenSpec®
- NSF/ANSI 42, 53, 61, & 372 (lead free)
- UL 399



Complies with ADA & ICC A117.1 accessibility requirements when installed according to the requirements outlined in these standards. Installation may require additional components and/or construction features to be fully compliant. Consult the local Authority Having Jurisdiction if necessary.

[Installation Instructions \(PDF\)](#)

Electrical components and water system are warranted for 12 months from date of installation. **Warranty pertains to drinking water applications only. Non-drinking water applications are not covered under warranty.**

[Warranty \(PDF\)](#)

OPTIONAL ACCESSORIES

51300C - WaterSentry Plus Replacement Filter (Bottle Fillers)
LKAPREZL - Elkay Cane Apron for EZ Gray
MLP200 - Accessory - In Wall Carrier (Bi-Level) for bi-level EZ, LZ, EMABF, LMABF, VRC, LVRC models
98568C - WaterSentry Filter Mounting Cover (Stainless Steel)

PART: _____ QTY: _____
 PROJECT: _____
 CONTACT: _____
 DATE: _____
 NOTES: _____
 APPROVAL: _____

In keeping with our policy of continuing product improvement, Elkay reserves the right to change product specifications without notice. Please visit elkay.com for the most current version of Elkay product specification sheets. This specification describes an Elkay product with design, quality, and functional benefits to the user. When making a comparison of other producers' offerings, be certain these features are not overlooked.

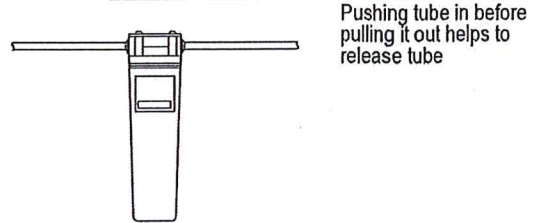
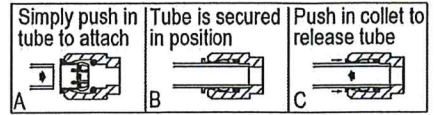
**IMPORTANT!
INSTALLER PLEASE NOTE :**

This water cooler has been designed and built to provide water to the user which has not been altered by materials in the cooler waterways. The grounding of electrical equipment such as telephone, computer, etc. to water lines is a common procedure. The grounding may be in the building but may also occur away from the building. This grounding can cause electrical feedback into a water cooler creating an electrolysis which creates a metallic taste or causes an increase in the metal content of the water. This condition is avoidable by installing the cooler using the proper materials as shown below.

NOTICE

This water cooler must be connected to the water supply using a dielectric coupling. The cooler is furnished with a non-metallic strainer which meets this requirement. The drain trap which is provided by the installer should also be plastic to completely isolate the cooler from the building plumbing system. Bottle filler unit on bracket attached to wall by 6 holes (as shown). Water and electrical will connect through pre-punched hole in basin. These products are designed to operate on 20 psi to 105 psi supply line pressure. Simultaneous operation of both bubblers on a bi-level unit may not be possible depending on water supply pressure. If simultaneous operation is desired, please ensure a minimum of 65 psi supply.

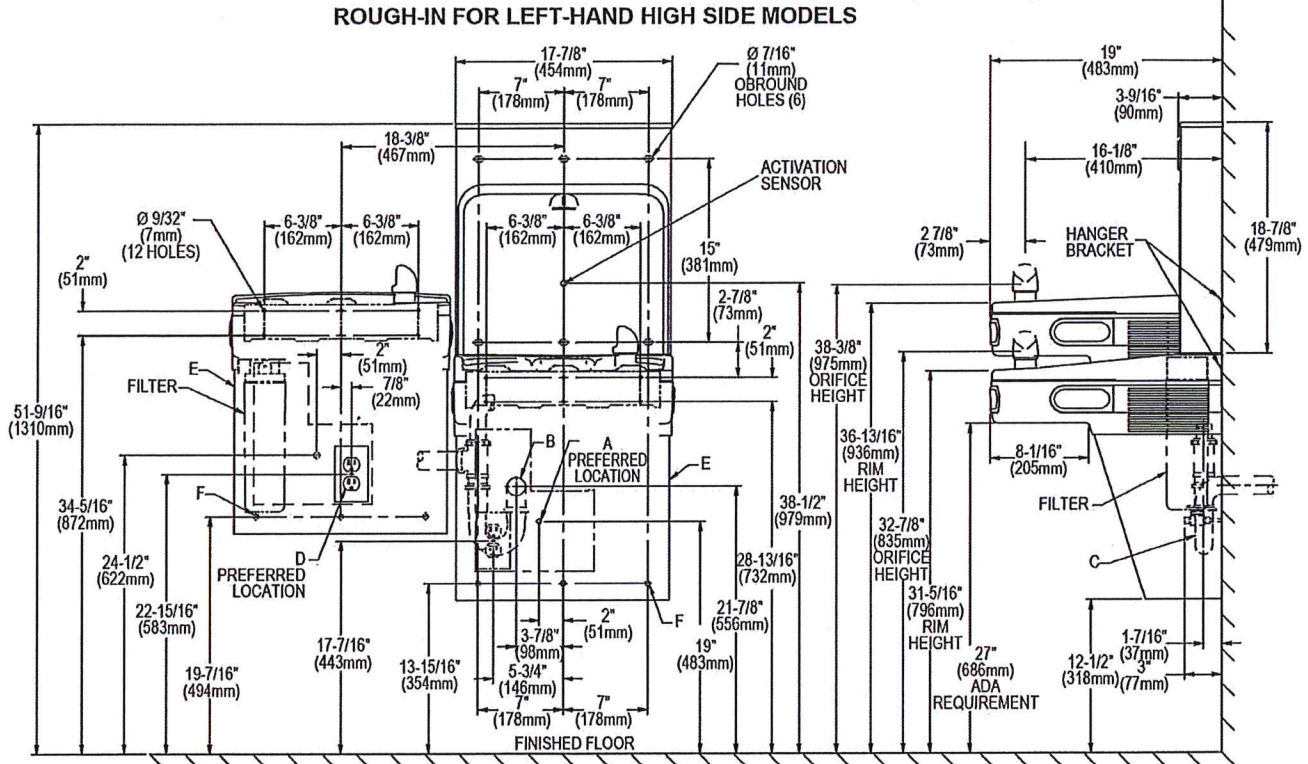
OPERATION OF QUICK CONNECT FITTINGS



Pushing tube in before pulling it out helps to release tube

WaterSentry[®] Plus Filter System

ROUGH-IN FOR LEFT-HAND HIGH SIDE MODELS



LEGEND:

- A = Recommended Water Supply location. Shut-off Valve (not furnished) to accept 3/8" O.D. unplated copper tube. Up to 3" (76mm) maximum out from wall.
 - B = Recommended Waste Outlet location. To accommodate 1-1/2" nominal drain. Drain stub 2" (51mm) out from wall.
 - C = 1-1/2" Trap (not furnished).
 - D = Electrical Supply (3) Wire Recessed Box Duplex Outlet.
 - E = Insure proper ventilation by maintaining 6" (152mm) minimum clearance from cabinet louvers to wall.
 - F = 7/16" (11mm) Bolt Holes for fastening to wall.
- Note : New Installations Must Use Ground Fault Circuit Interrupter (GFCI). It is highly recommended that the circuit be dedicated and the load protection be sized for 20 amps.

REDUCE HEIGHT BY 3 INCHES FOR INSTALLATION OF CHILDRENS ADA COOLER

In keeping with our policy of continuing product improvement, Elkay reserves the right to change product specifications without notice. Please visit elkay.com for the most current version of Elkay product specification sheets. This specification describes an Elkay product with design, quality, and functional benefits to the user. When making a comparison of other producers' offerings, be certain these features are not overlooked.

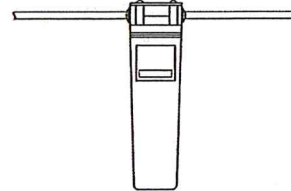
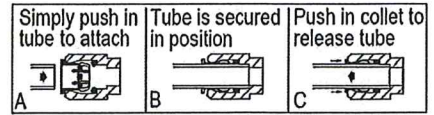
**IMPORTANT!
INSTALLER PLEASE NOTE :**

This water cooler has been designed and built to provide water to the user which has not been altered by materials in the cooler waterways. The grounding of electrical equipment such as telephone, computer, etc. to water lines is a common procedure. The grounding may be in the building but may also occur away from the building. This grounding can cause electrical feedback into a water cooler creating an electrolysis which creates a metallic taste or causes an increase in the metal content of the water. This condition is avoidable by installing the cooler using the proper materials as shown below.

NOTICE

This water cooler must be connected to the water supply using a dielectric coupling. The cooler is furnished with a non-metallic strainer which meets this requirement. The drain trap which is provided by the installer should also be plastic to completely isolate the cooler from the building plumbing system. Bottle filler unit on bracket attached to wall by 6 holes (as shown). Water and electrical will connect through pre-punched hole in basin. These products are designed to operate on 20 psi to 105 psi supply line pressure. Simultaneous operation of both bubblers on a bi-level unit may not be possible depending on water supply pressure. If simultaneous operation is desired, please ensure a minimum of 65 psi supply.

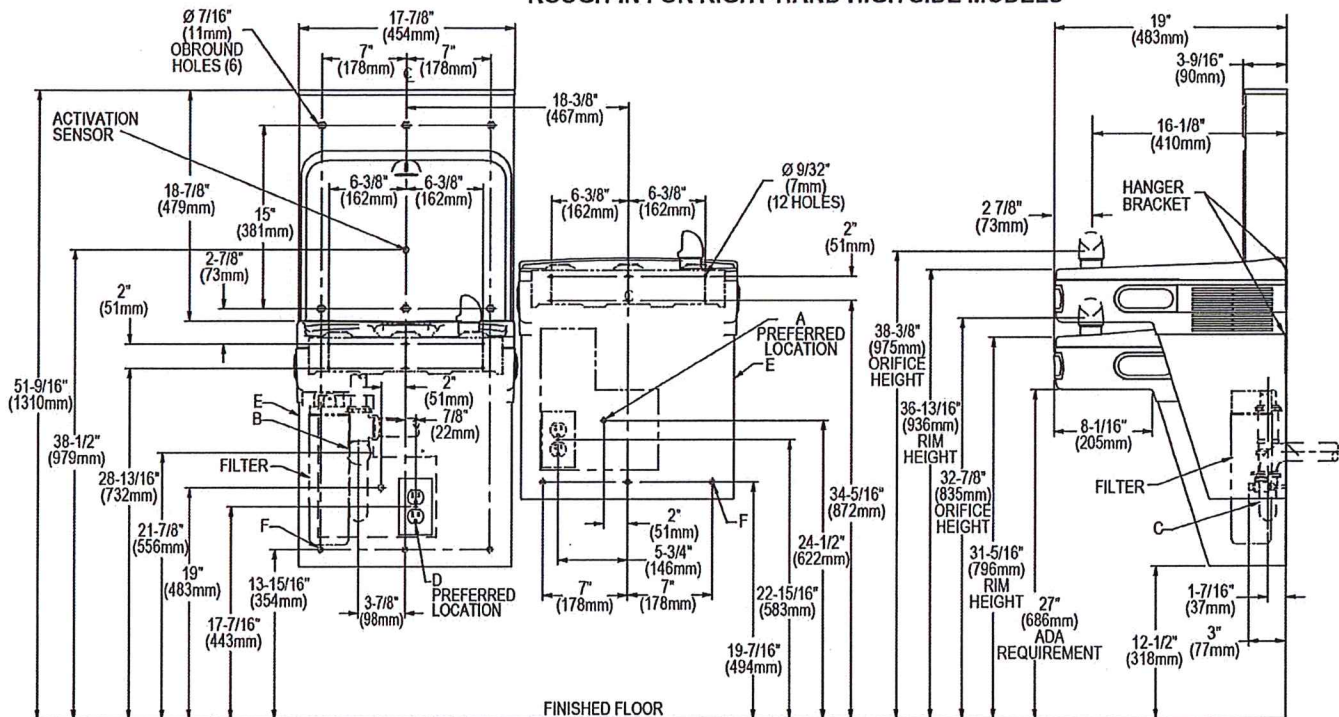
OPERATION OF QUICK CONNECT FITTINGS



Pushing tube in before pulling it out helps to release tube

WaterSentry[®] Plus Filter System

ROUGH-IN FOR RIGHT-HAND HIGH SIDE MODELS



REDUCE HEIGHT BY 3 INCHES FOR INSTALLATION OF CHILDRENS ADA COOLER

LEGEND:

- A = Recommended Water Supply location. Shut-off Valve (not furnished) to accept 3/8" O.D. unplated copper tube. Up to 3" (76mm) maximum out from wall.
- B = Recommended Waste Outlet location. To accommodate 1-1/2" nominal drain. Drain stub 2" (51mm) out from wall.
- C = 1-1/2" Trap (not furnished).
- D = Electrical Supply (3) Wire Recessed Box Duplex Outlet.
- E = Insure proper ventilation by maintaining 6" (152mm) minimum clearance from cabinet louvers to wall.
- F = 7/16" (11mm) Bolt Holes for fastening to wall.

Note : New Installations Must Use Ground Fault Circuit Interrupter (GFCI). It is highly recommended that the circuit be dedicated and the load protection be sized for 20 amps.

In keeping with our policy of continuing product improvement, Elkay reserves the right to change product specifications without notice. Please visit elkay.com for the most current version of Elkay product specification sheets. This specification describes an Elkay product with design, quality, and functional benefits to the user. When making a comparison of other producers' offerings, be certain these features are not overlooked.



model 1920
Bottle Filler

FEATURES & BENEFITS

PUSH BUTTON

With its patented stainless steel, push-button activated valve assembly which allows for front access stream adjustment as well as cartridge and strainer access, this bottle filler offers 100% lead free waterways. The valve works at an operating pressure range of 30 to 90 psi (2.1 to 6.2 bar).

CONSTRUCTION

Unit is made of 14 gauge Type 304 stainless steel with a satin finish that resists stains and corrosion, and has soft rounded corners. Unit features vandal-resistant bottom plate and dispensing nozzle.

LAMINAR FLOW

Adjustable, splash-free, 1 gpm (3.78 L) laminar water flow.

EFFICIENT & FLEXIBLE INSTALLATION

Unit is designed for retrofit or new construction applications. No drain required for mounting over existing drinking fountain.

DURABLE BUILD

Good for indoor or outdoor applications (in non-freezing areas). Made with 100% Stainless Steel for vandal resistance.

MOUNTING OPTIONS

Select from mounting plate and back panel models to complete installation. Unit can mount on various wall types.



SPECIFICATIONS

Model 1920 wall mounted bottle filler shall include 100% lead-free waterways, satin stainless steel construction, 1 gpm (3.78 L) laminar flow, push-button operated stainless steel valve with front-accessible cartridge and flow adjustment. It can be used as a stand-alone station or mounted above the Haws® 1001, 1011, 1107L, 1109, 1117L, and 1119 series drinking fountains.

OPTIONS

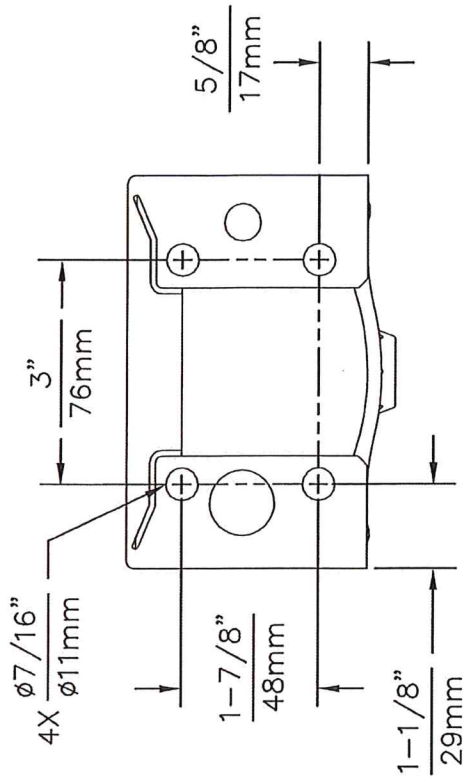
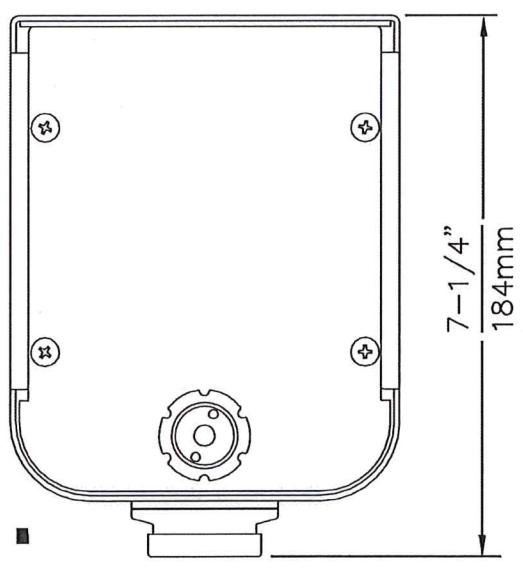
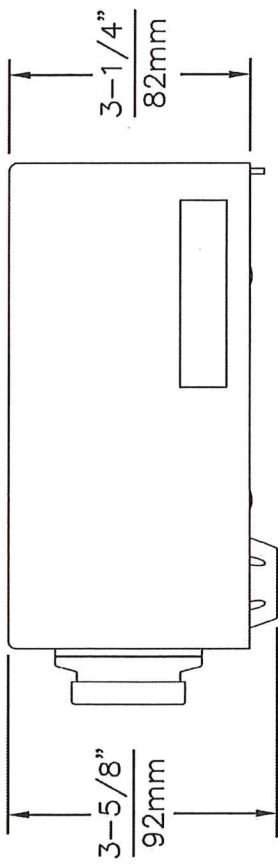
- Back Panel: Model BP32, satin finish stainless steel 32" back panel for model 1920 bottle filler.
- Mounting Plate: Model 6700 universal mounting plate for most wall mounted fountains. Priced Separately.
- Mounting Plate: Model 6700.4L mounting plate for positioning model 1920 over low side of dual drinking fountains.
- Mounting Plate: Model 6700R mounting plate is used with the 1920 series bottle fillers for single or dual fountain retrofit installations.

For more information, visit www.hawsc.com or call (888) 640-4297.

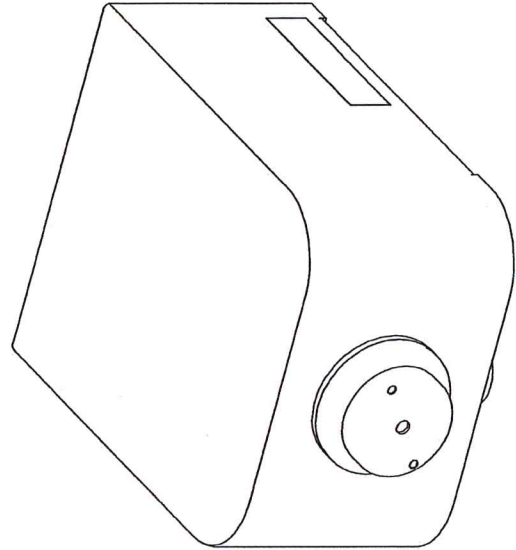
APPLICATIONS

This type of wall mounted bottle filler may be placed in settings such as schools and other locations in and around office buildings with existing fountain installations where the temperature remains above freezing. Haws® manufactures drinking fountains and electric water coolers to be lead-free by all known definitions including NSF/ANSI 61, Section 9, NSF/ANSI 372, California Proposition 65, and the Federal Safe Drinking Water Act. Product is compliant to California Health and Safety Code 116875 (AB 1953-2006).

THIS DOCUMENT IS TRUE AND CORRECT AT TIME OF PUBLICATION. CONTINUED PRODUCT IMPROVEMENTS MAKE SPECIFICATIONS AND MEASUREMENTS SUBJECT TO CHANGE WITHOUT NOTICE.



1920 MOUNTING HOLE LOCATIONS



NOTES:

1. SEE SEPARATE INSTALLATION DRAWINGS FOR MOUNTING PLATES AND BACKPANELS
2. WHEN INSTALLING THIS UNIT, LOCAL, STATE OR FEDERAL CODES SHOULD BE ADHERED TO FOR INSTALLATION LOCATIONS, WASTE & SUPPLY REQUIREMENTS OTHER THAN SHOWN.



1455 KLEPPE LANE
SPARKS, NEVADA 89431
(775) 359-4712 FAX (775) 359-7424
E-MAIL: HAWS@HAWS.CO.COM
WEBSITE: WWW.HAWS.CO.COM

ECN NO. REVISED BY:	MODEL(S)	SCALE:	INSTALLATION:	SIZE: A	SHEET 1 OF 6
5081 ECN:5220	1920/1920HPS/1920W	N/A			
DRAWN: DS	DATE: 02/25/16	DRAWING TYPE:			
APPROVED: FV	DATE: 11/22/17				
	PART NUMBER				
	0510000490.D				
	REVISION				
	4				

THIS DOCUMENT IS TRUE AND CORRECT AT TIME OF PUBLICATION. CONTINUED PRODUCT IMPROVEMENTS MAKE SPECIFICATIONS AND MEASUREMENTS SUBJECT TO CHANGE WITHOUT NOTICE.

6700.4L MOUNTING PLATE
(BEHIND FINISH WALL)
-OR-
6700R RETROFIT PLATE
(ON TOP OF FINISH WALL)

1920/1920HPS
BP32/BP32HPS
(IF FOUNTAIN
HIGH/LOW SIDES
ARE REVERSED
USE BP32R)

(46-1/4")
(1175mm)
BUTTON
HEIGHT
FOR ADA
COMPLIANCE

(27")
(686mm)

**INSTALLATION ABOVE HAWS 1011, 1011HPS,
1011HPSMS, 1011MS, H1011.8, H1011.8HO, H1011.8HPS**

6700 MOUNTING PLATE
(BEHIND FINISH WALL)
-OR-
6700R RETROFIT PLATE
(ON TOP OF FINISH WALL)

1920/1920HPS
BP15/BP15HPS

(47-1/2")
(1206mm)
BUTTON
HEIGHT
FOR ADA
COMPLIANCE

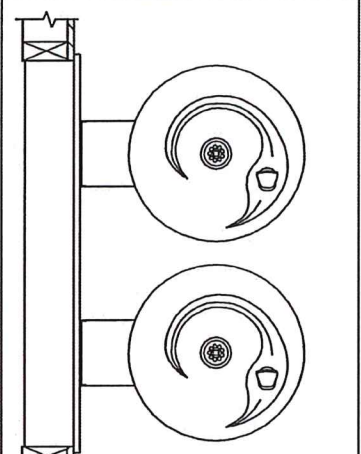
(27")
(686mm)

**INSTALLATION ABOVE HAWS 1001, 1001HPS,
1001HPSMS, 1001MS, H1001.8, H1001.8HPS**

5-5/8"
143mm

7-1/4"
184mm

3/8" PUSH IN TEE
(CONNECT TO
FOUNTAIN SUPPLY)



- * IF YOUR FOUNTAIN IS THIS STYLE USE THESE DIMENSIONS
- 1. SEE SEPARATE INSTALLATION DRAWINGS FOR MOUNTING PLATES AND BACKPANELS
- 2. WHEN INSTALLING THIS UNIT, LOCAL, STATE OR FEDERAL CODES SHOULD BE ADHERED TO FOR INSTALLATION LOCATIONS, WASTE & SUPPLY REQUIREMENTS OTHER THAN SHOWN.

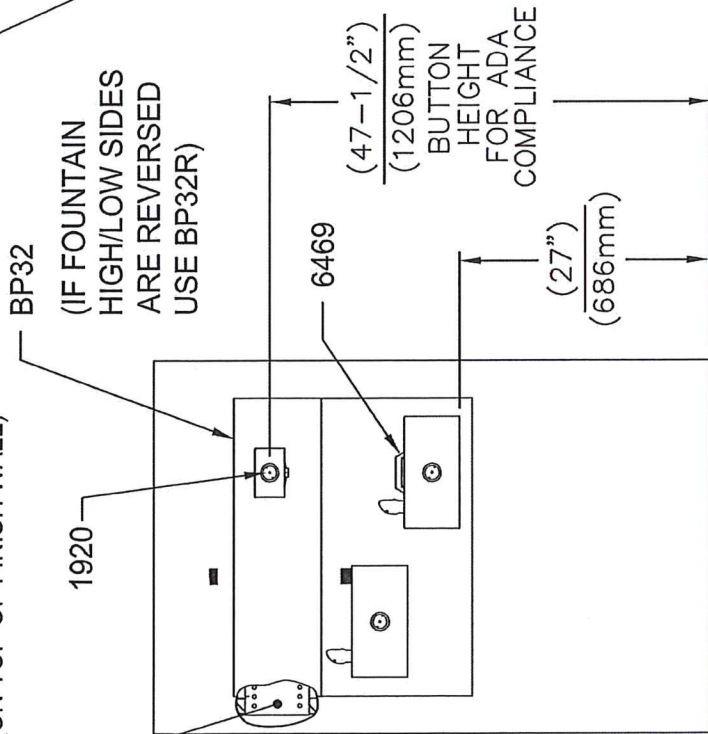


1455 KLEPPELANE
SPARKS, NEVADA 89431
(775) 359-4712 FAX (775) 359-7424
E-MAIL: HAWS@HAWS.CO.COM
WEBSITE: WWW.HAWS.CO.COM

ECN NO.	REVISED PER BY:	DATE:	APPROVED:	FV	SCALE:	N/A	DRAWING TYPE:	INSTALLATION	SIZE:	A	SHEET:	2	OF:	6
FOR TECHNICAL	IP	CHKD:	CC											
DRAWN:	DATE:	01/20/17												
MODEL(S)	MODEL 1920/1920HPS/1920W													
PART NUMBER	0510000490.D													
REVISION	4													

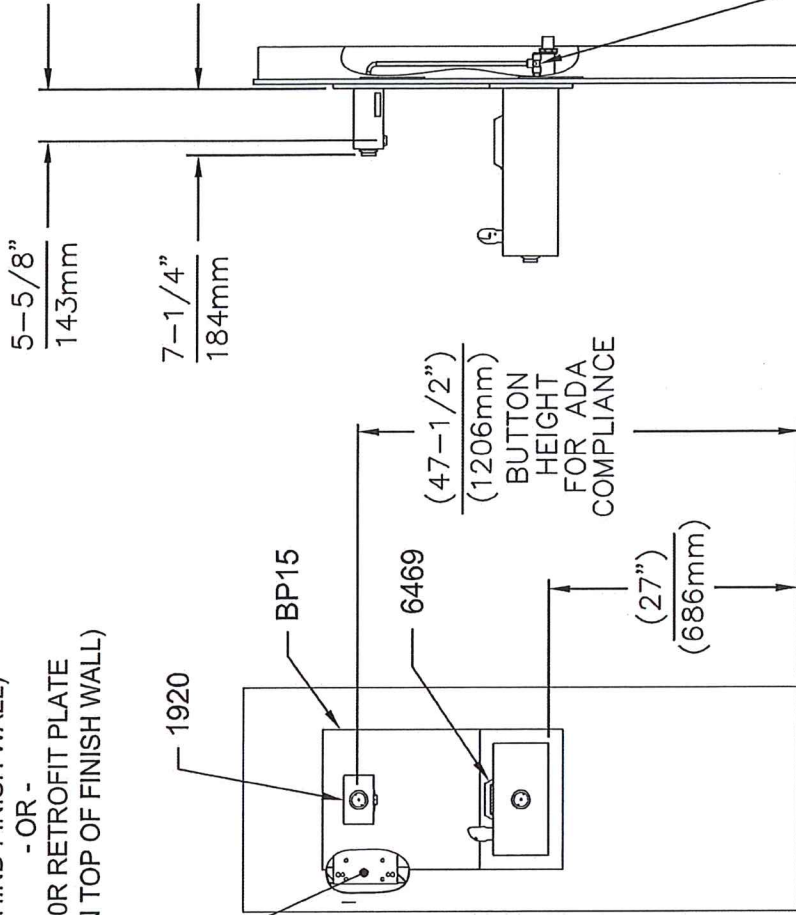
THIS DOCUMENT IS TRUE AND CORRECT AT TIME OF PUBLICATION. CONTINUED PRODUCT IMPROVEMENTS MAKE SPECIFICATIONS AND MEASUREMENTS SUBJECT TO CHANGE WITHOUT NOTICE.

6700.4L MOUNTING PLATE
(BEHIND FINISH WALL)
-OR-
6700R RETROFIT PLATE
(ON TOP OF FINISH WALL)



INSTALLATION ABOVE HAWS 1119, 1119.14, H1119.8

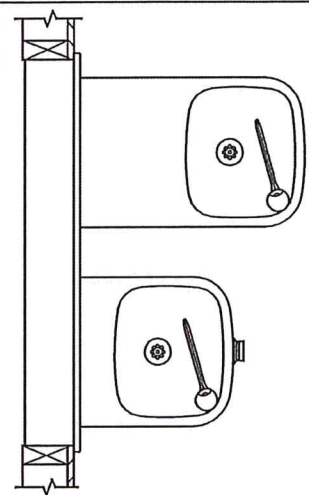
6700 MOUNTING PLATE
(BEHIND FINISH WALL) -
-OR-
6700R RETROFIT PLATE
(ON TOP OF FINISH WALL)



INSTALLATION ABOVE HAWS 1109,
1109.14, H1109.8

* IF YOUR FOUNTAIN IS THIS STYLE USE THESE DIMENSIONS

1. SEE SEPARATE INSTALLATION DRAWINGS FOR MOUNTING PLATES, BACKPANELS & DRIP TRAY
2. WHEN INSTALLING THIS UNIT, LOCAL, STATE OR FEDERAL CODES SHOULD BE ADHERED TO FOR INSTALLATION LOCATIONS, WASTE & SUPPLY REQUIREMENTS OTHER THAN SHOWN.

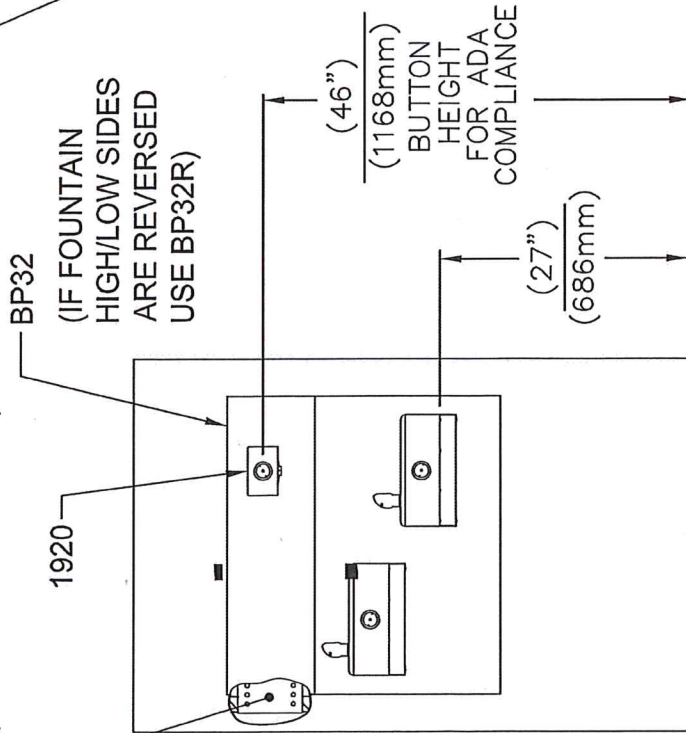


1455 KLEPPE LANE
SPARKS, NEVADA 89431
(775) 359-4712 FAX (775) 359-7424
E-MAIL: HAWS@HAWSCC.COM
WEBSITE: WWW.HAWSCC.COM

ED: NO. REVISED PER: BY:	MODEL(S)	SCALE: N/A	DRAWING TYPE: INSTALLATION	SIZE: A	SHEET 3 OF 6
DATE: 01/30/17	CHKD: CC	DATE: 11/22/17			
APPROVED: FV	MODEL 1920/1920HPS/1920W				
	PART NUMBER 0510000490.D				
	REVISION 4				

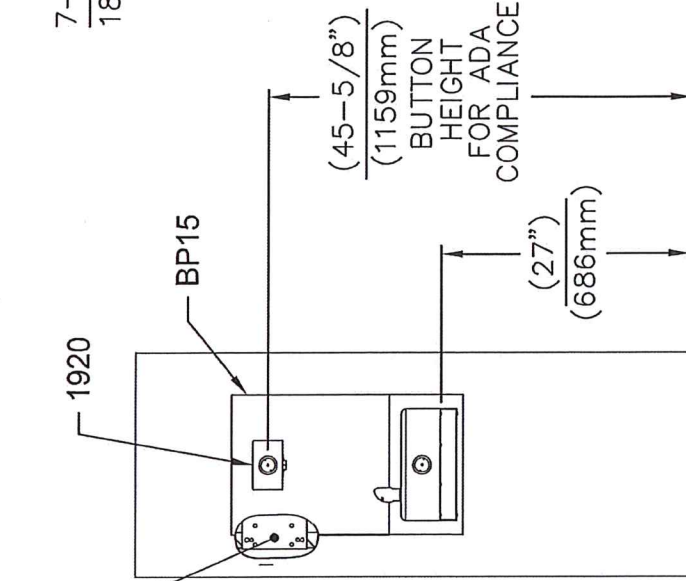
THIS DOCUMENT IS TRUE AND CORRECT AT TIME OF PUBLICATION. CONTINUED PRODUCT IMPROVEMENTS MAKE SPECIFICATIONS AND MEASUREMENTS SUBJECT TO CHANGE WITHOUT NOTICE.

6700.4L MOUNTING PLATE
(BEHIND FINISH WALL)
-OR-
6700R RETROFIT PLATE
(ON TOP OF FINISH WALL)



INSTALLATION ABOVE HAWS 1117L, H1117.8

6700 MOUNTING PLATE
(BEHIND FINISH WALL)
-OR-
6700R RETROFIT PLATE
(ON TOP OF FINISH WALL)



INSTALLATION ABOVE HAWS 1107L, H1107.8

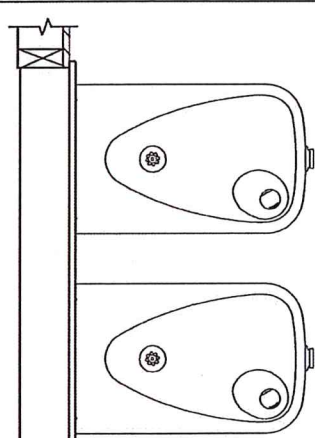
5-5/8"
143mm

7-1/4"
184mm

(45-5/8")
(1159mm)
BUTTON
HEIGHT
FOR ADA
COMPLIANCE

(27")
(686mm)

3/8" PUSH IN TEE
(CONNECT TO
FOUNTAIN SUPPLY)



* IF YOUR FOUNTAIN IS THIS STYLE USE THESE DIMENSIONS

1. SEE SEPARATE INSTALLATION DRAWINGS FOR MOUNTING PLATES AND BACKPANELS
2. WHEN INSTALLING THIS UNIT, LOCAL, STATE OR FEDERAL CODES SHOULD BE ADHERED TO FOR INSTALLATION LOCATIONS, WASTE & SUPPLY REQUIREMENTS OTHER THAN SHOWN.



1455 KLEPPE LANE
SPARKS, NEVADA 89431
(775) 359-4712 FAX (775) 359-7424
E-MAIL: HAWS@HAWS.CO.COM
WEBSITE: WWW.HAWS.CO.COM

ECT: NO. REVISION PER: SY: 5081	LEGN: 520	IP	SCALE: N/A	DRAWING TYPE: INSTALLATION	SIZE: A	SHEET 3 OF 6
DRAWN: MJ	DATE: 01/12/17	CHKD: FV	MODEL(S):	MODEL: 1920/1920HPS/1920W	PART NUMBER: 0510000490.D	REVISION: 4
APPROVED: FV	DATE: 11/29/17					

THIS DOCUMENT IS TRUE AND CORRECT AT TIME OF PUBLICATION. CONTINUED PRODUCT IMPROVEMENTS MAKE SPECIFICATIONS AND MEASUREMENTS SUBJECT TO CHANGE WITHOUT NOTICE.

6700.4L MOUNTING PLATE
(BEHIND FINISH WALL)
-OR-
6700R RETROFIT PLATE
(ON TOP OF FINISH WALL)

BP32W

(IF FOUNTAIN
HIGH/LOW SIDES
ARE REVERSED
USE BP32RW)

1920W

1920W

6700 MOUNTING PLATE
(BEHIND FINISH WALL)
-OR-
BOLT 1920 ON TO
EXISTING WALL

5-5/8"
143mm

7-1/4"
184mm

(45-1/2")
(1156mm)
BUTTON
HEIGHT
FOR ADA
COMPLIANCE

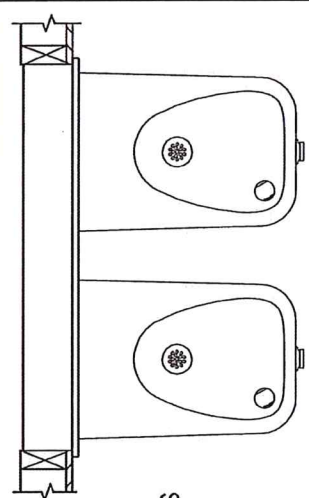
(27")
(686mm)

(27")
(686mm)

INSTALLATION ABOVE HAWS 1501

INSTALLATION ABOVE HAWS 1311

3/8" PUSH IN TEE
(CONNECT TO
FOUNTAIN SUPPLY)



* IF YOUR FOUNTAIN IS THIS STYLE USE THESE DIMENSIONS

1. SEE SEPERATE INSTALLATION DRAWINGS FOR MOUNTING PLATES AND BACKPANELS
2. WHEN INSTALLING THIS UNIT, LOCAL, STATE OR FEDERAL CODES SHOULD BE ADHERED TO FOR INSTALLATION LOCATIONS, WASTE & SUPPLY REQUIREMENTS OTHER THAN SHOWN.

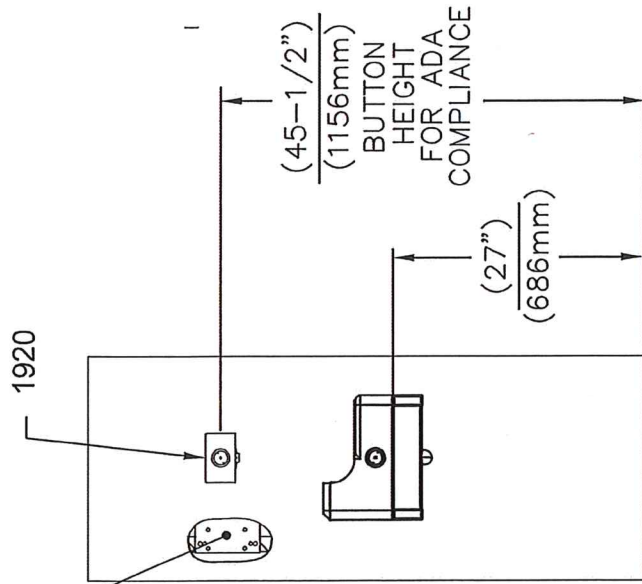


1455 KLEPPE LANE
SPARKS, NEVADA 89431
(775) 359-4712 FAX (775) 359-7424
E-MAIL: HAWS@HAWS.CO.COM
WEBSITE: WWW.HAWS.CO.COM

ECN NO. 5081	REVISED PER BY: LEON-520	IP	MODEL(S)	MODEL 1920/1920HPS/1920W
DRAWN: MJ	DATE: 02/13/17	CHKD: GC	SCALE: N/A	DRAWING TYPE: INSTALLATION
APPROVED: FV	DATE: 11/22/17		SIZE: A	SHEET 5 OF 6
PART NUMBER 0510000490.D			REVISION 4	

THIS DOCUMENT IS TRUE AND CORRECT AT TIME OF PUBLICATION. CONTINUED PRODUCT IMPROVEMENTS MAKE SPECIFICATIONS AND MEASUREMENTS SUBJECT TO CHANGE WITHOUT NOTICE.

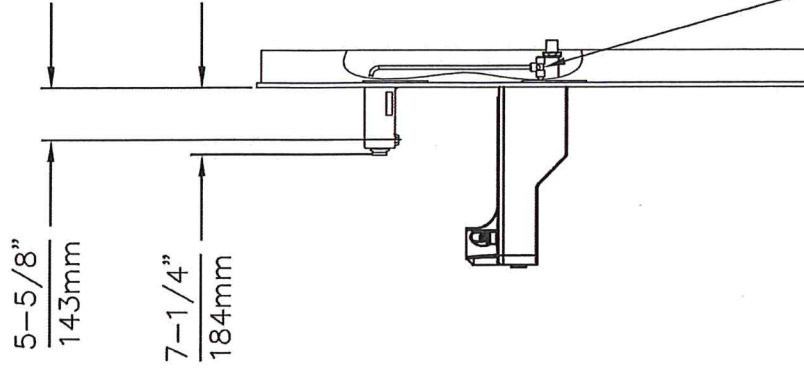
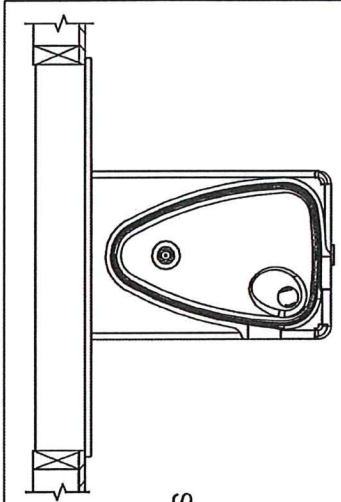
6700 MOUNTING PLATE
(BEHIND FINISH WALL)
- OR -
BOLT 1920 ON TO
EXISTING WALL



INSTALLATION ABOVE HAWS 1047

* IF YOUR FOUNTAIN IS THIS STYLE USE THESE DIMENSIONS

1. SEE SEPERATE INSTALLATION DRAWINGS FOR MOUNTING PLATES AND BACKPANELS
2. WHEN INSTALLING THIS UNIT, LOCAL, STATE OR FEDERAL CODES SHOULD BE ADHERED TO FOR INSTALLATION LOCATIONS, WASTE & SUPPLY REQUIREMENTS OTHER THAN SHOWN.



3/8" PUSH IN TEE
(CONNECT TO
FOUNTAIN SUPPLY)



1455 KLEPPE LANE
SPARKS, NEVADA, 89431
(775) 359-4712 FAX (775) 359-7424
E-MAIL: HAWS@HAWS.CO.COM
WEBSITE: WWW.HAWS.CO.COM

ECN NO. REVISED BY: IP	SCALE: N/A	DRAWING TYPE: INSTALLATION	SIZE: A	SHEET 5 OF 5
ECN: 5220	DATE: 09/14/17	DATE: 11/22/17		
DRAWN: JP	CHKD: GC	APPROVED: FV		
MODEL(S):	MODEL 1920/1920HPS/1920W			
PART NUMBER:	0510000490.D(3)			
REVISION:	1			

COMPTON COMMUNITY COLLEGE DISTRICT

ALLOWANCES

PART 1 - GENERAL

1.1 SECTION INCLUDES

- A. Allowances which the Contractor shall provide for designated construction activities in the Work and in this bid.
- B. The provisions in this Section only apply if the Owner includes Allowances in the Contract.

1.2 RELATED DOCUMENTS

- A. The Conditions of the Contract and other section of Division 01 apply to this section as fully as if repeated herein, including Section 01 01 00 – Scope of Work.

1.3 DESCRIPTION OF REQUIREMENTS

- A. Definitions and Explanations: Certain requirements of the construction related to each allowance are indicated and specified. The Allowance has been established by the Owner and represents selection by the Owner of selected Sub-Contractors for designated portions of the work specified and shown.
- B. Types of allowance scheduled herein for the Work include lump sum cash allowances. Include all allowances in Contract sum, and identify all allowances in Schedule of Values as separate line items.
- C. Selection and Purchase: At earliest feasible date after award of contract, advise the Architect/Engineer of scheduled date when final selection and purchase of each product or system described by each allowance must be accomplished in order to avoid delays in performance of the Work.
 - 1. Establish date by which Prime Contractor must enter into contract and coordinate with sub-contractor responsible for work defined by allowance.
 - 2. Establish date by which final list of products must be established for purchase of products and systems as specifically selected by the District.

COMPTON COMMUNITY COLLEGE DISTRICT

1.4 DEFINITIONS AND DESCRIPTION OF REQUIREMENTS

A. Cash Allowance Criteria

1. The Allowance is used only as directed by the Owner.
2. The Allowance is used exclusively for the Owner's purposes and for scope(s) of work as directed by Owner.
3. The sub-contractor will prepare detailed breakdown of all costs associated with the work defined for the Allowance. These amounts will be charged against the Allowance by Change Order, based on final detailed payment receipts and back-up as required by Architect/Engineer, and will include all costs of work performed under the defined work scope.
 - a. If required by Owner, Contractor shall obtain quotes for equipment from three separate vendors and present to District for consideration and selection.
4. Contractor shall include in the base bid contract amount all cost of coordination, supervision, bond costs, overhead and profit, supervision, installation and all indirect project costs associated with performing the work of each Allowance. Contractor shall be permitted to charge only its direct costs to perform the work, as indicated through documentation approved by the District.
 - a. At project closeout, any unused Cash Allowance amounts shall be credited to the Owner by Change Order. Contractor shall not deduct costs such as bond costs, overhead and profit or other indirect costs when returning any unused Cash Allowance amounts.
 - b. Changes that exceed the scope of work or amount of each Allowance covered by each allowance will be processed as a Change Order per Contract Documents.

PART 2 – PRODUCTS - (Not Applicable)

PART 3 – EXECUTION

3.1 SCHEDULE OF CASH ALLOWANCES

COMPTON COMMUNITY COLLEGE DISTRICT

1. This Contractor will provide a \$5,000.00 Allowance which is to be included in the base bid. This allowance is to be used at the District's discretion.

COMPTON COMMUNITY COLLEGE DISTRICT

ALTERNATES

PART 1 - GENERAL

1.1 SUMMARY

- A. This Section specifies administrative and procedural requirements for Alternates.
- B. Definition: An Alternate or Alternate Bid is an amount proposed by Bidders and stated on the Bid Form for certain construction activities defined in the Bidding Requirements that may be added to or deducted from Base Bid amount if the School District decides to accept a corresponding change in either the amount of construction to be completed, or in the products, materials, equipment, systems or installation methods described in Contract Documents.
- C. Coordination: Coordinate related Work and modify or adjust adjacent Work as necessary to ensure that Work affected by each accepted Alternate is complete and fully integrated into the project.
- D. Notification: Immediately following the award of the Contract, prepare and distribute to each party involved, notification of the status of each Alternate. Indicate whether Alternates have been accepted, rejected or deferred for consideration at a later date. Include a complete description of negotiated modifications to Alternates.
- E. A "Schedule of Alternates" is included as an attachment at the end of this section.
 - 1. Include as part of each Alternate, miscellaneous devices, accessory objects and similar items incidental to or required for a complete installation whether or not mentioned as part of the Alternate.

1.2 RELATED DOCUMENTS

- A. Drawings and general provisions of Contract, including General and Supplementary Conditions and other Division-1 Specification Sections, apply to this Section.
- B. Bid Form

PART 2 – PRODUCTS - (Not Applicable)

COMPTON COMMUNITY COLLEGE DISTRICT

PART 3 - EXECUTION

3.1 SCHEDULE OF ALTERNATES

1. There are no alternates on this bid.

END OF SECTION

COMPTON COMMUNITY COLLEGE DISTRICT

CONTRACT MODIFICATION PROCEDURES

PART 1 - GENERAL

1.1 SUMMARY

- A. This Section specifies administrative and procedural requirements for making modifications to the contract including:
 - 1. Change Orders/Allowance Usage
 - 2. Construction Change Documents (see General Conditions)
 - 3. Contract Credits
 - 4. Contract Additions
 - 5. Construction Change Directives
 - 6. Emergency Change Directives (see General Conditions)
 - 7. Instructions

- B. Modifications:
 - 1. Provide full written data required to evaluate contract modifications, including breakdown of labor, material, equipment and description of work with unit costs for each category.
 - 2. Maintain detailed records of work done on a time-and-material basis.
 - 3. Provide full documentation for all proposed Change Orders to the Architect for his review.

- C. Designate in writing the member of Contractor's organization:
 - 1. Who is authorized to accept changes in the Work.
 - 2. Who is responsible for informing others in the Contractor's employ of the authorization of changes in the Work.

COMPTON COMMUNITY COLLEGE DISTRICT

1.2 RELATED SECTIONS

- A. Addenda: All issued Addendums
- B. Agreement: The amounts of unit prices if any as established in the Contract.
- C. General Conditions Article 9, Changes in the Work.
- D. Section 01 33 00 - Submittals
- E. Section 01 63 00 - Product Substitution Procedures

1.3 REFERENCES

- A. Change Order Requirements per Title 24 Part 1 CCR.
 - 1. Changes in the plans and specifications are to be made by addenda or Change Orders or construction change documents approved by the Division of the State Architect, Title 24 Part 1 Section 4-338.
 - 2. Change Orders: Changes or alterations of the approved plans or specifications after a contract for the work has been awarded are to be made by means of Change Orders. State the reason for the change and provide supplementary drawings where necessary. Change Orders must be manually signed by the Architect or Engineer in general responsible charge of observation of the work or by the Architect or Engineer delegated responsibility for observation of the portion of the work affected by the Change Order.
 - 3. Change Orders are required to bear the approval of the School Board or their authorized representative upon delegated authority.
 - 4. One original signed copy by all parties of each Change Order is required for the files of the Division of the State Architect.

1.4 PRELIMINARY PROCEDURES

- A. The Architect or School District may initiate changes by submitting a Request For Quotation. The request will include:

COMPTON COMMUNITY COLLEGE DISTRICT

1. Detailed description of the Change, Products, and location of the change in the Project. Changes may include additions and deletions from the Contract.
 2. Supplementary or revised Drawings and Specifications.
 3. The projected time span for making the change and a specific statement as to whether overtime work is, or is not, authorized.
 4. A specific period of time during which the requested price will be considered valid.
 5. Such request is for information only, and is not an instruction to execute the changes, nor to stop Work in progress.
- B. Contractor may initiate changes by submitting a written Allowance Usage Request or Proposed Change Order Request to the Architect or School District containing:
1. Description of the proposed change.
 2. Statement of the reason for making the changes.
 3. Statement of the effect on the Contract Sum/ Contract Price and the Contract Time.
 4. Statement of the effect on the Work of separate contractors with breakdown of costs for labor, materials and equipment.
 5. Documentation supporting any change in Contract Sum/ Contract Price or Contract Time, as appropriate.

1.5 CONSTRUCTION CHANGE DIRECTIVES

- A. In lieu of Proposal Request, the School District through the Construction Manager may issue, a Construction Change Directive (also referred to as an Immediate Change Directive in the General Conditions) for Contractor to proceed with a change which shall state a basis for adjustment, if any, in the Contract Sum/ Contract Price or Contract Time, or both.
- B. Authorization will describe changes in the Work, both additions and deletions, with attachments of revised Contract Documents to define details of the change, and will designate the method of

COMPTON COMMUNITY COLLEGE DISTRICT

determining any change in the Contract Sum/ Contract Price and any change in Contract Time.

- C. The School District and Architect will sign and date the Construction Change Directive as authorization for the Contractor to proceed with the changes.
- D. Contractor may sign and date the Construction Change Directive to indicate agreement with the terms therein.

1.6 DOCUMENTATION OF PROPOSALS AND CLAIMS

- A. Support each quotation for a lump-sum proposal, and for each unit price which has not previously been established, with sufficient substantiating data to allow the Architect/Engineer and School District to evaluate the quotation.
- B. On request provide additional data to support time and cost computations:
 - 1. Labor required in hours with unit costs.
 - 2. Equipment required.
 - 3. Products required in units.
 - a. Recommended source of purchase and unit cost.
 - b. Quantities required.
 - 4. Taxes, insurance and bonds.
 - 5. Credit for Work deleted from Contract, similarly documented.
 - 6. Overhead and profit.
 - 7. Justification for any change in Contract Time.
- C. Support each claim for additional costs, and for work done on a time and material basis, with documentation as required for a lump-sum proposal, plus additional information:
 - 1. Name of the School District's authorized agent who ordered the work, and date of the order.
 - 2. Dates and times work was performed, and by whom.

COMPTON COMMUNITY COLLEGE DISTRICT

3. Time record, summary of hours worked, and hourly rates paid.
 4. Receipts and invoices for:
 - a. Equipment used, listing dates and times of use.
 - b. Products used, listing of quantities.
 - c. Subcontracts.
- D. Document requests for Substitution of Products as specified in Section 01 63 00.

1.7 CONSTRUCTION CREDITS

- A. Work deleted and no work has been completed by the Contractor: Work deleted from the contract is to be credited back to the District and subtracted from the contract amount. Credits are to be included in Change Orders.
1. Contractor shall credit back to the District total value for the work deleted from the contract. Cost of credits shall be determined by the amount stated in the Contractor's Schedule of Values.
 2. Where the value of credits cannot be determined from the Contractor's Schedule of values, total value of the credit is to be determined by the cost of materials, labor, overhead and profit, insurance, bonds, etc. All General Contractor, Subcontractor and Material Supplier levels of the Contract are to be included in the total value of credits back.
 3. No amount at any level of the contract shall be withheld from credits for overhead and profit, insurance, bonds, time delays, construction schedule changes and administrative expenses.
- B. Work deleted and a portion of the work has been completed by the Contractor: Work deleted from the contract is to be credited back to the District and subtracted from the contract amount. Credits are to be included in Change Orders.
1. Contractor shall credit back to the District the total value of the work deleted from the contract less any work already

COMPTON COMMUNITY COLLEGE DISTRICT

completed on the credit item. Cost of credits shall be determined by the amount stated in the Contractor's Schedule of Values less any work already completed. Completed work may include cost of shop drawings, submittals, site preparation, partially completed work on the credit item or other expenses related to the item.

2. Where the value of credits cannot be determined from the Contractor's Schedule of values, total value of the credit is to be determined by the cost of materials, labor, overhead and profit, insurance, bonds, etc. All General Contractor, Subcontractor and Material Supplier levels of the Contract are to be included in the total value of credits back.
3. An amount equal to the percentage of work already completed on the deleted item may be withheld from credits back for overhead and profit, insurance, bonds, construction schedule adjustments and administrative expenses, as indicated in the General Conditions (Section 00700).

1.8 PREPARATION OF CHANGE ORDERS

- A. The Architect or Construction Manager will prepare each Change Order.
- B. Change Order will describe changes in the Work, both additions and deletions, with attachments of revised Contract Documents to define details of the change.
- C. Change Order will provide an accounting of the adjustment in the Contract Sum/ Contract Price and in the Contract Time.

1.9 LUMP-SUM/FIXED PRICE CHANGE ORDER

- A. Content of Change Orders will be based on either:
 1. The School District's Proposal Request and Contractor's responsive Proposal as mutually agreed with the School District.
 2. Contractor's Proposal for a change, as recommended by the School District or their authorized agent.
- B. The School District, Division of the State Architect and Architect or Engineer in responsible charge will sign and date the Change

COMPTON COMMUNITY COLLEGE DISTRICT

Order as an authorization for the Contractor to proceed with the changes.

- C. The Contractor will sign and date the Change Order to indicate agreement with the terms therein.

1.10 UNIT PRICE CHANGE ORDER

- A. Content of Change Orders will be based on either:
 - 1. The School District's definition of the scope of the required changes.
 - 2. Contractor's Proposal for a change, as recommended by the School District or Authorized Agent.
 - 3. Survey of completed work.
- B. The amounts of the unit prices to be:
 - 1. Those stated in the Agreement.
 - 2. Those mutually agreed upon between School District and Contractor.
- C. When quantities of each of the items affected by the Change Order can be determined prior to start of the work:
 - 1. The School District and Architect or Engineer in responsible charge will sign and date the Change Order as authorization for Contractor to proceed with the changes.
 - 2. Contractor is to sign and date the Change Order to indicate agreement with the terms therein.
- D. When quantities of the items cannot be determined prior to start of the work:
 - 1. The School District through the Architect will issue a Construction Change Directive directing the Contractor to proceed with the change on the basis of unit prices, and will cite the applicable unit prices.
 - 2. At completion of the change, the School District or its authorized agent will determine the cost of such work based on the unit prices and quantities used.

COMPTON COMMUNITY COLLEGE DISTRICT

3. The Contractor shall submit documentation to establish the number of units of each item and any claims for a change in Contract Time.
4. The School District, Division of the State Architect and Architect or Engineer in responsible charge will sign and date the Change Order as authorization for the Contractor to proceed with the Changes.
5. The Contractor will sign and date the Change Order to indicate agreement with the terms therein.

1.11 TIME AND MATERIALS CHANGE ORDER/CONSTRUCTION CHANGE DIRECTIVE:

- A. The School District through the Architect will issue a Construction Change Directive directing Contractor to proceed with the changes
- B. At completion of the change, Contractor shall submit itemized accounting and supporting data as provided in the Article 1.6, "Documentation of Proposals and Claims," of this Section.
- C. The School District or its authorized representative will determine the allowable cost of such work, as provided in General Conditions and Supplementary Conditions.
- D. The School District, Division of the State Architect and Architect or Engineer in general responsible charge will sign and date the Change Order to authorize the change in Contract Sum/ Contract Price and in Contract Time.
- E. The Contractor will sign and date the Change Order to indicate agreement with the terms therewith.

1.12 INSTRUCTIONS

- A. Architect's Supplemental Instructions:
 1. Minor changes in the work shall be carried out in accordance with supplemental instructions issued in accordance with the Contract Documents without change in Contract Sum/ Contract Price or Contract Time.
 2. The Architect will issue, sign, and date Supplemental Instructions.

COMPTON COMMUNITY COLLEGE DISTRICT

3. The Contractor will sign and date Supplemental Instructions to indicate acceptance of minor changes consistent with the Contract Documents and return signed copy to Architect.

1.13 CORRELATION WITH CONTRACTOR'S SUBMITTALS

- A. Periodically revise Schedule of Values and Request for Payment forms to record each change as a separate item of Work and to record the adjusted contract amounts.
- B. Periodically revise the Construction Schedule to reflect each change in Contract Time.
- C. Revise sub-schedules to show changes for other items of work affected by the changes.
- D. Upon completion of work under a Change Order, enter pertinent changes in Record Documents.

1.14 FORMS

- A. Submit Proposal Request typed on AIA Document G709. A Copy of this form may be obtained from the local American Institute of Architects, Chapter Office
- B. Submit Change Orders typed on the Change Order Form included in this Project Manual. Form is included in General Conditions and at the end of this Section.
- C. Submit Potential Change Order on the Potential Change Order Form included in this Project Manual. Form is included in General Conditions and at the end of this Section
- D. Submit Supplemental Instructions typed on the form included in this Project Manual on 01 30 50-24, Requests For Information (RFI's).
- E. Immediate Change Directive Form is included in the Supplementary General Conditions.

PART 2 – PRODUCTS - (Not Applicable)

PART 3 – EXECUTION - (Not Applicable)

END OF SECTION

COMPTON COMMUNITY COLLEGE DISTRICT

PAYMENT PROCEDURES

PART 1 - GENERAL

1.1 SUMMARY

- A. This Section specifies administrative and procedural requirements governing the Contractor's Applications for Payment.
- B. Submit applications for payment to Construction Manager in accordance with the schedule established by the conditions of the Contract and Agreement between Owner and Contractor.
- C. The Contractor's Construction Schedule and Submittal Schedule are included in Section "Submittals".
- D. The Contractor agrees to provide an updated certified "As-Built" with every pay application both "Hard Copy" and electronic copy that is approved by the Architect/ Engineer, Inspector of Record, and the Construction Manager.

1.2 SCHEDULE OF VALUES

- A. Coordinate preparation of the Schedule of Values with preparation of the Contractor's Construction Schedule.
 - 1. Submit the Schedule of Values to the Construction Manager at the earliest feasible date, but in no case later than 10 days before the date scheduled for submittal of the initial Application for Payment.
- B. Format and Content: Use the Project Manual Table of Contents as a guide to establish the format for the Schedule of Values.
 - 1. Identification: Include the following Project identification on the Schedule of Values:
 - a. Project name and location.
 - b. Name of the Architect/ Engineer.
 - c. Project number.
 - d. Contractor's name and address.

COMPTON COMMUNITY COLLEGE DISTRICT

- e. Date of submittal.
2. Arrange the Schedule of Values in a tabular form with separate columns to indicate the following for each item listed:
 - a. Generic name.
 - b. Related Specification Section.
 - c. Name of subcontractor.
 - d. Dollar value.
 - e. Percentage of Contract Sum/ Contract Price to the nearest one-hundredth percent, adjusted to total 100 percent.
3. Provide a breakdown of the Contract Sum/ Contract Price in sufficient detail to facilitate continued evaluation of Applications for Payment and progress reports. Break principal subcontract amounts down into specific line items.
4. Round amounts off to the nearest whole dollar; the total shall equal the Contract Sum/ Contract Price.
5. For each part of the Work where an Application for Payment may include materials or equipment, purchased or fabricated and stored, but not yet installed, provide separate line items on the Schedule of Values for initial cost of the materials, for each subsequent stage of completion, and for total installed value of that part of the Work.
6. Schedule Updating: Update and resubmit the Schedule of Values when Change Orders or Construction Change Directives result in a change in the Contract Sum/ Contract Price.

1.3 APPLICATIONS FOR PAYMENT:

- A. Each Application for Payment shall be consistent with previous applications and payments as certified by the Architect/ Engineer and paid for by the School District.
- B. Payment Application Times: Each progress payment date is as indicated in the Agreement. The period of construction Work

COMPTON COMMUNITY COLLEGE DISTRICT

covered by each Application or Payment is the period indicated in the Agreement.

- C. Payment Application Forms: Use AIA Document G702 and Continuation Sheets G 703 as the form for Application for Payment.
- D. Application Preparation: Complete every entry on the form, including notarization and execution by person authorized to sign legal documents on behalf of the School District. Incomplete applications will be returned without action.
 - 1. Entries shall match data on the Schedule of Values and Contractor's Construction Schedule. Use updated schedules if revisions have been made.
 - 2. Include amounts of Change Orders and Construction Change Directives issued prior to the last day of the construction period covered by the application.
 - 3. Transmit each copy with a transmittal form listing attachments, and recording appropriate information related to the application in a manner acceptable to the Engineer and Construction Manager.
 - 4. When the Architect/ Engineer finds the application completed and correct will transmit a certificate for payment to Owner with a copy to the Contractor.
- E. Lien Releases: With each Application for Payment submit Lien Releases from subcontractors or sub- subcontractors and suppliers for the construction period covered by the previous application.
 - 1. Submit partial Lien Releases on each item for the amount requested, prior to deduction for retainage, on each item.
 - 2. When an application shows completion of an item, submit final or full Lien Releases.
 - a. Submit final Application for Payment with or preceded by final Releases from every entity involved with performance of Work covered by the application that could lawfully be entitled to a lien.
 - 3. Waiver Forms: Submit waivers of lien on forms, and executed in a manner, acceptable to the School District.

COMPTON COMMUNITY COLLEGE DISTRICT

- F. Initial Application for Payment: Administrative actions and submittals that must precede or coincide with submittal of the first Application for Payment include, without limitation, the following (see also General Conditions):
1. List of subcontractors.
 2. Schedule of Values.
 3. Contractor's Construction Schedule (preliminary if not final).
 4. Copies of authorizations and licenses from governing authorities for performance of the Work.
 5. Certificates of insurance and insurance policies.
 6. Performance and payment bonds (if required).
- G. Application for Payment at Substantial Completion: Upon Substantial Completion, submit an Application for Payment.
1. Administrative actions and submittals that shall proceed or coincide with this application include, without limitation, the following (see also General Conditions):
 - a. Project inspector's status of completion report.
 - b. Warranties (guarantees) and maintenance agreements.
 - c. Test/adjust/balance records.
 - d. Maintenance instructions.
 - e. Meter readings.
 - f. Start-up performance reports.
 - g. Change-over information related to Owner's occupancy, use, operation and maintenance.
 - h. Final cleaning.
 - i. List of incomplete Work, recognized as exceptions to the Certificate of Substantial Completion.

COMPTON COMMUNITY COLLEGE DISTRICT

- H. Final Payment Application: Administrative actions and submittals that must precede or coincide with submittal of the final payment Application for Payment include, without limitation, the following (see also General Conditions):
1. Completion of Project closeout requirements.
 2. Completion of items specified for completion after Substantial Completion.
 3. Assurance that unsettled claims will be settled.
 4. Assurance that Work not complete and accepted will be completed without undue delay.
 5. Transmittal of required Project construction records to Owner.
 6. Removal of temporary facilities and services.
 7. Removal of surplus materials, rubbish and similar elements.
 8. Submit the final complete "As-builts" both hard copy and electronic copies with proper electronic titles for each page.

PART 2 – PRODUCTS - (Not Applicable)

PART 3 – EXECUTION - (Not Applicable)

END OF SECTION

COMPTON COMMUNITY COLLEGE DISTRICT

POST BID INTERVIEW FORM

CONSTRUCTION MANAGER FIRM

PCM3, Inc.
1111 E. Artesia Blvd.
Compton, CA 90221

BIDDER: _____

DATE: _____ TIME: _____ PHONE # _____

I. INTRODUCTIONS: (SIGN IN BELOW)

A. Present

_____	_____
CONTRACTOR	CONTRACTOR
_____	_____
_____	_____
_____	_____
CONSTRUCTION MANAGER	CONSTRUCTION MANAGER

II. PROPOSED CONTRACT: _____

III. PURPOSE OF INTERVIEW IS TO ASSURE:

- | | | |
|--|-----|----|
| A. Contractor acknowledgment of a complete and accurate bid. | Yes | No |
| B. Contractor submission of a fair and equitable bid. | Yes | No |
| C. Fair comparisons of bid. | Yes | No |

Initials: _____
Contractor Construction Manager

COMPTON COMMUNITY COLLEGE DISTRICT

IX. CONTRACTOR

The foregoing information is true and accurate, and I am authorized to sign as an office of the company I am representing.

Company Name _____

Signature: _____ Title: _____

Date: _____

X. CONSTRUCTION MANAGER

Signature: _____ Title: _____

Date: _____

XI. Witness:

Signature: _____

Date: _____

END OF SECTION

Initials: _____
Contractor

Construction Manager

CONSTRUCTION PROCEDURE MANUAL

COMPTON COMMUNITY COLLEGE DISTRICT

COMPTON COMMUNITY COLLEGE DISTRICT Construction Procedures Manual

TABLE OF CONTENTS

- I. INTRODUCTION
- II. PROJECT PROCEDURES
 - A. Communications
 - B. Meetings
 - C. Site Rules
 - D. Project Documents
 - E. A/E Review Comments
 - F. Submittal & Shop Drawing Quantities
 - G. Distribution of Reviewed Submittals
 - H. Request for Information (RFI)
 - I. Schedules
 - J. Inspection and Testing
 - K. Verified Reports
 - L. Safety
 - M. Change Order Procedure
 - N. Application for Payment
 - O. Pay Estimate Procedure
 - P. Posting for Project Documents (Plans and Specifications)
 - Q. Item of Change (IOC) Log to be kept and maintained by Construction Manager
- III. PROJECT / CONTRACT COMPLETION
- IV. CONTRACT CLOSE-OUT
- V. APPENDIX - General Forms

COMPTON COMMUNITY COLLEGE DISTRICT

Construction Procedures Manual

I. INTRODUCTION

This Construction Procedures Manual has been developed for the Compton Community College District.

The purpose of this Manual is to provide the Owner, the Architect, Engineer, Inspector and Contractors detailed information concerning the specific project requirements and procedures.

This manual delineates lines of authority and responsibility of the team members associated with this Project.

Questions or suggested changes to this manual may be addressed to the Construction Manager, at 1111 E. Artesia Blvd., Compton, CA 90221

SHOULD INCONSISTENCIES OR DISCREPANCIES EXIST BETWEEN THIS MANUAL AND THE CONTRACT DOCUMENTS (INCLUDING THE GENERAL CONDITIONS); THE CONTRACT DOCUMENTS (INCLUDING THE GENERAL CONDITIONS) WILL TAKE PRECEDENCE.

COMPTON COMMUNITY COLLEGE DISTRICT

Construction Procedures Manual

II. PROJECT PROCEDURES

A. COMMUNICATIONS

1. In carrying out the terms of the Contract, the Owner and the Architects/Engineer will interact with the Contractors through the Construction Manager.
2. All correspondence, shop drawings, submittals, RFIs etc. are to be processed and submitted through the Construction Manager.
3. All correspondence, shop drawings, submittals, RFIs etc. shall reference the Project by name and Contract number.
4. The Construction Manager is the point of contact for all Project communications.

B. MEETINGS

1. **Pre-Construction Meeting** - (Section 01 31 00)*

After award of the Contract, the Construction Manager will schedule a "Pre-Construction Meeting" to be held at a time and location designated by the Construction Manager. **An authorized representative of Contractor MUST attend the "Pre-Construction" meeting.** Minutes of the meeting will be prepared and distributed by the Construction Manager

2. **Weekly Project Meeting** - (Section 01 31 00)*

- a. The Construction Manager will conduct a weekly Project meeting in the on site office.
- b. Contractor with crews on site and upcoming work must attend weekly meetings.
- c. Persons required to attend the weekly Project meetings include Contractor's supervisory personnel, subcontractor personnel, (as appropriate), the Construction Manager, A/E, and others as requested by the Construction Manager. The Owner or User personnel may attend at any time.

COMPTON COMMUNITY COLLEGE DISTRICT

Construction Procedures Manual

- d. The Contractor(s) shall bring any documentation as may be required in order to accomplish a joint review and status of the Project activities.
- e. Contractor(s) shall prepare a two week "look ahead" schedule for review at each meeting. The schedule shall be prepared in accordance with the scheduling section of this manual and will be reviewed with the contract schedule at each weekly meeting.

3. Special Project Meetings

The Construction Manager may call a Special Project Meeting at any time during the course of the Project. Special Project Meetings, if deemed necessary, shall include representatives of the Contractor(s) and subcontractors as requested in order to provide an adequate line of communication to discuss problems and/or solutions that are common to the Project.

C. SITE RULES

1. The Compton Community College District Campus is Non-Smoking and Drug Free.
2. The Compton Community College District Campus is alcohol free.
3. All personnel are required to wear appropriate protective clothing, work shoes, and safety equipment at all times.
4. All personnel shall restrict their behavior, their language and their demeanor so as to avoid harassment to students and faculty.
5. Violations of Site Rules may result in permanent banning from the Project.

D. PROJECT DOCUMENTS All Construction Manager Document Control will be administered utilizing Prolog 9.5 (or later) software.

1. SUBMITTALS - (Specification Section 01 33 00) *

- a. Contractor shall submit all shop drawings, samples and product data through the Construction Manager within the time requirements set forth in the General Conditions.

* References are to Specification Sections; refer to section for more detailed requirements.

COMPTON COMMUNITY COLLEGE DISTRICT Construction Procedures Manual

- b. Every Submittal shall be made to the Construction Manager at the Project site, using the enclosed submittal form. A separate form must be filled out for each submittal. At a minimum, every submittal shall contain the following information and any other information required by the General Conditions:
1. Project Name
 2. Contractors Name & Address
 3. DSA Application Number _____ and File Number _____ for each school.
 4. Submittal Number according to the Submittal Registry.
 5. Submittal Date
 6. Specification and/or Drawing Reference.
 7. Contractor Name and Address
 8. Index of Items Submitted
 9. Number of Copies.

Each submittal must be complete in all forms to allow review without further contact with the Contractor.

- c. **CONTRACTOR WILL STAMP AND SIGN SUBMITTALS, SHOP DRAWINGS, ETC. THAT HE HAS REVIEWED THE ITEMS SUBMITTED, AND CERTIFIES THE ITEMS ARE IN ACCORDANCE WITH THE CONTRACT DOCUMENTS, AND THAT EACH HAS BEEN CHECKED FOR DIMENSIONS AND RELATIONSHIPS WITH WORK OF ALL OTHER CONTRACTORS AND TRADES INVOLVED.**
- d. Upon receipt, the Construction Manager will log each submittal. The Construction Manager may reject any submittal if it is, in his or her judgment, incomplete or inadequate. In such case, one copy of the rejected submittal will be retained by the Construction Manager with remaining

COMPTON COMMUNITY COLLEGE DISTRICT Construction Procedures Manual

copies returned to the Contractor with the reason for rejection cited.

- e. All Submittals shall be numbered by the Contractor as follows:

Start with the Submittal number, followed by the complete specification section number of the item submitted. For example, assuming Reinforcing Steel is required by Specification Section 00 33 00.3.2 and it is the first submittal, the Submittal number for this example is: 0001-003300.2.3. In the event there is a revision required to a submittal, the re-submittal uses the same number as the original, appended with "Rev. 1". The Submittal example then would read: 0001-003300.2.3 - Rev. 1.

- f. Upon completion of the preliminary review, the Construction Manager will transmit acceptable submittals to the A/E for review and comment.

E. A/E REVIEW COMMENTS

- 1. The A/E will review all submittals and, where appropriate, make written commentary. The A/E's comments will be similar to the following:
 - a. "NO EXCEPTIONS TAKEN" - the Contractor may proceed with work covered by the submittal.
 - b. "MAKE CORRECTIONS NOTED" - The Contractor may proceed with the work, provided the Contractor proceeds in accordance with the notes and comments on the submittal.
 - c. "REVISE and RESUBMIT" - the Contractor shall NOT begin any work covered by the submittal until a revision or correction to the submittal has been re-submitted, reviewed and returned to the Contractor.
 - d. "REJECTED" - the Contractor shall not begin any work covered by the submittal until a new submittal has been prepared, submitted and reviewed.

F. SUBMITTAL & SHOP DRAWING QUANTITIES

COMPTON COMMUNITY COLLEGE DISTRICT Construction Procedures Manual

1. Submittals, Shop Drawings and Product Data shall be submitted in the following minimum quantities:
 - a. SAMPLES: Three or more samples.
 - b. SHOP DRAWINGS: One (1) reproducible and seven (7) copies.
 - c. PRODUCT DATA: Seven (7) copies.

G. DISTRIBUTION OF REVIEWED SUBMITTALS

1. SHOP DRAWINGS - Seven Sets
One (1) reproducible and One (1) copy to Contractor
One (1) copy retained by Architect
One (1) copy retained by the Consultant/Engineer
One (1) copy retained by the DSA Inspector
Two (2) copies to the Construction Manager
One (1) copy to the District
2. PRODUCT DATA - Seven Sets
Three (3) sets to Contractor
One (1) copy retained by Architect
One (1) copy retained by the Consultant/Engineer
One (1) copy retained by the DSA Inspector
One (1) copy to the Construction Manager

If Contractor requires additional reviewed copies of shop drawings or product data, he shall print copies from the reproducible at Contractor's expense.

Fabrication or other work performed in advance of receipt of reviewed drawings, samples or test certifications will be entirely at the Contractor's risk.

H. REQUEST FOR INFORMATION (RFI)

Should the Contractor(s) require clarification or additional information of the plans or specifications, he will direct the request to the Construction Manager on the RFI form as provided by the Construction Manager. Sample forms are in the appendix.

Each RFI will be numbered sequentially. Contractor shall be responsible for maintaining his own "log". The Construction Manager will maintain the

COMPTON COMMUNITY COLLEGE DISTRICT Construction Procedures Manual

Construction Manager's RFI log, and each week, the Construction Manager RFI Log will be distributed & discussed at the weekly meeting.

The RFI shall describe thoroughly, the problem or clarification being requested and a suggested solution. The description provided should be adequate and complete to permit a written response without additional communication with the Contractor. The Contractor shall attach related sketches, information or correspondence which may have been received from subcontractors or vendors on the subject. Each attachment to the RFI shall have the RFI # marked plainly on the attachment pages are to be numbered "Page ___ of ___." In instances where the Contractor believes there may be a conflict between elements of the plans and specifications, he should identify the conflict and indicate the manner in which he interpreted the sections in preparing his bid.

No RFI will be accepted without proper reference to Plan Drawings, Shop Drawings and / or Specification Sections, and all areas completely filled out.

The contractor shall list potential solutions to expedite resolution by the Architect and Owner and the contractor shall insure that all line items in the RFI Form are completely filled out before submitting to the Construction Manager.

The Construction Manager will review the RFI and will either:

1. Return the RFI to the Contractor for additional information or response.
2. Forward the RFI to the Architect of Record for response, copying the Project Inspector in accordance with the below timelines.
3. Provide the response within twenty-four (24) hours and return to the Contractor, with copies to the Architect of Record and Project Inspector. RFI's answered by the CM are logged as official RFI's and subject to all of the below conditions.

The timeline scenario for a routine RFI shall be as follows:

1. CM will verify all RFI's for format and content prior to any disposition and may return to sender for edit, clarification and completeness.
2. When a Contractor submits an RFI to the CM it must be reviewed within twenty-four (24) hours. If the RFI is deemed legitimate by

COMPTON COMMUNITY COLLEGE DISTRICT Construction Procedures Manual

the CM and In the event that the CM is not able to adequately answer the RFI in the twenty-four (24) hour period it must be immediately transmitted to the Architect of Record.

3. Once the Architect receives the RFI from the CM, he must respond or pass the RFI on to the proper consultant within three (3) days. (In a Modernization project, the Architect must answer or pass the RFI on to a Consultant with in twenty-four (24) hours.)
4. Consultants are given a maximum of seven (7) days to respond or show cause for delay. (For a Modernization Project this period is shortened to three (3) days.)
5. The appropriate recipient of the RFI will endeavor to provide the response as soon as possible within the above time constraints.
6. When the Construction Manager receives a response back from the Architect, the answer should be reviewed and transmitted to the Contractor as soon as possible and within twenty-four (24) hours. A sixty (60) minute turnaround is preferred.
7. All RFI's properly executed, answered and reviewed must be posted on plans within twenty-four (24) hours of receipt by the CM.
8. In the event an RFI goes unanswered for a period of thirty (30) days or longer it shall be subject to weekly habeas corpus hearings, in which the CM, Architect, Project Inspector, and appropriate Consultant shall attend.

RFI's requiring critical response timing shall be duly annotated as to the urgency of the response date.

If the RFI review indicates a change or revision is necessary to the Contract Documents, the A/E will prepare appropriate drawings and/or specifications required to define the change or revision.

If the Contractor believes the clarification or direction provided by the response to the RFI will impact the cost or schedule of the Project, he shall provide prompt notification thereof to the Construction Manager in accordance with the General Conditions. Upon notification thereof to the Construction Manager, the Contractor shall prepare an Allowance Usage Request or Proposed Change Order, if approved by the District thru the Construction Manager, which shall be processed as outlined in the Change Order Procedure of this manual. In the event the Contractor fails

COMPTON COMMUNITY COLLEGE DISTRICT

Construction Procedures Manual

to notify the Construction Manager, no consideration will be given to the Contractor for additional costs as outlined in the Change Order Procedure.

See also Project Coordination Section (01 31 00, 1.06 Requests for Information) regarding frivolous Requests for Information.

I. SCHEDULES

The Contractor shall furnish to the Construction Manager any required schedules that addresses the work in his Contract(s) in accordance with the General Conditions. The schedules shall be in a format as approved by the Construction Manager, and as a minimum, shall include, without limitation, the following (see also General Conditions):

1. Detail of activities required for their mobilization and start of construction.
2. Activities of other Contractors which must be completed prior to starting various components of other work.
3. A plan for completion of work in sufficient detail to allow observation and monitoring by the Construction Manager. Any activity longer than five (5) working days shall be broken down into phases of five (5) working days or less in length.
4. List activities which must be complete for succeeding contractors to start their work.
5. Show submittals and shop drawing preparation and review time.
6. Long lead procurement requirements.
7. Include all necessary and required DSA Inspections in Schedule.

The Contractor shall prepare schedules in a Critical Path Method (CPM) format as required by the General Conditions. Contractor will review the logic and duration of activities affecting his work. The Construction Manager will conduct a meeting with Contractor(s) to incorporate revisions and issue the approved construction schedule.

The schedule will become the basis for determining completion of the Project and will be reviewed at each weekly meeting.

Contractor will prepare and submit at each weekly meeting a Short Interval Schedule (SIS). The SIS shall be a two (2) week Projection of

COMPTON COMMUNITY COLLEGE DISTRICT Construction Procedures Manual

activities currently in progress or to be started within the following two (2) week period (use form within this manual).

The SIS will be reviewed against the base Contract Schedule each week to evaluate the progress of the work. Contractor shall submit a recovery schedule in the event his work falls behind the approved construction schedule.

J. INSPECTION & TESTING

Contractor shall be responsible for maintaining the necessary licenses required for the completion of the work.

The Owner will pay for State assessed plan check fees and inspection fees, unless otherwise indicated.

Contractor and Subcontractor will be responsible for obtaining and paying for any required City Business licenses.

The on-site DSA Inspector will make normal building and code compliance inspections. Contractor will be responsible for compliance with all requirements of applicable codes per the Contract Documents. Contractor shall inform the Construction Manager at least 2 working days prior to scheduling required inspections. Use Inspection Request Form supplied in the appendix of this manual and also complete and submit the required DSA Form 156.

Inspection, testing, and sampling will be performed as specified in the General Conditions and the specific divisions of the Contract Documents. The Owner, through the Construction Manager, will contract for performance of soil, concrete, steel, grout and mortar testing. Review the Contract Documents for Contractor testing and sampling requirements. In all cases where testing is being performed or samples being taken, the Construction Manager will be given notification pursuant to Contract Document requirements. Contractor shall also timely request special inspections as required by DSA and complete and submit the required DSA verified report forms.

If inspection or testing discloses errors, omissions, inconsistencies, or deficiencies during construction activities, the Contractor will be immediately notified using the "Notice of Non-Conforming Work" form. If corrective action is not apparent, the Construction Manager may request the Contractor to propose a corrective action plan.

COMPTON COMMUNITY COLLEGE DISTRICT Construction Procedures Manual

Where utilities (electric, water, drainage, sewer, gas, etc.) must be disrupted by construction activity, each Contractor shall notify the Construction Manager in writing at least fourteen (14) calendar days prior to the disruption, to be reflected on the 2 Week Look Ahead Schedule.

All **INSPECTION REQUESTS** will be channeled through the Construction Manager to the DSA Inspector (PI). The Construction Manager shall log and monitor time, date and subject of all Inspection Requests utilizing an Inspection Log, and maintaining a binder additionally containing copies of above completed form, as well as copies of Inspection Request Response form executed by the PI. Photographs of area or items to be inspected will be taken and kept as part of the permanent daily record of the project. Inspection log must indicate the title/number of the photos and their permanent file location.

K. VERIFIED REPORTS are required.

Each Contractor shall submit the required DSA Verified Reports to the Construction Manager at the end of construction or as otherwise required by DSA.

Three (3) copies of the report with **Blue ink wet signatures** shall be submitted. Retention may not be paid if Verified Reports are not received. The Construction Manager will transmit the completed Verified Reports to the Inspector for transmittal to DSA and the Architect. Use DSA-6 form supplied in appendix or any updated form from DSA at the completion of the project. The Contractor is also required to submit any other required DSA Verified Reports during construction of the project as required by DSA.

L. SAFETY

Contractor shall have sole and complete responsibility for initiating, maintaining and supervising all safety precautions and programs in connection with this Project. In no case shall the Owner, the Construction Manager, the Architect, the Inspector or their agents, employees or representatives, have either direct or indirect responsibility for the means, methods, techniques, sequences or procedures utilized by the Contractor, or for safety precautions and programs in connection with the work.

Contractor will provide the Construction Manager a copy of his updated safety program prior to commencing the work.

Contractor must submit a Safety Plan to the District via the Construction Manager within thirty five (35) calendar days of the issuance of the Notice

COMPTON COMMUNITY COLLEGE DISTRICT Construction Procedures Manual

to Proceed per the General Conditions (Specification 00 72 00). Contractor will conform to all OCIP Regulations **where applicable**.

M. CHANGE ORDER AND ALLOWANCE USAGE PROCEDURE (Specification Section 00 72 00 Article 9)

The Owner, through the Construction Manager, may from time to time direct the Contractor to make changes in the work within the general scope of the Contract. All changes to the Contract will be implemented through written orders or directives prepared by the A/E and issued by the Construction Manager.

When the Construction Manager believes a change order to the construction documents is required that may involve a change in time or cost, he will request the A/E prepare a Bulletin and issue it to the Construction Manager. The A/E will sequentially number and date each Bulletin. The Construction Manager will attach an Allowance Usage Request (AUR) or Potential Change Order (PCO) form to the Bulletin requesting the Contractor to submit a proposal. The Proposal will fully describe the proposed change(s) to the Contract Documents, including sketches, new drawings, or revised specifications as required. The Construction Manager will maintain a log of all AUR/PCOs issued. The Construction Manager shall number each AUR/PCO. Sample AUR/PCO forms and work sheet are in the appendix.

Should the Contractor believe that conditions have changed or he has been directed to do additional work requiring a change in time or cost, he may request the Construction Manager to prepare a AUR/PCO delineating the changed condition along with the cost and/or time impact. If the Contractor intends to make claim for a change in the contract time or cost, he must give the Construction Manager written notice per contract documents after the occurrence of the event giving rise to the claim, or lose his rights to the cost recovery of the extra work arising from the claim.

Upon return of the AUR/PCO the Construction Manager will evaluate the Contractor's quotation for the work, using an estimate of time and cost impact prepared by the A/E or the Construction Manager. If the quotation is acceptable to the Construction Manager, the proposal will be forwarded to the Owner and the A/E. If the quotation is judged by the Construction Manager to be not acceptable, he will begin negotiations with the Contractor to come to an agreement as to the time and cost impact.

The Construction Manager reserves the sole right to notify the Contractor when there will be no further negotiations, and when an impasse exists

COMPTON COMMUNITY COLLEGE DISTRICT Construction Procedures Manual

between the Contractor and the Construction Manager and the work is declared to be in dispute.

The Owner and the Architect may issue through the Construction Manager an AUR/PCO which directs the Contractor to proceed with a change which will be included on a subsequent Change Order. The routing procedure will be the same as a change order. If the AUR/PCO directs work to proceed prior to agreement on a lump sum quotation, the Contractor shall prepare an Extra Work Report **each day** for signature by the Construction Manager and/or the Inspector. **Extra Work tickets not signed daily will not be paid for.**

The DSA and Architect must approve all Change Orders. The Construction Manager will review each Allowance Usage Request or Proposed Change Order with the A/E to determine the appropriate DSA approval process and whether the Change Order is a Category A (DSA Form 140) or Category B (DSA Form 141) Construction Change Document. The Contractor must comply with all DSA requirements for Change Orders and Construction Change Documents.

N. APPLICATION FOR PAYMENT

Application for Payment shall be made by the Contractor on a **monthly** basis for work completed on or before the **25th of each month.**

All Applications for Payment shall contain the approved detailed Schedule of Values submitted by the Contractor at the time of award. Applications shall be submitted on forms provided in the appendix. **No other form will be accepted.**

No later than the 25th of each month, Contractor shall submit a "Preliminary Pay Request" (pencil copy) to the Construction Manager for review. Only the Schedule of Values need be submitted. The "Preliminary Pay Request" shall include a detailed Schedule of Values showing percentages of work complete or scheduled to be complete through the end of the month. The Construction Manager, the A/E and Inspector will review and evaluate the "Preliminary Pay Request". Upon agreement of the amounts due the Contractor, the Contractor will prepare the Application for Payment, and submit seven (7) original copies (wet signature) of the Application to the Construction Manager, last working day of the month, for signatures by the Architect and the Inspector. After signatures are obtained, the Construction Manager will submit the Applications to the District for payment. The District will process the Application.

COMPTON COMMUNITY COLLEGE DISTRICT Construction Procedures Manual

Payment for materials delivered to the Project site but not yet incorporated in the work may be made, at the discretion of the Owner. Such materials must be stored at the Project site, properly stacked, crated, boxed, and, if necessary, covered and protected from weather. Documentation of cost shall be provided with the payment request for materials. No payment will be considered without the required documentation. See additional requirements in the General Conditions.

Change Orders, if applicable, shall not be billed until approval of school board is received.

EVERY pay application must be accompanied by a CONDITIONAL Lien Release for the current application, and an UNCONDITIONAL Lien Release for the prior application. All Applications and Releases are to be NOTARIZED, and signatures are to be in BLUE ink.

O. PAY ESTIMATE CHECK OFF PROCEDURE (INTERNAL)

1. Verify all Schedule of Values shown on second page agrees with Schedule of Values submitted by Contractor at start of Project.
2. Check all upper details, both pages, are correctly filled in, i.e. Contractor Name and Address, complete Project Name, Architect Name, pay period dates, and that contract date is shown. (Date of Contract Agreement.)
3. Verify all previous information is correctly transferred from last prior estimate. Verify all math calculations are correct on page two and the correct numbers are transferred to page one. Verify all math on estimate page #1.
4. Verify all approved Change Orders have been included in the estimate.
5. Verify Contractor signatures and notary signatures and stamp are on page #1.
6. Verify there is a Conditional Lien Release for the current payment request. If there has been a previous pay request, then verify there is also an Unconditional Lien Release for the previous estimate. These releases must be filled out and signed by the Contractor. The District will not pay if the releases are not in order.

COMPTON COMMUNITY COLLEGE DISTRICT Construction Procedures Manual

7. Verify Preliminary Notice information against amounts billed and Request Lien Releases as necessary.
8. As-built drawings are updated and approved by PI.
9. Signed Verification of Certified Payroll Records Submittal to Labor Commissioner Form received.
10. OCIP clearance is obtained – no outstanding issues.
11. Once all of the above is correct, then transfer the complete original to the Construction Manager for signatures by the Architect and the PI. The Architect should be available for signatures, within a reasonable time.
12. After all signatures are obtained, CM signs as approved for payment, then copy for PCM3 file, attach a Letter of Transmittal and have Construction Manager take to district with spread sheet showing all estimates to date for signature by District and distribution to Accounting Department.

P. POSTING OF PROJECT DOCUMENTS (PLANS AND SPECIFICATIONS)

1. All Construction Managers will maintain an up-to-the-day posted set of plans and Specifications for each project at all times. This is essential to the continuity of the project during construction and for archiving purposes. This "Posted Set" shall not leave the Construction Trailer for any reason, and must be kept in a secure location and scrupulously maintained and preserved at all times.
2. Posting must be done within (24) twenty-four hours of the receipt of a completed, signed, change to the Contract Documents.
3. Items that must be posted:
 - a. All addendums to the bid set
 - b. All Requests for Information (RFI)
 - c. All Instructional Bulletins (IB)
4. For consistency the following color scheme for posting shall be followed throughout the District:

COMPTON COMMUNITY COLLEGE DISTRICT Construction Procedures Manual

- a. All pre-bid addendums to the bid set shall be posted on YELLOW paper.
 - b. All RFI's will be posted using 50% reduction and PINK paper.
 - c. All Instructional Bulletins will be posted using 50% reduction and GREEN paper.
5. All postings should be sufficiently clear and concise enough to indicate a definitive change to the bid documents. Postings that implement changes on more than one plan sheet or specification page must be posted in the multiple locations or a reference to that posting must be made, sufficient to guide a user to a substantial and correct conclusion.

Note: Use of 50% reduction is a vehicle for saving space. All postings should be located on the plan sheet or in the Specification Section referred to in the posted document. If frequency of posting is such that more room is needed it is permissible to insert blank sheets into the plans or blank pages into the Specifications. Posting on the reverse of the preceding plan sheet is not advised due to the possibility of replacement sheets.

Q. ITEM OF CHANGE (IOC) LOG TO BE KEPT AND MAINTAINED BY CONSTRUCTION MANAGER.

1. All changes to the Contract Documents are to be logged under separate cover in an Items of Change (IOC) Log and maintained on a continual updated basis.
2. Items in the IOC Log must correspond to items included in the Schedule of Values and be valuated based on given costs or good faith estimates.
3. The IOC Log matrix should include, but be not limited to: Item Number; Date; Description; Budget Revision; checklist for necessary Approvals; and indication of Inclusion in a Change Order.

END OF SECTION

**COMPTON COMMUNITY COLLEGE DISTRICT
Construction Procedures Manual**

THIS PAGE INTENTIONALLY LEFT BLANK

**COMPTON COMMUNITY COLLEGE DISTRICT
Construction Procedures Manual**

SUBMITTAL FORM

CM # _____ (For CM Use Only)

CCCD Bond Trailer
PCM3, Inc.
1111 E. Artesia Blvd.
Compton, CA 90221

PROJECT: Drinking Fountain Upgrade

SUBMITTAL

SUBMITTAL # _____

DATE: ____/____/____ **TITLE/Description:** _____

SPECIFICATION SECTION or DRWG. # : _____ **NO. COPIES SUBMITTED:** _____

NO. COPIES RETURNED: _____

TO: _____

DSA FILE NO: _____ **CONTRACTOR:** _____

ADDRESS: _____

DSA APP. NO: _____ **PHONE:** _____

ATTN.: _____

CONTRACTOR CERTIFIES: We have reviewed the attached submittal verifying products in this submittal, dimensions, adjacent work, and coordination of information is in accordance with the requirements of the work and contract documents, and approve this submittal (Reference Section 01330).

BY: _____
Contractor's Representative

DATE: ____/____/____

FOR USE BY ENGINEER:

ENGINEER'S STAMP:

- ____ NO EXCEPTIONS TAKEN
- ____ MAKE CORRECTIONS NOTED
- ____ REVISE & RESUBMIT
- ____ **REJECTED**

REMARKS: _____

COMPTON COMMUNITY COLLEGE DISTRICT
Construction Procedures Manual
SUBSTITUTION REQUEST FORM (AFTER BID)
Construction Manager # _____ (For CM Use Only)

DATE: _____ BID PACKAGE: _____

TO: _____

PROJECT: Campus Wide Drinking Fountain Replacement
 SPECIFIED ITEM:

Section	Page	Paragraph	Description
The undersigned requests consideration of the following:			
PROPOSED SUBSTITUTION: _____			

Attached data includes product description, specifications, drawings, photographs, performance and test data adequate for evaluation of the request. Applicable portions of the data are clearly identified.

Attached data also includes a description of changes to the Contract Documents which the proposed substitution will require for its proper installation.

The undersigned certifies that the following paragraphs and any additional requirements in the General Conditions Article 3.10, unless modified by attachments, are correct:

1. The proposed substitution does not affect dimensions shown on drawings:
2. The undersigned will pay for changes to the building design, including engineering design, detailing, and construction costs caused by the requested substitution.
3. The proposed substitution will have no adverse affect on other trades, the construction schedule, or specified warranty requirements.
4. Maintenance and service parts will be locally available for the proposed substitution.
5. The proposed substitution is submitted within seven (7) calendar days after issuance of the Notice of Intent to Award.

The undersigned further states that the function, appearance, and quality of the proposed substitution are equivalent or superior to the specified item.

Submitted by: _____

Signature _____

Firm _____

Address _____

Remarks _____

Date _____

Telephone _____

Fax: _____

(For Use By The Design Consultant)

___ Accepted ___ Accepted as noted

___ Not Accepted ___ Received too late

Reviewed By _____

Date: _____

COMPTON COMMUNITY COLLEGE DISTRICT

INSPECTION REQUEST

DATE:	CONTRACTOR:
-------	-------------

SUB-CONTRACTOR/ TRADE: (if any)

DESCRIPTION OF REQUIRED INSPECTION:

INSPECTION LOCATION:	DATE REQUIRED:
	TIME REQUIRED:
PHONE:	

REQUESTED BY:	DATE:
TITLE:	SPECIAL INSTRUCTIONS:
SIGNATURE:	BATCH PLANT INSP. REQ'D: YES NO

INSPECTORS COMMENTS:	
DATE:	SIGNATURE:

SUBMIT TO (CM), 2 WORKING DAYS PRIOR TO DATE & TIME REQUIRED.

DATE & TIME RECEIVED BY CM:
CM. PROJECT MANAGER:

cc: CM File

COMPTON COMMUNITY COLLEGE DISTRICT

REQUEST FOR QUOTATION FORM

Project: Drinking Fountain Upgrade

RFQ NO.: _____

DATE ____ / ____ / ____

BID PACKAGE NO.: _____

TO:

Please submit price quotation for the following work:

(Support Quotation with detailed cost breakdown and back-up materials.)

Reference Document, if any: _____

Price Quotation needed by: _____

Request submitted by: _____ DATE: ____ / ____ / ____

Construction Manager.

Parties agree and acknowledge the information in this Request for Quotation is for review purposes only. This Request for Quotation is not a request for, nor an authorization of additional work or an extension of the Contract period.

COMPTON COMMUNITY COLLEGE DISTRICT

ALLOWANCE USAGE REQUEST

CM # _____

PROJECT: Drinking Fountain Upgrade

ALLOWANCE USAGE REQUEST — AUR# _____

TO: _____

DATE ISSUED: _____

FROM: _____

PRICING DUE BY: _____

PROJECT No.: _____

PROJECT NAME: _____

Please submit an itemized quotation for change in the contract sum and time incidental to the proposed modifications to the Contract Documents as described herein. Cost breakdown format shall be as specified including all back up documentation.

Change Item: _____

**THIS IS NOT A CHANGE ORDER NOR A DIRECTION TO PROCEED WITH THE WORK DESCRIBED HEREIN.
REFERENCE RFQ# _____ DESCRIPTION OF AUR:**

REQUESTED BY: A. Architect B. DSA Inspector C. Contractor D. Owner

COST IMPACT: A. NONE B. DEDUCT: \$ _____ C. ADD: \$ _____

TIME IMPACT: A. NONE B. DEDUCT _____ DAYS C. ADD: _____ DAYS
Submit justification for time impact per Article 9.5 in the General Conditions 00 72 00

APPROVAL OF THE AUR BY ALL PARTIES LISTED BELOW SERVES AS A NOTICE TO PROCEED.

cc: Contractor: BY: _____

District: BY: _____

Architect/Engineer BY: _____

Project Inspector BY: _____

Construction Manager BY: _____

COMPTON COMMUNITY COLLEGE DISTRICT

POTENTIAL CHANGE ORDER
CM # _____

PROJECT: Drinking Fountain Upgrade

POTENTIAL CHANGE ORDER — PCO# _____

TO: _____ DATE ISSUED: _____

FROM: _____ PRICING DUE BY: _____

PROJECT No.: _____ PROJECT NAME: _____

Please submit an itemized quotation for change in the contract sum and time incidental to the proposed modifications to the Contract Documents as described herein. Cost breakdown format shall be as specified including all back up documentation.

Change Item: _____

THIS IS NOT A CHANGE ORDER NOR A DIRECTION TO PROCEED WITH THE WORK DESCRIBED HEREIN.
REFERENCE RFQ# _____ DESCRIPTION OF PCO:

REQUESTED BY: A. Architect B. DSA Inspector C. Contractor D. Owner

COST IMPACT: A. NONE B. DEDUCT: \$ _____ C. ADD: \$ _____

TIME IMPACT: A. NONE B. DEDUCT _____ DAYS C. ADD: _____ DAYS
Submit justification for time impact per Article 9.5 in the General Conditions 00 72 00

APPROVAL OF THE PCO BY ALL PARTIES LISTED BELOW SERVES AS A NOTICE TO PROCEED.

cc: Contractor: BY: _____

District: BY: _____

Architect/Engineer BY: _____

Project Inspector BY: _____

Construction Manager BY: _____

COMPTON COMMUNITY COLLEGE DISTRICT

**Allowance Usage Request/Proposed Change Order
CHANGES AND EXTRAS FORM**

The following format shall be used, as applicable by the District and the Contractor to communicate proposed additions and deductions to the Contract. A copy of the Allowance Usage Request and Proposed Change Order form is provided at the end of this Article.

	<u>EXTRA</u>	<u>CREDIT</u>
(a) Material (attach itemized quantity and unit cost plus sales tax)	_____	_____
(b) Labor (attach itemized hours and rates)	_____	_____
(c) Equipment (attach invoices)	_____	_____
(d) Subtotal	_____	_____
(e) For Proposed Change Order and Allowance Usage Request: If Subcontractor performed Work, add Subcontractor's overhead and profit to portions performed by Sub-contractor, not to exceed fifteen percent (15%) of item (d).	_____	_____
(f) Subtotal	_____	_____

COMPTON COMMUNITY COLLEGE DISTRICT

	<u>EXTRA</u>	<u>CREDIT</u>
(g) For Proposed Change Order: General Contractor's Overhead and Profit: Not to exceed fifteen percent (15%) of Item (d) if Contractor performed the work. No more than five percent (5%) of Item (f) if Subcontractor performed the work. If work was performed by Contractor and Subcontractors, portions performed by Contractor shall not exceed fifteen percent (15%) if Item (d), and portions performed by Subcontractor shall not exceed five percent (5%) of Item (f)		
For Allowance Usage Request: Zero (-0-) percent markup per General Conditions Specification Section 00 73 00 paragraph H	_____	_____
(h) Subtotal	_____	_____
(i) For Proposed Change Order: Bond not to exceed one percent (1%) of Item (d)		
For Allowance Usage Request: Zero (-0-) percent bond per General Conditions Specification Section 00 73 00 paragraph H.	_____	_____
(j) TOTAL	_____	_____
(k) Date / Time	_____	_____

The undersigned Contractor approves the foregoing Allowance Usage Request or Proposed Change Order as to the changes, if any, and the contract price specified for each item and as to the extension of time allowed, if any, for completion of the entire work on account of said Allowance Usage Request or Proposed Change Order, and agrees to furnish all labor, materials and service and perform all work necessary to complete any additional work specified therein, for the consideration stated herein. It is understood that said Allowance Usage Request or Proposed Change Order shall be effective when approved by the Governing Board of the District.

COMPTON COMMUNITY COLLEGE DISTRICT

It is expressly understood that the value of such extra Work or changes, as determined by any of the aforementioned methods, expressly includes any and all of the Contractor's costs and expenses, both direct and indirect, resulting from additional time required on the Project or resulting from delay to the Project. Any costs, expenses, damages or time extensions not included are deemed waived.

The Contractor expressly acknowledges and agrees that any change in the Work performed shall not be deemed to constitute a delay or other basis for claiming additional compensation based on theories including, but not limited to, acceleration, suspension or disruption to the Project.

INSTRUCTION SHEET

A. GENERAL INFORMATION:

The Payment Application and the Schedule of Values Sheet are designed to be used on a project where a Contractor has a direct Agreement with the Owner. **No Pay Applications will be accepted without updated approved "As-Builts".**

B. COMPLETING THE PAYMENT APPLICATION:

After the Contractor has completed the Schedule of Values Sheet, summary information should be transferred to the Payment Application.

The Contractor should sign the form have it notarized and submit it, together with the Schedule of Values, to the Architect. Seven signed, notarized originals should be submitted.

The Architect should review it and, if it is acceptable, complete the Architect's Certificate for Payment on this form. The completed form should be forwarded to the Owner.

C. COMPLETING THE SCHEDULE OF VALUES SHEET:

Heading: Complete the information here consistent with similar information on the Payment Application.

Columns A, B & C: These columns should be completed by identifying the various portions of the project and their scheduled value consistent with the schedule of values submitted to the Architect at the commencement of the Project or as subsequently adjusted. The breakdown may be by sections of the Work or by Subcontractors and should remain consistent throughout the Project. Multiple pages should be used when required.

Column C: This column should be subtotaled at the bottom when more than one page is used and totaled on the last page. Initially, this total should equal the original Contract Sum. The total of Column C may be adjusted by Change Orders during the Project.

Column D: Enter in this column the amount of completed Work covered by the previous application. This is the sum of columns D and E from the previous application. Values from column F (Materials Presently Stored) from prior payments should not be entered in this column.

Column E: Enter here the value of Work completed until the time of this Application, including the value of materials incorporated in the project, which were listed on the previous Application and Certificate for Payment under Materials Presently Stored (column F).

Column F: Enter here the value of Materials Presently Stored for which payment is sought. The total of the column **must** be recalculated at the end of each pay period. This value covers both materials newly stored for which payment is sought and materials previously stored which are not yet incorporated into the Project. Mere payments by the Owner for stored materials does not result in a deduction from this column. Only as materials are incorporated into the Project is their value deducted from this column and incorporated into column E (Work Completed—This Period).

Column G: Enter here the total of columns D, E and F. Calculate the percentage completed by dividing column G by column C.

Column H: Enter here the difference between column C (Scheduled Value) and column G (Total Completed and Stored to Date).

Column I: This column is normally used only for contracts where variable retainage is permitted on a line-item basis. It need not be completed on projects where a constant retainage is withheld from the overall contract amount.

Change Orders: Although Change Orders could be incorporated by changing the schedule of values each time a Change Order is added to the Project, this is not normally done. Usually, Change Orders are listed separately, either on their own form or at the end of the basic schedule. The amount of the original contract adjusted by Change Orders is to be entered in the appropriate location of the Payment Application.

D. MAKING PAYMENT

The Owner should make payment directly to the Contractor based on the amount certified by the Architect on the Payment Application. The completed form contains the name and address of the Contractor. Payment should not be made to any other party unless specifically indicated on this form.

COMPTON COMMUNITY COLLEGE DISTRICT

**CONDITIONAL WAIVER AND RELEASE UPON PROGRESS PAYMENT
[Civil Code §8132]**

Upon receipt by the undersigned of a check from _____
(Maker of Check)
in the sum of \$ _____ Payable to _____
(Amount of Check) (Payee or Payees of Check)
and when the check has been properly endorsed and has been paid by the bank upon which it is drawn, this document shall become effective to release any mechanic's lien, stop notice or bond right the undersigned has on the job of Compton Community College District located at _____ to the following extent.

This release covers a progress payment for labor, services, equipment or materials furnished to _____ through _____
(Your Customer) (Date)

only and does not cover any retention retained before or after the release date; extras furnished before the release date for which payment has not been received; extras or items furnished after the release date. Rights based upon work performed or items furnished under a written change order which has been fully executed by the parties prior to the release date are covered by this release unless specifically reserved by the claimant in this release. This release of any mechanic's lien, stop notice, or bond right shall not otherwise affect the contract rights, including rights between parties to the contract based upon a rescission, abandonment, or breach of the contract, or the right to the undersigned to recover compensation for furnished labor, services, equipment, or material covered by this release if that furnished labor, services, equipment, or material was not compensated by the progress payment.

Before any recipient of this document relies on it, said party should verify evidence of payment to the undersigned.

Dated: _____ Company Name: _____
By: _____
(Title)

NOTE: This form complies with the requirements of Civil Code Section 8132. It is to be used by a party who applies for a progress payment when the progress check has not yet cleared the bank. This release only becomes effective when the check, properly endorsed, has cleared the bank.

USE REVERSE SIDE AS RELEASE FOR INDIVIDUALS PERFORMING LABOR FOR WAGES

COMPTON COMMUNITY COLLEGE DISTRICT

§ 484(b) OF THE CALIFORNIA PENAL CODE PROVIDES IN PART AS FOLLOWS:

"Any person who receives money for the purpose of obtaining paying for services, labor, materials or equipment and willfully fails to apply such money for such purpose by wither willfully failing to complete the improvements for which funds were provided or willfully failing to pay for services, labor, materials or equipment provided incident to such construction, and wrongfully diverts the funds to a use other that for which the funds were received, shall be guilty of a public offense and punishable by a fine not exceeding ten thousand dollars (\$10,000), or by imprisonment in the state prison, or in the county jail not exceeding one year, or by both such fine and such imprisonment. If the amount diverted is in excess of one thousand dollars (\$1,000). If the amount diverted is less than one thousand dollars (\$1,000), the person shall be guilty of a misdemeanor."

§484(c) OF THE CALIFORNIA PENAL CODE PROVIDES AS FOLLOWS:

"Any person who submits a false voucher to obtain construction loan funds and does not use the funds for the purpose for which the claim was submitted is guilty of embezzlement."

§206.5 OF THE CALIFORNIA LABOR CODE PROVIDES:

"No employer shall require the execution of any release of any claim or right on account of wages due, or become due, or made as an advance on wages top be earned, unless payment of such wages has been made. Any release required or executed in violation of the provisions of this section shall be null and void as between the employer and the employee and the violation of the provisions of this section shall be a misdemeanor."

§532(e) OF THE CALIFORNIA PENAL CODE PROVIDES AS FOLLOWS:

"Any person who receives money for the purpose of obtaining or paying for services, labor, materials or equipment incident to constructing improvements on real property and willfully rebates any part of the money to or on behalf of anyone contracting with such person for provision of the services, labor, materials or equipment for which the money was given, shall be guilty of a misdemeanor, provided, however, that normal trade discount for prompt payment shall not be considered a violation of this section."

COMPTON COMMUNITY COLLEGE DISTRICT

UNCONDITIONAL WAIVER AND RELEASE UPON PROGRESS PAYMENT

Civil Code Section 8134

The undersigned has been paid in and has received a progress payment in the sum of

\$ _____ for _____
(Amount of Check Written & Numeric)

labor, services, equipment, or material furnished to Compton Community College District on the job of CCCD _____ Project and does hereby release pro tanto any mechanics lien, stop notice, or bond right that the undersigned has on the above referenced job to the following extent. This release covers a progress payment for labor, services, equipment, or material furnish to **Compton Community College District** through _____ only and does not cover any retention retained before of (Date/End of Month) after the release date; extras furnished before the release date for which payment has not been received; extras or items furnished after the release date. Rights based upon work performed or items furnished under a written change order which has been fully executed by the parties prior to the release date are covered by this release unless specifically reserved by the claimant in this release. This release of any mechanic's lien, stop notice, or bond right shall not otherwise affect the contract rights including rights between parties to the contract based upon a rescission, abandonment, or breach of the contract, of the right of the undersigned to recover compensation for furnished labor, services equipment, or material covered by this release if that furnished labor, services, equipment, or material was not compensated by the progress payment.

Date: _____

(Company Name)

(Bid Package Number)

By: _____
(Signature)

(Print Name)

(Title)

NOTICE: THIS DOCUMENT WAIVES RIGHTS UNCONDITIONALLY AND STATES THAT YOU HAVE BEEN PAID FOR GIVING UP THOSE RIGHTS. THIS DOCUMENT IS ENFORCEABLE AGAINST YOU IF YOU SIGN IT, EVEN IF YOU HAVE NOT BEEN PAID. IF YOU HAVE NOT BEEN PAID, USE A CONDITIONAL RELEASE FORM.

NOTE: This form of release complies with the requirements of Civil Code Section 8134. It is to be used to release claims to the extent that a progress payment has actually been received by the releasing party.

COMPTON COMMUNITY COLLEGE DISTRICT

CONDITIONAL WAIVER AND RELEASE UPON FINAL PAYMENT (Civil Code Section 8136)

Upon receipt by the undersigned of a check from _____

(Maker of Check)

in the sum of \$ _____

(Amount of Check)

payable to _____

(Payee or Payees of Check)

and when the check has been properly endorsed and has been paid by the bank upon which it is drawn, this document shall become effective to release pro tanto any mechanic's lien, stop notice or bond right the undersigned has on the job of Compton Community College District located at 1111 E. Artesia Blvd., Compton, CA 90221 to the following extent:

This release covers the final payment to the undersigned for all labor, services, equipment, or materials furnished on the _____, except for disputed claims for extra work in the amount of \$ _____.

DATED: _____

(Company Name)

By: _____

(Title)

NOTE: This form complies with the requirements of Civil Code Section 8136. It is to be used by the party who applies for a final payment when the final payment check has not yet cleared the bank. This release only becomes effective when the check, properly endorsed, has cleared the bank.

COMPTON COMMUNITY COLLEGE DISTRICT

2-WEEK-LOOK-AHEAD

1. Insert information, including dates
2. Include Contractor Company Name & Bid Package Number below
3. Include Signature below

Items to Schedule: _____

Date: _____ Signature: _____

Contractor: _____

COMPTON COMMUNITY COLLEGE DISTRICT

TIME AND MATERIAL WORK ITEM TICKET

PROJECT: _____ PCO/AUR# _____
 CONTRACTOR: _____ SHEET# _____ of _____
 Reference Document: _____ Submitted for work on: _____
 Original Work Date for this Item: _____ Is Work Completed today? _____
 Date of Last Work Activity: _____ Date Submitted to CM _____

WORK COMPLETED TODAY:

Location:

LABOR

EMPLOYEE NAME	CLASSIFICATION	Hours Noted	REMARKS
1. _____	_____	_____	_____
2. _____	_____	_____	_____
3. _____	_____	_____	_____
4. _____	_____	_____	_____
5. _____	_____	_____	_____

MATERIAL

ITEM DESCRIPTION	QTY / UNITS	Hours Noted	REMARKS
1. _____	_____	_____	_____
2. _____	_____	_____	_____
3. _____	_____	_____	_____
4. _____	_____	_____	_____
5. _____	_____	_____	_____

EQUIPMENT

EQUIPMENT	MAKE & MODEL	Hours Noted	REMARKS	Rented / Owned
1. _____	_____	_____	_____	_____
2. _____	_____	_____	_____	_____
3. _____	_____	_____	_____	_____
4. _____	_____	_____	_____	_____
5. _____	_____	_____	_____	_____

CONTRACTOR CERTIFICATION: Signature by contractor to certify that all information on this sheet is true and accurate. Contractor also certifies that only the listed labor, material, and equipment listed were used for this item and that no other items are part of this work.

SIGNATURES

CM: Verifies hours worked as identified on this sheet only, not acceptance of any cost or schedule impact on behalf of the Owner.

IOR: Verifies hours worked as identified on this sheet only, not acceptance of any cost or schedule impact on behalf of the Owner.

UNCONDITIONAL WAIVER AND RELEASE UPON FINAL PAYMENT

{Civil Code Section 8138}

The undersigned has been paid in full for all labor, services, equipment or materials furnished to _____
on the job of _____
located at _____
and does hereby release pro tanto any mechanic's lien, stop notice or bond right, except for disputed claims for extra work in the amount of \$_____.

DATED: _____

Company Name

By: _____

Signature

Title _____

NOTICE: THIS DOCUMENT WAIVES RIGHTS UNCONDITIONALLY AND STATES THAT YOU HAVE BEEN PAID FOR GIVING UP THOSE RIGHTS. THIS DOCUMENT IS ENFORCEABLE AGAINST YOU IF YOU SIGN IT, EVEN IF YOU HAVE NOT BEEN PAID. IF YOU HAVE NOT BEEN PAID, USE A CONDITIONAL RELEASE UPON FINAL PAYMENT FORM.

NOTE: This form of release complies with the requirements of Civil Code Section 8138. It is to be used to release claims to the extent that a final payment has actually been received by the releasing party.



COMPTON COMMUNITY COLLEGE DISTRICT
1111 E. Artesia Blvd
Compton, California 90221

GUARANTEE

Guarantee for _____ . We hereby guarantee that the _____, which we have installed in _____, has been done in accordance with the Contract Documents, including without limitation, the drawings and specifications, and that the work as installed will fulfill the requirements included in the bid documents. The undersigned and its surety agrees to repair or replace any or all such work, together with any other adjacent work, which may be displaced in connection with such replacement, that may prove to be defective in workmanship or material within a period of _____ (__) year(s) from the date of the Notice of Completion of the above-mentioned structure by the Compton Community College District, ordinary wear and tear and unusual abuse or neglect excepted.

In the event the undersigned or its Surety fails to comply with the above-mentioned conditions within a reasonable period of time, as determined by the District, but not later than ten (10) days after being notified in writing by the District or within two (2) business days in the case of an emergency or urgent matter, the undersigned and its surety authorizes the District to proceed to have said defects repaired and made good at the expense of the undersigned and its surety, who will pay the costs and charges therefore upon demand. The undersigned and its surety shall be jointly and severally liable for any costs arising from the District's enforcement of this Guarantee.

GUARANTEE (continued)

Contractor's Company Name

Signature of Contractor

Print Name

Title

Subcontractor's Company Name
(If work performed by subcontractor)

Signature of Subcontractor

Print Name

Title

Representatives to be contacted for service:

Name: _____

Address: _____

Telephone Number: _____

END OF SECTION

CONTRACTOR VERIFIED REPORT

This form shall be completed by each contractor having a contract with the owner, in accordance with California Code of Regulations, Title 24, Part 1, Sections 4-343 or 4-220.

School District/Owner:		DSA File #: -
Project Name/School:		DSA App. #: -
Date of Report:	Number of Attached Pages: <i>(If none, enter zero.)</i>	DSA 152 Card #(s):
Note that DSA approved construction documents, referred to below, are those portions of the construction documents, duly approved by the DSA, that contain information related to and affecting the Structural Safety, Fire/Life Safety and Accessibility portions of the project.		<i>List all inspection card numbers for which this verified report applies.</i>

COMPLETE SECTIONS 1, 2, 3 & 4 AND PROVIDE ALL REQUIRED DOCUMENTATION

1. CONTRACTOR INFORMATION *(Enter name and check applicable box)*

Name of Contractor (Company/Firm) Submitting this Report:	
Operating as general contractor responsible for all work shown in the <i>DSA approved</i> construction documents.	
Operating as contractor responsible for part of the work shown in the <i>DSA approved</i> construction documents. <i>(Describe scope of work in the contract.)</i>	

2. REASON FOR FILING THIS VERIFIED REPORT *(Check applicable box)*

Interim Verified Report: List affected form DSA 152 Inspection Card Section #(s):	
Final Verified Report: Construction of all work shown in the <i>DSA approved</i> construction documents that is part of my contract is complete.	
Termination of Contract prior to completion of all work in the contract <i>(Provide last date of work):</i>	
DSA Request Dated:	

3. DEFERRED SUBMITTALS *(Check applicable box)*

This project does not require deferred submittals within the scope of my contract.	
All deferred submittals within the scope of my contract are approved by DSA.	
The following deferred submittals, within the scope of my contract, are not approved by DSA <i>(Provide list. Attach additional pages if necessary.):</i>	

4. DEVIATIONS AS OF THE DATE OF THIS REPORT *(Check applicable box)*

All deviation notices pertinent to my contract related to work shown in the <i>DSA approved</i> construction documents are resolved.	
There are unresolved deviation notices pertinent to my contract and related to work shown in the <i>DSA approved</i> construction documents. <i>(Attach copies)</i>	
There is work pertinent to my contract that is not completed in compliance with the <i>DSA approved</i> construction documents. <i>(Briefly describe. Attach additional pages if necessary.)</i>	

I attest that based on my own personal knowledge (as defined in California Code of Regulations, Title 24, Part 1, Sections 4-336 and 4-214) that, except as marked in Sections 3 and 4, as of the date of this report, the work has been performed and materials have been used and installed, in every material respect, in compliance with the *DSA approved* construction documents. I declare under penalty of perjury that I prepared this report and that all statements are true.

Signature: _____ Date: _____

Print Name: _____ Contractor's License No.: _____

Submit completed form to the DSA Regional Office with construction oversight authority for the project.

DSA OAKLAND 1515 Clay Street, Suite 1201 Oakland, CA 94612	DSA SACRAMENTO 1102 Q Street, Suite 5200 Sacramento, CA 95811	DSA LOS ANGELES 700 N. Alameda Street, Suite 5-500 Los Angeles, CA 90012	DSA SAN DIEGO 10920 Via Frontera Rd., Suite 300 San Diego, CA 92127
---	--	---	--

**COMPTON COMMUNITY COLLEGE DISTRICT
Construction Procedures Manual**

V. PROJECT / CONTRACT COMPLETION

- A. The contracts of certain other Contractors may be complete prior to the overall completion of the project, as determined by the Construction Manager. The entire project is not finally complete until Contractors have completed their work and all equipment and furnishings have been installed, systems tested, and accepted and all notices of completion recorded. The District may occupy all or any part of the project prior to completion, in accordance with the Contract Documents. See General Conditions Article 9.9 for further details regarding project completion and requirements.

END OF SECTION

COMPTON COMMUNITY COLLEGE DISTRICT

Construction Procedures Manual

VI. CONTRACT CLOSE-OUT

A. Contract close-out involves review of the Contract Documents, drawings, specifications, schedules, and inspection reports to ensure the Contractors have satisfactorily completed the requirements of the Contract Documents (General Conditions Article 9.9). Before release of the retainage, the Contractor must deliver to the Construction Manager the following close-out submittals and documentation: Including, but not limited to, the following (see also General Conditions Article 9.11):

1. Certificates of Inspection as applicable to each bid package
2. Project record documents, including as-built documents (Hard and Electronic per the District Requirements)
3. Operation and Maintenance Manuals - (per Contract Documents)
4. Warranties and Bonds - two wet signed notarized originals that MUST be signed with blue ink
5. Keys and keying schedule
6. Spare parts and materials
7. Statement of completion of all punch list items
8. Affidavit that all payrolls, bills, and indebtedness connected with the work have been paid or satisfied - sworn statement
9. Final waiver of liens
10. Consent of Surety to final payment
11. Final Verified Reports
12. Other data as required by the Construction Manager for assurance of satisfaction of the requirements of the contract documents.
13. In-Service Schedule
14. Commissioning

The A/E will make distribution of the close-out submittals to the Owner with copies to the appropriate project team members.

COMPTON COMMUNITY COLLEGE DISTRICT
Construction Procedures Manual

- B. The A/E will draft the Notice of Completion for Board presentation. The District normally files these with the County within ten (10) days of the Board's action.

- C. Upon completion and submittal of all contract close-out times, the Contractor shall submit written notice to the Construction Manager that the project is ready for final inspection. Concurrent with the request for final inspection, the Contractor shall prepare and submit a final application for payment, the Construction Manager, in conjunction with the A/E, will issue a final certificate for payment to the Owner recommending final payment. The Owner will make final payment, less outstanding Stop Notices.

END OF SECTION

COMPTON COMMUNITY COLLEGE DISTRICT Construction Procedures Manual

V. APPENDIX

A. GENERAL FORMS:

1. Daily Construction Job Report
2. Submittal Form
3. Substitution Request Form
4. Inspection Request
5. Request For Information
6. Request For Quotation Form
7. Potential Change Order
8. Change and Extras Form
9. Instruction Sheet for Pay Applications
10. Application and Certification for Payment
11. Schedule of Values Sheet
12. Conditional Waiver And Release Upon Progress Payment
13. Unconditional Waiver And Release Upon Progress Payment
14. Conditional Waiver And Release Upon Final Payment
15. 2-Week-Look-Ahead
16. Time and Material Work Item Ticket
17. Guarantee Form
18. DSA-6 Form

COMPTON COMMUNITY COLLEGE DISTRICT

PROJECT COORDINATION

PART 1 - GENERAL

1.1 REQUIREMENTS INCLUDED:

- A. Each Prime CONTRACTOR shall coordinate his Work and Work of his subcontractors for the Project.
- B. Each Prime Contractor shall:
 - 1. Coordinate work of his own employees and suppliers.
 - 2. Expedite his work to assure compliance with schedules.
 - 3. Coordinate his work with that of other Prime Contractors, subcontractors, and work by DISTRICT.
- C. Each Prime Contractor shall coordinate his work and the work of his subcontractors with other Prime Contractors on Project.
- D. This Prime Contractor understands and will coordinate with Bid Packs 01to ensure proper coordination, scheduling and ensure that the required Fire Watch/Security is well informed and coordinated with the Construction Manager and reviewed at each construction meeting.

1.2 RELATED REQUIREMENTS:

- A. The General Conditions of the Contract: Authority and responsibilities of the Contractor and subcontractor.

1.3 CONSTRUCTION ORGANIZATION AND START-UP:

- A. The Prime Contractor shall establish on-site lines of authority and communications, and each Contractor shall:
 - 1. Attend pre-construction meeting and mandatory weekly progress meetings.
 - 2. Establish procedures for inter-project communications:
 - a. Submittals
 - b. Reports and records
 - c. Recommendations

COMPTON COMMUNITY COLLEGE DISTRICT

- d. Coordination drawings
 - e. Schedules (Critical path method, submitted to CONSTRUCTION MANAGER in accordance with the General Conditions)
 - f. Resolution of conflicts
3. Interpret Contract Documents:
- a. Consult with CONSTRUCTION MANAGER to obtain interpretation from the ARCHITECT.
 - b. Assist in resolution of questions or conflicts which may arise.
 - c. Transmit written interpretations to subcontractors and to other concerned parties.
4. Assist in obtaining permits and approvals:
- a. Building permits and special permits required for all Work or for temporary facilities.
 - b. Verify that subcontractors have obtained inspections for all Work through the D.S.A. approved INSPECTOR.
5. Control the use of site:
- a. Supervise field engineering and site layout.
 - b. Allocate space for each subcontractor's use for field offices, sheds, and work and storage areas as approved by the CONSTRUCTION MANAGER.
 - c. Establish access, traffic and parking allocations and regulations.
 - d. Monitor use of site during construction.

1.4 GENERAL DUTIES:

- A. Construction Schedules - Each Prime Contractor shall:

COMPTON COMMUNITY COLLEGE DISTRICT

1. Prepare a detailed schedule of basic operations for all subcontractors.
 - a. Each subcontractor shall prepare sub-schedules to comply with critical phases.
2. Monitor schedules as work progresses:
 - a. Identify potential variances between scheduled and probable completion dates for each phase.
 - b. Recommend to CONSTRUCTION MANAGER adjustments in schedule to meet required completion dates.
 - c. Adjust schedules of subcontractors as required.
 - d. Document changes in schedule, submit to DISTRICT and ARCHITECT/ENGINEER through the CONSTRUCTION MANAGER and to involved subcontractors.
 - e. Upon written notice by CONSTRUCTION MANAGER, PRIME CONTRACTOR shall, within three (3) calendar days, provide a complete recovery schedule, including manpower loading, resource loading, detailing how the PRIME CONTRACTOR and his subcontractors will recover PRIME CONTRACTOR'S original scheduled milestone dates. Recovery schedule shall show overtime, weekends, or multiple shifts as necessary to meet each milestone of the original schedule.
3. Observe Work of each subcontractor to monitor compliance with schedule.
 - a. Verify that labor and equipment are adequate for the Work and the schedule.
 - b. Confirm that product procurement schedules are adequate.
 - c. Confirm that product deliveries are adequate to maintain schedule.

COMPTON COMMUNITY COLLEGE DISTRICT

- d. Report noncompliance to District D.S.A. approved INSPECTOR, with recommendation for changes.
- B. Process Shop Drawings, product data and samples - Each Prime Contractor shall:
1. Prior to submittal to ARCHITECT/ENGINEER, review for compliance with Contract Documents:
 - a. Field dimensions and clearance dimensions.
 - b. Relation to available space.
 - c. Relation to other contracts and to other trades.
 - d. Effect of any changes on the Work of any other contracts or other trades.
 - e. Provide written approval that submittals have been approved by Prime Contractor.
- C. Review coordination drawings prepared by mechanical and electrical Contractors - Each Prime Contractor shall:
1. Prior to submittal to ARCHITECT/ENGINEER, through the CONSTRUCTION MANAGER, review for compliance with Contract Documents.
 2. Resolve conflicts and assure coordination of the Work of, or affected by, mechanical and electrical trades, or by special equipment requirements.
- D. Inspection and testing - Each Prime Contractor shall:
1. Inspect Work to assure performance in accordance with requirements of Contract Documents.
 2. Bring to ARCHITECT'S/ENGINEER'S attention, through the CONSTRUCTION MANAGER, the need of any special testing and inspections of suspect Work.
 3. Reject Work which does not comply with requirements of Contract Documents.
 4. Coordinate Testing Laboratory services:

COMPTON COMMUNITY COLLEGE DISTRICT

- a. Verify that required laboratory personnel are present.
 - b. Verify that tests are made in accordance with specified standards.
 - c. Review test reports for compliance with specified criteria.
 - d. Recommend and administer any required retesting.
- E. Monitor the use of temporary utilities - Each Prime Contractor shall verify that adequate services are provided and maintained.
- F. Monitor the PRIME CONTRACTOR'S periodic cleaning - Each Prime Contractor shall:
1. Enforce compliance with Specifications.
 2. Resolve any conflicts.
- G. Arrange for delivery of DISTRICT furnished products - Each Prime Contractor shall:
1. Inspect for condition at delivery.
 2. Turn over to appropriate subcontractor, obtain receipt.
- H. Changes and substitutions - Each Prime Contractor shall:
1. Recommend necessary or desirable changes to DISTRICT and to ARCHITECT/ENGINEER, through the CONSTRUCTION MANAGER.
 2. Review subcontractor's requests for changes and substitutions. Submit recommendations to DISTRICT and to ARCHITECT/ENGINEER through the CONSTRUCTION MANAGER.
 3. Assist ARCHITECT/ENGINEER, through the CONSTRUCTION MANAGER, in negotiating Change Orders.
 4. Promptly notify all subcontractors of pending changes or substitutions.

1.5 CLOSE-OUT DUTIES:

COMPTON COMMUNITY COLLEGE DISTRICT

- A. Mechanical and electrical equipment start-up:
1. Coordinate check-out of utilities, operations systems, and equipment.
 2. Assist in initial start-up and testing.
 3. Record dates of start of operation of systems and equipment.
 4. Submit to DISTRICT written notice of beginning of warranty period for equipment put into service.
- B. At completion of Work of each Prime Contract, conduct an inspection to assure that:
1. Specified cleaning has been accomplished.
 2. Temporary facilities have been removed from site.
- C. Substantial Completion:
1. Conduct an inspection to confirm or supplement Prime Contractor's list of work to be completed or corrected.
 2. Assist ARCHITECT/ENGINEER, through the CONSTRUCTION MANAGER, in preparation of correction list.
 3. Supervise correction and completion of Work as established in Certificate of Substantial Completion.
- D. When DISTRICT occupies a portion of Project prior to final completion, coordinate established responsibilities of PRIME CONTRACTOR and DISTRICT.
- E. Final Completion:
1. When each Prime Contractor determines that Work is finally complete, conduct an inspection to verify completion of Work, prior to Punchlist.

COMPTON COMMUNITY COLLEGE DISTRICT

2. Assist ARCHITECT/ENGINEER, through the CONSTRUCTION MANAGER, in verification of final completion.
- F. Administration of Contract Close-out: - Each Prime Contractor shall:
1. Review final submittals and as-builts prior to transmittal.
 2. Transmit to ARCHITECT/ENGINEER, through the CONSTRUCTION MANAGER, with recommendations for action.

1.6 REQUEST FOR INFORMATION

- A. Each Prime Contractor shall plan, schedule, coordinate and sequence Work so Requests for Information (RFI), if necessary, may be submitted to the Architect/Engineer in a timely manner so as not to delay progress of Work. Submission of and responses to RFI(s) with copies to Owner, shall be transmitted via facsimile (FAX) equipment or via email to designated email addresses.
- B. Telephone conversations requesting information shall be confirmed in writing for prompt reply of all RFI(s). Prime Contractor shall coordinate the timing of facsimile (FAX), email and telephone conversations to be made with the Architect's/Engineer's office between the hours of 8:00 a.m. and noon, Monday through Friday.
- C. Architect/Engineer shall have the same time period to respond to RFI(s) as "shop drawing review period". When Architect/Engineer responds to an RFI within 5 working days after receipt of RFI but when the response already is contained or included within contract documents, or is based on referenced standards, or is based on established and common construction practices, Contractor shall reimburse the Architect at the following hourly rates:

Principal	\$150
Associate Architect/Project Manager	100
Project Architect/Engineer	85
Job Captain	70
Draftsperson	65
Support Staff	45

If RFI requires Architect's/Engineer's Consultant(s) acknowledgement, Prime Contractor shall reimburse consultant(s), at the same hourly rate for consultant's staff; Prime Contractor shall also pay to the Architect, a percentage for overhead and profit to

COMPTON COMMUNITY COLLEGE DISTRICT

the consultant's fee, equal to the markup the Prime Contractor adds to "Change Orders".

- D. Prime Contractor shall be billed at "Request for Payment" meeting, and payment is due on the 10th day of the following month. If payment is not received by Architect/Engineer by that date, Architect's/Engineer's response to pending RFIs will be delayed by the same number of days as the days the payment check for RFI services is late.
- E. No damages for delay due to RFI response beyond allotted time will be allowed, unless Contractor can show that RFI was not foreseeable with proper planning, scheduling, coordination, and sequencing, and the Architect's/Engineer's late response delayed timely purchase or delivery of equipment or material, or limited construction personnel from proceeding with their task(s), within previously listed "Construction Schedule" activity period(s).

1.7 QUALITY ASSURANCE

- A. Familiarity with Contract Documents:
 - 1. Prime Contractor and all Subcontractors shall conduct a study necessary to become completely familiar with all requirements. Applicable requirements indicated or described in the Contract Documents, and the publications referred to, are a part of the Work required as though repeated in each such Section.
 - 2. In the event discrepancies or conflicts are encountered, notify the Architect/Engineer immediately. Where there is discrepancy between different parts of the contract documents, including referenced codes and standards, the documents requiring the higher quality, the greater quantity, or the more difficult work shall govern, unless determined otherwise by the Architect.
 - 3. Promptly distribute required information to entities concerned and ensure the needed actions are taken.
- B. Reporting: Unless otherwise noted by the Prime Contractor in his transmittals, all of the Prime Contractor's data transmittals to the Architect/Engineer for the Architect's/Engineer's review will be construed as stipulating that the Prime Contractor has thoroughly and completely reviewed and coordinated the data prior to transmittal.

COMPTON COMMUNITY COLLEGE DISTRICT

- C. Interfacing: It shall be solely the responsibility of each Prime Contractor to make sure that the assigned work completes in a timely manner and that all interfaces are prepared, connected, and function as required.

PART 2 – PRODUCTS – All products will be submitted and approved by the Architect/Engineer prior to purchase and then placement.

PART 3 - EXECUTION

3.1 PLANNING THE WORK

- A. By thorough advance planning of activities, coordinate the following in addition to other coordination activities required:
 - 1. Materials, services, and equipment purchasing.
 - 2. Shipping.
 - 3. Receipt and storage at the site.
 - 4. Installation, including interface with related items.
 - 5. Inspection and testing, to the extent required under the Contract.
 - 6. Assistance in initial start-up and operational tests.
 - 7. Completion of the Work, including removal and disposal of Contractor's surplus material and equipment, and final cleaning of structures and sites.

3.2 COORDINATION

- A. Coordinate construction activities included under various Sections of these Specifications to ensure efficient and orderly installation of each part of the Work. Coordinate construction operations included under different Sections of the Specifications that are dependent upon each other for proper installation connection and operation.
- B. Administrative Procedures: Coordinate scheduling and timing of required administrative procedures with other construction activities to avoid conflicts and ensure orderly progress of the Work.

COMPTON COMMUNITY COLLEGE DISTRICT

3.3 GENERAL INSTALLATION PROVISIONS

- A. Coordination methods used by the Prime Contractor are at the Prime Contractor's option, except that the Architect/Engineer may disapprove Work completed by the Prime Contractor or data submitted by the Prime Contractor when, in the Architect's/Engineer's judgment, coordination has been inadequate to ensure the specified quality.
- B. Mounting Heights: Where mounting heights are not indicated, install individual components at standard mounting heights recognized within the industry for the particular application indicated. Refer questionable mounting height decisions to the Architect for final decision.

END OF SECTION

COMPTON COMMUNITY COLLEGE DISTRICT

ACCELERATION OF WORK

PART 1 - GENERAL

1.1 SUMMARY

- A. This Section specifies administrative and procedural requirements for the acceleration of the work by the Contractor.
 - 1. Where work is falling behind the construction schedule and the total project may not be completed by the date for contract completion as adjusted by change orders.
 - 2. Where the District requires the entire project or a portion thereof be completed at a date earlier than the contract completion date as adjusted by change orders.
- B. Related Sections
 - 1. Section 01 25 00 - Contract Modifications Procedures
 - 2. Section 01 29 00 - Payment Procedures
 - 3. Section 01 33 00 - Submittals.
- C. Construction Completion date as stated in the Agreement shall be the completion dated as revised by all time extensions granted at the time acceleration of the work begins.

1.2 NOTICE TO ACCELERATE WORK

- A. If in the judgment of the Architect and School District it becomes necessary at any time to accelerate the work or a portion thereof to increase rate of progress, Contractor when directed in writing, shall increase his construction forces, equipment, hours of work, number of shifts, delivery of materials and provide means to insure timely completion of the project.
 - 1. Any increase in cost to Contractor to accelerate the work progress to meet construction schedules or contract completion dates are the responsibility of the Contractor.
 - 2. Contractor shall not be entitled to additional compensation for additional effort he applies to the work to meet construction schedules or contract completion dates.

COMPTON COMMUNITY COLLEGE DISTRICT

3. Overtime hours by Contractor or its Subcontractors are the responsibility of the Contractor and are not grounds for additional compensation.
- B. If in the judgment of the Architect/Engineer and School District it become necessary at any time to accelerate the work or a portion thereof be completed at a date earlier than the contract completion date, Contractor when directed in writing, shall increase his construction forces, equipment, hours of work, number of shifts, delivery of materials and provide means to insure an earlier completion date.
1. Architect/Engineer and District shall determine new accelerated completion date.
 2. Any increase in the cost to Contractor in compliance with such accelerated completion date shall be adjusted by Change Order.
- C. All directives or orders to accelerate the work will be in writing. Any directive or order terminating acceleration of the work will be in writing.
- D. Phased Construction: Where the project includes phased construction and portions of the project are to be completed at earlier times than other portions of the contract, the above stated acceleration provisions shall apply to each phase of the construction contract.

1.3 CONTRACTOR RESPONSIBILITIES

- A. Contractor shall when so directed by the Architect/Engineer or School District to accelerate the work or portion thereof, deploy Subcontractors, accelerate material deliveries, increase work forces, increase hours of work, provide additional shifts or provide other methods to accelerate progress of the work.
- B. Contractor shall within ten (10) calendar days after receiving written notice to accelerate the work, provide in writing to the Architect/Engineer and District specific measures being taken or planned to increase rate of progress along with a revised Construction Schedule. Architect/Engineer may require the Contractor to make adjustments in the plan of action to insure acceleration of the work.

COMPTON COMMUNITY COLLEGE DISTRICT

- C. Contractor shall continue acceleration of the work until scheduled progress is regained for timely completion of the project. Timely completion shall be understood as the contract completion date, as revised by all time extensions granted at the time acceleration begins.

1.4 REVISED CONSTRUCTION SCHEDULE

- A. Critical-Path Acceleration of Work Schedule: Prepare a new revised fully developed, Critical Path Method type Contractor's construction schedule showing an Acceleration of Work Schedule and new completion dates where an earlier completion date is directed. Revised schedule shall show acceleration of work scheduled to increase progress of the work to provide for timely completion of the project.

PART 2 – PRODUCTS - (Not Applicable)

PART 3 – EXECUTION - (Not Applicable)

END OF SECTION

COMPTON COMMUNITY COLLEGE DISTRICT

SUBMITTAL PROCEDURES

PART 1 - GENERAL

1.1 SUMMARY

- A. Section Includes: General requirements for the submittal of Shop Drawings, product literature, samples, RFIs, and other data.
 - 1. To ensure that specified products are furnished and installed in accordance with the design intent, procedures have been established for advance submittal of relevant data, and for review and acceptance or rejection of that data by the Architect.
 - 2. Procedures have been established to ensure that Contractor requests for information and clarification are processed efficiently and promptly.
- B. Referenced Documents and Sections:
 - 1. Document 00 72 00 - General Conditions.
 - 2. Section 01 45 00 - Quality Control.
 - 3. Section 01 63 00 - Product Substitution Procedures.
- C. Substitutions: Requests for substitutions shall be made in accordance with the provisions of, and in a form described in, Section 01 63 00.

1.2 DEFINITIONS

- A. Request For Information (RFI): A document submitted by the Contractor requesting clarification of a portion of the Contract Documents, hereinafter referred to as RFI.
 - 1. Proper RFI: An RFI that includes a detailed written statement indicating the specific Drawings or Specification section in need of clarification and the nature of the clarification requested.
- B. Improper RFIs: RFIs that are not properly prepared.

COMPTON COMMUNITY COLLEGE DISTRICT

1. Improperly prepared RFIs will be processed by the Architect/Engineer at the Architect's/Engineer's standard hourly rate. The Architect will charge the Owner, and such costs will be deducted from monies still due the Contractor.
 - a. The Contractor will be notified by the Architect/Engineer prior to the processing of Improper RFIs.
- C. Frivolous RFIs: RFIs that request information that is clearly shown on the Contract Documents.
 1. Frivolous RFIs may be returned unprocessed. If processed, the Architect may charge the Owner at the Architect's/Engineer's standard hourly rate, and such costs will be deducted from monies due the Contractor.
 - a. The Contractor will be notified by the Architect/Engineer prior to the processing of Frivolous RFIs.

1.3 SCHEDULE OF SUBMITTALS

- A. Schedules: Furnish required schedules in accordance with the General Conditions listing all items that will be submitted for acceptance-review by the Construction Manager and Architect/Engineer.
 1. Include Shop Drawings, manufacturer's literature, test procedures, test results, certificates of compliance, material samples, and special guaranties.
 2. Indicate scheduled dates for submitting the above items, projected needs for responses, and procurement dates.
 3. Revise and update submittal schedule as required to keep current. Make revised schedules available to the Architect/Engineer for review.
- B. For drawings larger than 11 inches by 17 inches, submit two copies of blueline prints, and one reproducible sepia or vellum of each Shop Drawing submittal, or as determined by mutual agreement. One reproducible copy will be returned to Contractor for reproduction and distribution as required.

COMPTON COMMUNITY COLLEGE DISTRICT

1. Alternately, provide two sets of plain bond paper copies 11 inches by 17 inches in size.
- C. Make submittals in accordance with the General Conditions to allow adequate time for securing necessary acceptances, for revision and resubmittal, for placing orders and securing delivery, and to accommodate the rate of construction progress required under the Contract.
- D. Do not begin work requiring submittals until the submittals have been returned with the other professional consultant's stamp indicating review and acceptance.
1. Provide acknowledgement stamp by Contractor signifying review and acceptance of submittal as defined in Article 1.5 - Coordination of Submittals.
- E. Submittals with Bid:
1. Elevators: Provide copies of Preventive Maintenance Contract in accordance with Project Manual Elevator Specifications (if any).

1.4 IDENTIFICATION OF SUBMITTALS

- A. On submittal forms acceptable to the Architect/Engineer, identify each submittal and resubmittal by including the following information:
1. Name and address of submitter, including name and telephone number of the individual to be contacted for further information.
 2. Complete name of Project.
 3. Drawing number and Specification Section number to which the submittal applies.
 4. Whether submittal is an original or a resubmittal.
 5. Date submittal was prepared or revised.

1.5 COORDINATION OF SUBMITTALS

COMPTON COMMUNITY COLLEGE DISTRICT

- A. General: Fully coordinate materials prior to submittal for review. Include a transmittal form with a signed statement that submittal satisfies the following procedures:
 - 1. Determine and verify field dimensions and other field conditions.
 - 2. Coordinate with work of related trades.
 - 3. Coordinate with the requirements of public agencies having jurisdiction.
 - 4. Secure required approvals from public agencies and signify by stamp, or other legitimate means, that they have been secured.
 - 5. Indicate necessary deviations from the Contract Documents in a clear manner.
- B. Grouping of Submittals: Make submittals in groups containing associated items. The Architect reserves the right to reject partial submittals as not complying with provisions of the Contract Documents.

PART 2 - PRODUCTS

2.1 PRODUCT DATA

- A. When required by Part 1 - General of the respective Sections, submit manufacturer's printed product data and instructions for products used on the Project. Include catalog cuts, diagrams, and other descriptive material published by the manufacturer, as well as evidence of compliance with safety and performance standards to demonstrate conformance to the specified requirements. Catalog numbers alone will not be acceptable.
 - 1. Include complete lists of materials, illustrations, standard schedules, performance charts, instructions, brochures, diagrams, and other information proposed for use, giving manufacturer's name, catalog number, and catalog cut for each item, where applicable.
 - 2. When materials, equipment, or fixtures are identified by numeric, alphabetical, or alphanumeric designations,

COMPTON COMMUNITY COLLEGE DISTRICT

identify materials, equipment, and fixtures proposed for use with identical designations.

2.2 SHOP DRAWINGS

- A. When required by Part 1 - General of the respective Sections for the various portions of the construction, provide special detailed drawings, diagrams, schedules, and other data in amplification of the Contract Documents before proceeding with the work.
 - 1. Refer to Document 00 72 00 - General Conditions for obligations under the Contract regarding Shop Drawings, product data, and samples.
- B. Submit Shop Drawings prepared by qualified detailers. Identify details by reference to Contract Drawing sheet and detail numbers and by specification section and article numbers. Provide a blank area approximately 4 inches by 4 inches for Architect's review stamp.
 - 1. Do not use reproductions of Contract Drawings for fabrication or erection drawings.
- C. Shop Drawings submitted shall include not less than the following:
 - 1. Dimensioned plans, elevations, and sections locating assembly components in relationship to each other and in relationship to contiguous building structure.
 - 2. Typical and special fabrication and installation details, including details of anchorage to supporting structure.
 - 3. Materials and finishes.
- D. Indicate desired deviations from Contract Drawings on Shop Drawings by placing a heavy line around features on which acceptance is requested. Append a note to each deviation specifically requesting acceptance.
 - 1. Contractor is advised that the identification of "desired deviations" will not be construed as a means of requesting substitutions. Make requests for substitutions in accordance with the provisions of Section 01 63 00.
- E. Refer to Part 3 - Execution, for additional review documentation procedures.

COMPTON COMMUNITY COLLEGE DISTRICT

2.3 SAMPLES

- A. When required by Part 1 - General of the respective Sections of the Specifications, submit physical examples of each item which illustrate materials, equipment, or workmanship, and establish standards by which the work will be judged.
- B. All products requiring color selection shall be submitted prior to any selection of colors by the Architect/Engineer. Allow sufficient time for color selection of all items so as not to delay construction progress.

2.4 QUALITY CONTROL SUBMITTALS

- A. Test Reports: When and as directed by the Architect/Engineer, submit certified laboratory test reports confirming physical characteristics of materials used in the performance of the work. Refer to Section 01 45 00 for general requirements for inspections and tests.
- B. Manufacturer's Instructions: Submit manufacturer's current recommended methods of installation, including relevant limitations, safety and environmental cautions, and application rates.

2.5 EQUIPMENT ROOM LAYOUT DRAWINGS

- A. Prepare and submit equipment room layout drawings where required by the Contract Drawings and additionally for areas where equipment proposed for use could present interface or space difficulties.
 - 1. Submit room layout drawings within 10 calendar days after receipt of Notice to Proceed in conformance with the requirements specified for Shop Drawings.
 - 2. Include elevations of wall mounted items.

2.6 CERTIFICATES OF COMPLIANCE

- A. When required by Part 1 - General of the respective Sections of the Specifications, furnish certificates to demonstrate compliance of materials with specification requirements, including statements of application and extended guaranties, executed in duplicate. Furnish certificates to the Architect at least 10 days prior to delivery of product. Review certificates before submittals are made to ensure

COMPTON COMMUNITY COLLEGE DISTRICT

compliance with the specification requirements, and to ensure that the affidavit is properly executed.

1. Furnish certificates relative to flame-resistance for all decorative materials.
- B. Furnish certificates signed by an official authorized to act on behalf of the manufacturing company, material supplier, or other third-party entity, as required. Furnish certificates that contain the name and address of the Contractor, the Project name and location, and the quantity and dates of shipment or delivery to which the certificates apply. In the case of copies of laboratory test reports submitted with certificates, furnish test reports which contain the name and address of the testing laboratory and the dates of the tests to which the report applies.
- C. Certification will not be construed as relieving the Contractor from furnishing satisfactory material if, after tests are performed on selected samples, the material is found not to meet the specific requirements.

2.7 CONSTRUCTION COST BREAKDOWN

- A. Within 10 calendar days after issuance of Notice to Proceed, submit a Construction Cost Breakdown (Schedule of Values) based on final Contract Sum and scope of work for use in evaluating construction progress and certificates of payment.

PART 3 - EXECUTION

3.1 CONTRACTOR'S REVIEW

- A. Check subcontractor-submitted drawings and data, verify field measurements, apply review stamp, and submit to the Architect/Engineer promptly.
1. Indicate on review stamp that Contractor has reviewed subcontractor's submittal for conformance to the specified product and submittal procedures.
 2. Disapprove and return to the material supplier, submittals not meeting the requirements of the Contract Documents.

3.2 ARCHITECT'S REVIEW

COMPTON COMMUNITY COLLEGE DISTRICT

- A. The Architect/Engineer will review, and either accept or reject with reasonable promptness and as outlined in the accepted submittal schedule, data and drawings submitted by the Contractor. The Architect/Engineer will review submittals for conformance with the intent of the design, and for compliance with specific and relevant requirements of the Contract Documents.
 - 1. The Architect/Engineer will reject and return to the Contractor, Shop Drawings and product literature submitted without the Contractor's review stamp.
 - 2. The Architect/Engineer will reject and return to the Contractor, Shop Drawings not thoroughly reviewed by Contractor prior to submittal.
- B. The Architect/Engineer is not responsible for delays caused by rejection of Shop Drawings submitted by the Contractor.
- C. Review Procedures:
 - 1. Review will not relieve the Contractor from responsibility for errors.
 - a. Acceptance of submittals shall not be construed as authorizing changes in the Contract Sum or Contract Time, nor shall it be construed as relieving the Contractor of his responsibility for coordination of work with other trades, or interpreted as approving quantities and dimensions.
 - 2. Notations:
 - a. REVIEWED: Fabrication, manufacture, or construction may proceed.
 - b. MAKE CORRECTIONS NOTED: Fabrication, manufacture, or construction may proceed providing submittal complies with comments and notations. If, for any reason, Contractor cannot comply with the comments and notations, Contractor shall bring reasons to the attention of the Architect/Engineer promptly. If Contractor cannot comply with the comments and notations, the MAKE CORRECTIONS NOTED becomes REJECTED. The Contractor shall return the revised version of the submittal to the Architect/Engineer when requested to do so.

COMPTON COMMUNITY COLLEGE DISTRICT

- c. REJECTED: Submittal does not comply with the Contract Documents and fabrication, manufacture, and construction shall not proceed. Submittals stamped REJECTED are not permitted on the job site. Review and re-submit submittal.

3.3 DISTRIBUTION OF SUBMITTALS BY CONTRACTOR

- A. After Architect's/Engineer's review, distribute copies of Shop Drawings and product data which carry the Architect's/Engineer's stamp as determined at the pre-construction meeting. If not otherwise determined, distribute one copy to each of the following:
 - 1. Contractor's Project site file.
 - 2. Project record documents file.
 - 3. Subcontractor, supplier, or fabricator.
 - 4. Other prime Contractors, if applicable.
 - 5. Owner's Representative (at Owner's option).
- B. Distribute samples as directed.
- C. Maintain an up-to-date submittal log.

3.4 CONTRACTOR'S RESPONSIBILITY

- A. The Architect's/Engineer's review of submittals or data shall not relieve the Contractor from responsibility for deviations from Contract Drawings or Specifications unless the Contractor has called the Architect's/Engineer's and Owner's attention to such deviations and secured written acceptance, nor shall it relieve him of responsibility for errors in Shop Drawings or other data.
- B. In the event the Architect/Engineer rejects a submittal twice for valid reasons, including improper procedures, the Contractor shall accept the responsibility to pay for professional services to cover further processing of the submittal. A flat hourly rate, as agreed upon, shall be paid by the Contractor.

END OF SECTION

COMPTON COMMUNITY COLLEGE DISTRICT

ALTERATION PROJECT PROCEDURES

PART 1 - GENERAL

1.1 SUMMARY

- A. This Section specifies administrative and procedural requirements for Alteration or Modernization Projects for acceptance of existing site conditions, selective demolition, cutting and patching of existing buildings and site improvements, removal and reinstallation of existing materials, wiring and equipment and interface with existing construction.
- B. Refer to other Sections for specific requirements and limitations applicable to Alteration or Modernization projects
- C. Requirements of this Section apply to Sections in Divisions 2 through 16.

1.2 RELATED SECTIONS

- A. Section 01 01 00 - Summary of work.
- B. Section 01 73 20 - Cutting and Patching

1.3 ALTERATION PROJECTS GENERAL PROCEDURES

- A. Alteration/Modernization projects require that the contractor may need to demolish, cut, alter, expose, modify, repair, replace, reconstruct, patch, reroute, or other construction procedures to interface new construction into existing construction.
- B. The Drawings and specifications are not intended to show in detail all Alteration Project Procedures for interface of new construction into existing construction. It is the responsibility of the Contractor to include in the Contract Price Allowances for such Alteration Procedures.

1.4 QUALITY ASSURANCE

- A. Matching existing Construction: On Alteration\Modernization projects new materials are to match existing materials for patching and extending work.

COMPTON COMMUNITY COLLEGE DISTRICT

- B. Determine type and quality of existing materials by inspection and testing. Existing construction shall be used as a standard of quality for new construction unless noted or specified otherwise.

PART 2 - PRODUCTS

2.1 MATERIALS

- A. Use materials that are identical to existing materials. If identical materials are not available or cannot be used where exposed surfaces are involved, use materials that match existing adjacent surfaces to the fullest extent possible with regard to visual effect. Use materials whose installed performance will equal or surpass that of existing materials.

PART 3 - EXECUTION

3.1 EXAMINATION

- A. Verify that selective demolition is complete and areas are ready for installation of new work.

3.2 PREPARATION

- A. Cut, move, or remove items as necessary for access to alteration and renovation work. Replace and restore prior to completion.
- B. Remove unsuitable material not marked for salvage, such as rotted wood, corroded metals, and deteriorated construction. Replace materials as specified for the affected finish material.
- C. Remove debris and abandoned items from area and from concealed spaces.
- D. Remove surface finishes to provide for proper installation of new work.
- E. Temporarily close openings in exterior surfaces to protect existing improvement from weather, temperature and humidity during construction of new work.

3.3 INSTALLATION

COMPTON COMMUNITY COLLEGE DISTRICT

- A. Coordinate work of Alteration/Modernization to expedite completion and to accommodate School occupancy of the facility.
- B. Remove, cut and patch in a manner to minimize damage to existing facilities and to provide a means of restoring materials and finishes to original conditions.
- C. Refinish visible existing surfaces to remain in Alteration/Modernization areas to specified condition for each material, with a neat transition to adjacent finishes.
- D. In addition to the specified new equipment, fixtures, wiring, conduit, materials, etc. bring existing systems to full operational conditions before Alteration/Modernization work is completed.
- E. Patch, repair and refinish work that was damaged during mechanical, electrical and other modernization work.

3.4 TRANSITIONS

- A. Where the removal or addition of walls, ceilings and finishes abuts existing construction, construct a smooth and even transition. Patch new work to existing to match adjacent work in texture and appearance.
- B. When existing surfaces are cut so that a smooth transition with new construction is not possible, terminate existing surface along a straight line at a natural line of division, such as a corner change in finish or a joint. Replace existing finish as required for a smooth transition.
- C. Trim bottom of existing doors as required to clear new floor finish.

3.5 CONSTRUCTION INTERFERENCE

- A. Where existing construction interferes with new construction, such as pipes, conduit, junction boxes, and other existing construction that may be in a location that is not compatible with new construction, contractor is to relocate, move, provide replacement or otherwise remove the construction interference.
- B. Contractor is to field verify existing conditions and is not to rely on Existing Record Drawings provided by the School District. Contractor is not to rely on any verbal instructions or verbal locations given by School District Personnel unless given or stated

COMPTON COMMUNITY COLLEGE DISTRICT

in writing. Existing Record drawings if provided are for information only and may not indicate the exact existing construction.

3.6 REPAIR OF DAMAGED SURFACES

- A. Where removal of partitions, ceilings, walls or finishes results in adjacent spaces becoming damaged, rework floors, walls and ceilings to provide for a smooth plane without break, steps, or bulkheads.
- B. Patch or replace portions of existing surfaces which are damaged, lifted, discolored, or showing other imperfections. Repair substrate prior to patching finish.

3.7 FINISHES

- A. Finish surfaces as specified in individual Product sections.
- B. Finish patches to produce uniform finish and texture over the entire area. When finish cannot be matched, refinish entire surface to nearest joint corner or intersection.

END OF SECTION

COMPTON COMMUNITY COLLEGE DISTRICT

REFERENCES

PART 1 - GENERAL

1.1 SECTION INCLUDES

- A. Requirements for reference materials applicable to contract documents
- B. Definitions of abbreviations, terms, and symbols.
- C. Establishes edition dates for reference standards found elsewhere in the specifications.

1.2 DEFINITIONS

- A. General: Basic Contract definitions are included in the General Conditions.
- B. Indicated: The term "indicated" refers to graphic representations, notes, or schedules on the Drawings, other paragraphs or schedules in the Specifications, and similar requirements in the Contract Documents. Where terms such as "shown," "noted," "scheduled," and "specified" are used, it is to help the reader locate the reference; no limitation on location is intended. Except as specifically noted.
- C. Directed: Terms such as "directed," "requested," "authorized," "selected," "approved," "required," and "permitted" mean "directed by the Architect/Engineer," "requested by the Architect/Engineer," and similar phrases. However, no such implied meaning will be interpreted to extend Architect/Engineer responsibility into Contractor's area of construction supervision.
- D. Approve: The term "approved," where used in conjunction with the Architect's/Engineer's action on the Contractor's submittals, applications, and requests, is limited to the Architect's/Engineer's duties and responsibilities as stated in General and Supplementary Conditions. In no case will "approval" by the Architect/Engineer be interpreted as a release of the contractor from responsibilities to fulfill requirements of contract documents.
- E. Regulation: The term "Regulations" includes laws, ordinances, statutes, and lawful orders issued by authorities having jurisdiction,

COMPTON COMMUNITY COLLEGE DISTRICT

as well as rules, conventions, and agreements within the construction industry that control performance of the Work.

- F. Furnish: The term "furnish" is used to mean "supply and deliver to the Project site, ready for unloading, unpacking, assembly, installation, and similar operations."
- G. Install: The term "install" is used to describe operations at project site including the actual "unloading, unpacking, assembly, erection, placing, anchoring, applying, working to dimension, finishing, curing, protecting, cleaning, and similar operations."
- H. Provide: The term "provide" means "to furnish and install, complete and ready for the intended use."
- I. Installer: An "Installer" is the Contractor or an entity engaged by the Contractor, either as an employee, subcontractor, or sub-subcontractor, for performance of a particular construction activity, including installation, erection, application, and similar operations. Installers are required to be experienced in the operations they are engaged to perform.
 - 1. The term "experienced" when used with the term "Installer" means having a minimum of 5 previous Projects similar in size and scope to this Project, being familiar with the precautions required, and having complied with requirements of the authority having jurisdiction.
- J. Project Site is the space available to the Contractor for performance of construction activities, either exclusively or in conjunction with others performing other work as part of the Project. The extent of the Project Site is shown on the Drawings and may or may not be identical with the description of the land upon which the Project is to be built.
- K. Testing Laboratories: A "testing laboratory" is an independent entity engaged to perform specific inspections or tests, either at the Project Site or elsewhere, and to report on and, if required, to interpret results of those inspections or tests.

1.3 REFERENCE STANDARDS

- A. Applicability of Standards: Except where the Contract Documents include more stringent requirements, applicable construction industry standards have the same force and effect as if bound or

COMPTON COMMUNITY COLLEGE DISTRICT

copied directly into the Contract Documents. Such standards are made a part of the Contract Documents by reference.

- B. Publication Dates: Where the date of issue of a referenced standard is not specified, comply with the standard in effect as of bid date or date of Contract Execution, for projects that are not competitively bid.
- C. Upon request, the Contractor is required to make available at the job site within a reasonable time a copy of all referenced standards referred to in the Specifications. Standards are to be maintained in the Project Job Site Office Library for use by the Architect/Engineer, School District and School District's inspector for the purpose of establishing requirements applicable to equipment, materials, quality and workmanship.
- D. Conflicting Requirements: Where compliance with two or more standards is specified, and the standards establish different or conflicting requirements for minimum quantities or quality levels, refer requirements that are different, but apparently equal, and uncertainties to the Architect for a decision before proceeding.
 - 1. Minimum Quantity or Quality Levels: The quantity or quality level shown or specified shall be the minimum provided or performed. The actual installation may comply exactly with the minimum quantity or quality specified, or it may exceed the minimum within reasonable limits. In complying with these requirements, indicated numeric values are minimum or maximum, as appropriate for the context of the requirements. Refer uncertainties to the Architect for a decision before proceeding.

1.4 ABBREVIATIONS

- A. Abbreviations and Names: Trade association names and titles of general standards are frequently abbreviated. Where such acronyms or abbreviations are used in the Specifications or other Contract Documents, they mean the recognized name of the trade association, standards generating organization, authority having jurisdiction, or other entity applicable to the context of the text provision.
- B. Refer to the "Encyclopedia of Associations," published by Gale Research Co., available in most libraries or the Construction

COMPTON COMMUNITY COLLEGE DISTRICT

Specifications Institute (CSI) Technical Document TD-2-5
November 1989, entitled "Sources of Construction Information".

PART 2 – PRODUCTS - (Not Applicable)

PART 3 – EXECUTION - (Not Applicable)

END OF SECTION



COMPTON COMMUNITY COLLEGE DISTRICT
1111 E. Artesia Blvd
Compton, California 90221
(310) 900-1600

Drinking Fountain Upgrade
Work Plan and Milestone Schedule

Task Name	Finish Date
Pre-bid Mandatory Job Walk:	1/10/19
Bid Opening:	1/29/19
Notice of Intent to Award:	2/20/19
Start Construction Phase:	2/20/19
Construction Completion:	5/21/19
Punchlist/Closeout completion:	5/21/19

COMPTON COMMUNITY COLLEGE DISTRICT

QUALITY CONTROL

PART 1 - GENERAL

1.1 SECTION INCLUDES

- A. This Section specifies administrative and procedural requirements for quality control services.
- B. Quality control services include inspections and tests and related actions including reports, performed by independent agencies, governing authorities, and the Contractor. They do not include Contract enforcement activities performed by the Architect/Engineer.
- C. Inspection and testing services are required to verify compliance with requirements specified or indicated. These services do not relieve the Contractor of responsibility for compliance with Contract Document requirements.
- D. Requirements of this Section relate to customized fabrication and installation procedures, not production of standard products.
 - 1. Specific quality control requirements for individual construction activities are specified in the Sections that specify those activities. Those requirements, including inspections and tests, cover production of standard products as well as customized fabrication and installation procedures.
 - 2. Inspections, test and related actions specified are not intended to limit the Contractor's quality control procedures that facilitate compliance with Contract Document requirements.
 - 3. Requirements for the Contractor to provide quality control services required by the Architect/Engineer, Owner, or authorities having jurisdiction are not limited by provisions of this Section.

1.2 RELATED REQUIREMENTS SPECIFIED ELSEWHERE

- A. Inspections and testing required by laws, ordinances, rules, regulations or orders of public authorities: General Conditions.

COMPTON COMMUNITY COLLEGE DISTRICT

- B. Certification of Products: Respective specification sections.
- C. Test, Adjust and Balance of Equipment: Respective specification sections.

1.3 RESPONSIBILITIES

- A. The Owner will engage and pay for the services of an independent agency to perform inspections and tests specified as the Owner's responsibilities. Testing agency and project inspector shall have approval of the Division of the State Architect.

1.4 DEFICIENCIES

- A. Tests or inspections due to the following will be reimbursed to the Owner by deductive change order.
 - 1. Retesting because of failure of initial samples.
 - 2. Additional costs due to overtime work or extra shifts work because of improper scheduling of work or of delivery of materials by Contractor.
 - 3. Failure to properly notify laboratory.
 - 4. Changes in sources, lots or suppliers of materials after original tests.
 - 5. Changes in methods or materials of construction requested by Contractor that require testing, inspection, or other related services in excess of that required by original design.
 - 6. Concrete mix designs in excess of first successful design for each concrete type.
 - 7. Overtime or extra shift work requiring overtime work by Owner's Inspector.
 - 8. This contractor will have the sole responsibility of coordinating the Schedule with the Construction Manager for Owner/General Contractor, Bid Package 01, provided Fire Watch.

COMPTON COMMUNITY COLLEGE DISTRICT

1.5 TESTS

- A. Selection of the material required to be tested shall be the responsibility of the laboratory or the Owner's representative and not selected by the Contractor.
- B. The Contractor shall notify the Owner's representative a sufficient time in advance of the manufacture of material to be supplied by him under the Contract Documents, which must be tested, in order that the Owner may arrange for the testing of material at the source of supply.
- C. Any material shipped by the Contractor from the source of supply prior to satisfactory testing and inspection or prior to the receipt of notice from said representative that testing and inspection will not be required shall not be incorporated in the work.
- D. Duties of the Testing Agency: The independent testing agency engaged to perform inspections, sampling and testing of materials and construction specified in individual Specification Sections shall cooperate with the Architect/Engineer and Contractor in performance of its duties, and is to provide qualified personnel to perform required inspections and tests.
 - 1. Notify the Architect/Engineer and Contractor promptly of irregularities or deficiencies observed in the Work during performance of its services.
 - 2. The agency is not authorized to release, revoke, alter or enlarge requirements of the Contract Documents, or approve or accept any portion of the Work.
 - 3. The agency shall not perform any duties of the Contractor.
- E. Perform specified instructions, sampling and testing of materials and methods of construction:
 - 1. Comply with specified standards; ASTM, other recognized authorities, and as specified.
 - 2. Ascertain compliance with requirements of Contract Documents.
 - 3. Comply with requirements of Title 24, Part I, Sec. 4-333.

COMPTON COMMUNITY COLLEGE DISTRICT

- F. Coordination: The Contractor and each agency engaged to perform inspections, tests, Fire Watch and similar services shall coordinate the sequence of activities to accommodate required services with a minimum of delay. In addition the Contractor and each agency shall coordinate activities to avoid the necessity of removing and replacing construction to accommodate inspections and tests.

1.6 SUBMITTALS

- A. Promptly submit copies of reports of inspections and tests mill analysis, concrete mix designs and certifications per applicable sections of the specifications.
1. Comply with requirements of Division of State Architect testing and inspection requirements.
 2. One copy of all test reports shall be forwarded to the Division of the State Architect by the testing agency. Such reports shall include all tests made, regardless of whether such tests indicated that the material is satisfactory or unsatisfactory. Samples taken but not tested shall also be reported. The reports shall show that the material or materials were sampled and tested in accordance with the requirements of Title 24, CCR and with the approved specifications. Test reports shall show the specified design strength. They shall also state definitely whether or not the material or materials tested comply with requirements.
 3. Verification of Test Reports: Each testing agency shall submit to the Office of the State Architect a verified report in duplicate covering all of the tests which are required to be made by the agency during the progress of the project. Such report shall be furnished each time that work on the project is suspended, covering the tests up to that time, and at the completion of the project, covering all tests.
 4. Submit one copy of all test reports to:
 - a. Owner
 - b. Architect/Engineer
 - c. Structural Engineer
 - d. Contractor

COMPTON COMMUNITY COLLEGE DISTRICT

- e. Inspector
- f. Division of the State Architect (DSA)
- g. Submit verification of test reports to DSA per Title 24, Part 1, CCR, Sec. 4-336.

1.7 QUALITY ASSURANCE

- A. All tests and inspection required by the Division of the State Architect are to be conducted in strict accordance with requirements of Title 24, CCR.
- B. Contractor shall comply with all Project Inspection Card requirements (DSA Form 152), DSA PR 13-01 and 13-02, and all related DSA required inspection and testing requirements.

1.8 INSPECTION BY THE SCHOOL DISTRICT

- A. The School District and its representative shall at all times have access for the purpose of inspection to all parts of the work and to the shops wherein the work is in preparation, and the Contractor shall at all times maintain proper facilities and provide safe access for such inspection.
- B. The School District shall have the right to reject materials and workmanship which are defective, or to require their correction. Rejected workmanship shall be satisfactorily corrected and rejected materials shall be removed from the premises without charge to the School District. If the Contractor does not correct such rejected work within a reasonable time, fixed by written notice, the School District may correct same and charge the expense to the Contractor.
- C. Should it be considered necessary or advisable by the School District at any time before final acceptance of the entire work to make an examination of work already completed by removing or tearing out the same, the Contractor shall on request promptly furnish all necessary facilities, labor and materials. If such work is found to be defective in any respect due to fault of the Contractor or his subcontractor, he shall defray all expenses of such examinations and of satisfactory reconstruction. If, however, such work is found to meet the requirements of the Contract, the additional cost of labor and materials necessarily involved in the examination and replacement shall be allowed the Contractor.

COMPTON COMMUNITY COLLEGE DISTRICT

- D. District to provide an Inspector employed by the District in accordance with the requirements of the California Code of Regulations, Title 24, to be assigned to the work. His duties are specifically defined in Title 24, Part I, Sec. 4-342. The work of construction in all stages of progress shall be subject to the personal continuous observation of the Inspector. He shall have free access to any or all parts of the work at any time. The contractor shall furnish the Inspector reasonable facilities for obtaining such information as may be necessary to keep him fully informed respecting the progress and manner of the work and the character of the materials. Inspection of the work shall not relieve Contractor from any obligation to fulfill this Contract.

1.9 WORK BY DISTRICT'S INSPECTORS

- A. General inspection of construction.
- B. Concrete slump tests.
- C. Concrete cylinder samples.
- D. Cement samples and tests.
- E. Reinforcing Steel sample and test, (#5 and larger).
- F. Continuous inspection of Structural Concrete placement.
- G. Structural Steel sample and test.
- H. Continuous inspection of welds, (shop and field).

1.10 CONTRACTOR'S RESPONSIBILITIES

- A. Cooperate with laboratory personnel, provide access to work, to manufacturer's operations.
- B. Provide to laboratory, selected preliminary representative samples of materials to be tested, in required quantities.
- C. Furnish casual labor and facilities:
 - 1. To provide access to work to be tested.
 - 2. To obtain and handle samples at the site.

COMPTON COMMUNITY COLLEGE DISTRICT

3. To facilitate inspections and tests.
 4. For laboratory's exclusive use for storage and curing of test samples.
- D. Notify laboratory sufficiently in advance of operations to allow for his assignment of personnel and scheduling of tests. Per Specification Section 1305, the contractor will provide an updated 2 Week Look Ahead to ensure proper and timely scheduling.

PART 2 - PRODUCTS - (Not Applicable)

PART 3 - EXECUTION

3.1 MISCELLANEOUS TESTS AND INSPECTIONS

- A. Soil and Compaction Testing and Inspection: Performed by soils engineer employed and paid by the School District.
- B. Roofing Inspection: As specified in Section "Built-Up Roofing".
- C. Moisture and Bond Tests for resilient flooring and non-breathing floor surface materials. Performed by Independent Testing Agency and paid for by the School District.
- D. Special Tests: Special tests requested by School District, Architect or Division of the State Architect will be paid for by the School District, except that if such tests fail, the costs for failed tests and additional retesting shall be deducted from the Contract Price by Change Order.

3.2 SCHEDULE OF TESTS, INSPECTIONS AND METHODS

- A. Foundations (Chapter 18A):
 1. Earth Fill Compaction: 1802A
- B. Concrete (Chapter 19A):
 1. Materials:
 - a. Portland Cement Tests: 1929A.1
 - b. Concrete Aggregates: 1903A.3

COMPTON COMMUNITY COLLEGE DISTRICT

- c. Reinforcing Bars: 1903A.5, 1929A.2
 - d. Batch Plant Inspection and Tests: 1929A.4
 - 2. Concrete Quality:
 - a. Proportions of Concrete: 1905A.2.3, 1905A.3.1.1, 1905A.3.3.2, 1905A.4
 - b. Strength Tests of Concrete: 1905A.6
 - c. Splitting of Tensile Test 1905A.1.5
 - 3. Concrete Inspection:
 - a. Job Site Inspection: 1905A.7
 - b. Batch Plant or Weighmaster Inspection: 1929A.4
- C. Structural Steel (Chapter 22A):
 - 1. Materials:
 - a. Structural Steel, Cold-Formed Steel: 2203A.3
 - b. Structural Steel Construction: 2203A.2
 - 2. Inspection and tests of Structural Steel:
 - a. Tests of Structural and Cold Formed Steel: 2231A.1
 - b. Tests of End-Welded studs (Nelson Studs): 2231A.3
 - c. Welding Inspection: 2231A.5
 - d. High Strength Bolts: 2231A.2
- D. Wood (Chapter 23A):
 - 1. Materials:
 - a. Lumber and Plywood Grading: 2303A.1. 2303A.2
 - b. Glue-Laminated Member testing: 2337A.1

COMPTON COMMUNITY COLLEGE DISTRICT

Note: Chapters and Articles refer to 1997 UBC and 1998 Title 24 Part 2, California Building Code (CBC), 1998

3.3 REPAIR AND PROTECTION

- A. General: upon completion of inspection, testing, sample-taking and similar services, repair damaged construction and restore substrates and finishes to eliminate deficiencies, including deficiencies in visual qualities of exposed finishes. Comply with Contract Document requirements for "Cutting and Patching".
- B. Protect construction exposed by or for quality control service activities, and protect repaired construction.
- C. Repair and protection is the Contractor's responsibility, regardless of the assignment of responsibility for inspection, testing or similar service.

END OF SECTION

COMPTON COMMUNITY COLLEGE DISTRICT

TEMPORARY FACILITIES AND CONTROLS

PART 1 - GENERAL

1.1 SUMMARY

- A. This Section specifies requirements for temporary services and facilities, including utilities, construction and support facilities, security and protection.
- B. Temporary utilities required include but are not limited to:
 - 1. Water service and distribution.
 - 2. Temporary electric power and light.
 - 3. Telephone service with separate Fax line.
 - 4. Storm and sanitary sewer.
- C. Temporary construction and support facilities required include but are not limited to:
 - 1. Temporary heat.
 - 2. Field offices and storage sheds.
 - 3. Sanitary facilities, including drinking water.
 - 4. Temporary enclosures.
 - 5. Temporary Project identification sign.
 - 6. Waste disposal services.
- D. Security and protection facilities required include but are not limited to:
 - 1. Temporary fire protection. Coordination of Fire Watch.
 - 2. Barricades, warning signs.
 - 3. Environmental protection.

COMPTON COMMUNITY COLLEGE DISTRICT

4. Temporary security fencing when required and in compliance with the Phase temporary fencing provided by Bid Package xx.

1.2 SUBMITTALS

- A. Temporary Utilities: Submit reports of tests, inspections, meter readings and similar procedures performed on temporary utilities.

1.3 RELATED WORK

- A. All equipment furnished by subcontractors shall comply with all requirements of pertinent safety regulations. The ladders, planks, hoists, and similar items normally furnished by the individual trades in execution of their own portions of the work are not part of this section.
- B. Permanent installation and hook-up of the various lines are described in the other pertinent sections.

1.4 QUALITY ASSURANCE

- A. Regulations: Comply with industry standards and applicable laws and regulations of authorities having jurisdiction, including but not limited to:
 1. Building Code requirements.
 2. Health and safety regulations.
 3. Utility company regulations.
 4. Police, Fire Department and Rescue Squad rules.
 5. Environmental protection regulations.
- B. Standards: Comply with NFPA Code 241, "Building Construction and Demolition Operations", ANSI-A10 Series standards for "Safety Requirements for Construction and Demolition", and NECA Electrical Design Library "Temporary Electrical Facilities."
 1. Refer to "Guidelines for Bid Conditions for Temporary Job Utilities and Services", prepared jointly by AGC and ASC, for industry recommendations.

COMPTON COMMUNITY COLLEGE DISTRICT

2. Electrical Service: Comply with NEMA, NECA and UL standards and regulations for temporary electric service. Install service in compliance with National Electric Code (NFPA 70).
- C. Inspections: Arrange for authorities having jurisdiction to inspect and test each temporary utility before use. Obtain required certifications and permits.

1.5 PROJECT CONDITIONS

- A. Conditions of Use: Keep temporary services and facilities clean and neat in appearance. Operate in a safe and efficient manner. Take necessary fire prevention measures. Do not overload facilities, or permit them to interfere with progress. Do not allow hazardous dangerous or unsanitary conditions, or public nuisances to develop or persist on the site.

PART 2 - PRODUCTS

2.1 MATERIALS

- A. General: Provide new materials; if acceptable to the Architect/Engineer, undamaged previously used materials in serviceable condition may be used. Provide materials suitable for the use intended.
- B. Water: Provide potable water approved by local health authorities.

2.2 FIELD OFFICE

- A. Provided by this Bid Package; Provide on-site, adequate field space for use by construction forces, the District Inspector, and the Architect during the time construction is in progress. The offices shall be conveniently located and shall be watertight and waterproof, clean, insulated, heated, cooled, lockable, provided with windows to give adequate light and ventilation, have electrical service outlets, and have a floor. Minimum size of temporary site construction is 360 square feet.
 1. The Contractor shall provide and pay for separate telephone service for phone and fax machine. Telephone and fax machines are to be on separate telephone line.

COMPTON COMMUNITY COLLEGE DISTRICT

2. Equip with a minimum of one desk and a layout table. Equip with additional folding chairs for field meetings.
 3. The offices, equipment, and furniture shall remain the property of the Contractor and shall be removed by contractor upon completion of work.
 4. A complete set of approved plans and specifications shall be kept in the office at all times.
- B. Inspectors Field Office: Contractor is required to provide for the use of the School District's Inspector a temporary office space to be located as directed by the Inspector and to be maintained until removal is authorized by the School District. Space is to have a lockable separate room area with a table for plans and a desk with two chairs. At least one entrance to Inspector office space is to be from the outside and not through the Contractors field office space. Provide and pay for high speed internet service. Maintain for Inspector until completion of the Contract.

2.3 TOILET FACILITIES

- A. Provided by Each Bid Package for their personnel; Provide, install and maintain, for during of the work, temporary outside toilet facilities for use of construction personnel. Toilet facilities shall be constructed, maintained and supplied as required for the numbers of construction personnel required, and according to local regulations.

2.4 FIRST AID

- A. Maintain such first aid supplies as may be required for minor accidents. Make arrangements with local emergency center and nearest hospital to receive cases requiring medical attention, including emergencies. Such information shall be conspicuously displayed at the construction office.

2.5 WATCHMAN SERVICES

- A. Provided by this Bid Package; The Contractor shall provide such watchman services as he may deem necessary to properly safeguard materials, tools, appliances, and work during all hours that operations under the Contract are not actively proceeding. The District will not assume any responsibility for the loss of or damage to materials, tools, appliances or work arising from acts of theft, vandalism, malicious mischief, or other causes.

COMPTON COMMUNITY COLLEGE DISTRICT

2.6 FIRE PROTECTION

- A. Provide fire extinguisher on the premises during the course of construction of the type and sizes recommended by the NBFU to control fires resulting from the particular work being performed. Instruct employees in their use. Place extinguisher in the immediate vicinity of the work being performed, ready to be used.
- B. During the use of hazardous equipment such as acetylene torches, welding equipment, bitumen kettles, salamanders and similar devices, no work shall be commenced or equipment used unless fire extinguisher of an approved type and capacity are placed in the working area and available for use by the workmen using such hazardous equipment.
- C. Provide fire extinguisher conforming to the requirements, as minimums, of NFPA 10 and 241.

2.7 SAFETY AND PROTECTION

- A. Provided by this Bid Package the Contractor shall furnish and erect temporary or permanent fences around the areas, as indicated on the drawings, and elsewhere where required for protection of the work, and to prevent unauthorized persons from entering the construction area. Temporary fences shall be at least eight feet (6'-0") above grade, of chain link or other substantial construction. Necessary gates for access to the site shall be placed where directed by the School District.
- B. Furnish or construct barricades, lights and other guards about the work area that may be required by local ordinance or for public safety and necessity. Protect all work from vandalism.

2.8 TEMPORARY UTILITY SERVICES

- A. Provided by this Bid Package; Power and Lighting: Furnish, install and maintain temporary wiring, poles, meter board, service entrance switch, lamps and equipment necessary to provide temporary lighting and power for the construction site.
 - 1. Temporary power is available from location as directed by the Power Company.
 - 2. Any temporary transmission lines required shall be installed by Contractor.

COMPTON COMMUNITY COLLEGE DISTRICT

3. Provide power sources within eighty feet of any working position to allow the use of one hundred foot extension cords.
- B. Water: Install required temporary connections to existing water. Locate temporary pipelines so that they do not interfere with traffic or drainage. Design and construct such pipelines so that they do not leak or cause damage or nuisance.
1. Upon completion of work, remove all temporary piping.

2.9 HEAT AND VENTILATION

- A. Provide temporary heat and ventilation as required to maintain adequate environmental conditions to facilitate the progress of the work, to meet specified minimum conditions for the installation of materials, and to protect materials and finishes from damage due to temperature and humidity.
1. Pay costs of installation, maintenance, operation and removal, and fuel consumed.

2.10 CONSTRUCTION AIDS

- A. Provide construction aids and equipment required by personnel and to facilitate the execution of the work; scaffolds, staging, ladders, stairs, ramps, runways, platforms, railings, hoists, cranes, chutes and other such facilities and equipment.
- B. Provide all necessary facilities and means of access to all parts of the structure so that Governmental Agency Inspectors, Special Inspectors and the Architect and Structural Engineer may inspect any portion of the structure.
1. Means of access includes, but is not limited to, ladders, and/or scaffolds.

2.11 ACCESS ROADS AND PARKING AREAS

- A. Prior to starting work, the Contractor, District and the Architect or his representative shall make a thorough survey of the site and approaches thereto. The Contractor will maintain temporary access roads required to perform the work and locate construction offices at locations approved by the Architect/Engineer and the District. The Contractor shall verify all grade elevations indicated

COMPTON COMMUNITY COLLEGE DISTRICT

on the Drawings at the site and immediately notify the Architect/Engineer if any deviations are found. The Contractor shall assume all responsibility if any work proceeds without such notification.

- B. Maintain specific vehicular access as required for the orderly progress of the work. Fill, compact and grade areas as necessary to provide suitable support during all weather conditions for anticipated loads including municipal fire apparatus. Provide adequate surface drainage and do not interrupt natural flow of existing drainage.
- C. Provide designated parking areas for use by construction personnel.
- D. Restore temporary vehicular access and parking areas to original or to specified conditions at completion of work.

2.12 TEMPORARY CONTROLS

- A. Provide and maintain methods, equipment, and temporary construction, as necessary to provide controls over environmental conditions at the construction site and related areas under Contractor's control; remove physical evidence of temporary facilities at completion of work.
- B. Dust Control: Provide positive methods and apply dust control materials and methods to minimize raising dust from construction operations. Provide positive means to prevent air-borne dust from dispersing into the atmosphere.
- C. Water Control: Provide methods to control surface water to prevent damage to the Project, the site, or adjoining properties.
 - 1. Control fill, grading and ditching to direct surface drainage away from excavations, pits, tunnels, and other construction areas; and to direct drainage to proper runoff.
 - 2. Provide, operate and maintain hydraulic equipment of adequate capacity to control surface water.
 - 3. Dispose of drainage water in a manner to prevent flooding, erosion, or other damage to any portion of the site or to adjoining areas.
- D. Pollution Control:

COMPTON COMMUNITY COLLEGE DISTRICT

1. Provide methods, means and facilities required to prevent contamination of soil, water or atmosphere by the discharge of noxious substances from construction operations.
 2. Provide equipment and personnel; perform emergency measures required to contain any spillages, and to remove contaminated soils or liquids.
- E. Excavate and dispose of any contaminated earth off-site, and replace with suitable compacted fill and topsoil.
1. Take special measures to prevent harmful substances from entering public waters and atmosphere.
 - a. Prevent disposal of wastes, effluent, chemicals, or other such substances in sanitary or storm sewers.

PART 3 - EXECUTION

3.1 INSTALLATION

- A. Use qualified personnel for installation of temporary facilities. Locate facilities where they will serve the Project adequately and result in minimum interference with performance of the Work. Relocate and modify facilities as required.
- B. Provide each facility ready for use when needed to avoid delay. Maintain and modify as required. Do not remove until facilities are no longer needed, or are replaced by authorized use of completed permanent facilities.

3.2 TEMPORARY UTILITY INSTALLATION

- A. General: Engage the appropriate local utility company to install temporary service or connect to existing service. Where the company provides only part of the service, provide the remainder with matching, compatible materials and equipment; comply with the company's recommendations.
 1. Arrange with the company and existing users for a time when service can be interrupted, where necessary, to make connections for temporary services.

COMPTON COMMUNITY COLLEGE DISTRICT

2. Provide adequate capacity at each stage of construction. Prior to temporary utility availability, provide trucked-in services.
 3. Obtain easements to bring temporary utilities to the site, where the Owner's easements cannot be used for that purpose.
 4. Use Charges: Cost or use charges for temporary facilities are not chargeable to the Owner or Architect, and will not be accepted as a basis of claims for a Change Order.
- B. Water Service: Install water service and distribution piping of sizes and pressures adequate for construction until permanent water service is in use. Water may be taken from existing site water supply.
1. Sterilization: Sterilize temporary water piping prior to use.
- C. Temporary Electric Power Service: Provide weatherproof, grounded electric power service and distribution system of sufficient size, capacity, and power characteristics during construction period. Include meters, transformers, overload protected disconnects, automatic ground-fault interrupters and main distribution switch gear.

3.3 PROJECT IDENTIFICATION AND SIGNS

- A. Project Identification and Temporary Signs: Prepare project identification and other signs of the size indicated; install signs where indicated to inform the public and persons seeking entrance to the Project. Support on posts or framing of preservative treated wood or steel. Do not permit installation of unauthorized signs.
- B. Provide temporary on-site informational signs.
1. As required by codes, laws and regulatory agencies.
 2. To identify key elements of the construction facilities.
 3. To direct traffic.
- C. Project Identification Sign: Size, design and information lettered as specified and as shown on drawing located at the end of this section. Finish with 3 coats of paint. Locate sign as indicated or directed by the Architect and School District.

COMPTON COMMUNITY COLLEGE DISTRICT

3.4 OWNERSHIP OF TEMPORARY FACILITIES AND CONTROLS

- A. Items provided by the Contractor under this section shall remain the property of the Contractor and shall be removed from the job site immediately upon completion of the work.

3.5 COLLECTION AND DISPOSAL OF WASTE

- A. Collect waste from construction areas and elsewhere daily. Comply with requirements of NFPA 241 for removal of combustible waste material and debris. Enforce requirements strictly. Do not hold materials more than 7 days during normal weather or 3 days when the temperature is expected to rise above 80 deg F (27 deg C). Handle hazardous, dangerous, or unsanitary waste materials separately from other waste by containerizing properly. Dispose of material in a lawful manner.

3.6 OPERATION, TERMINATION AND REMOVAL

- A. Termination and Removal: Unless the Architect requests that it be maintained longer, remove each temporary facility when the need has ended, or when replaced by authorized use of a permanent facility, or no later than Substantial Completion. Complete or, if necessary, restore permanent construction that may have been delayed because of interference with the temporary facility. Repair damaged Work, clean exposed surfaces and replace construction that cannot be satisfactorily repaired.
 - 1. Materials and facilities that constitute temporary facilities are property of the Contractor. The School District reserves the right to take possession of Project identification signs.

END OF SECTION

COMPTON COMMUNITY COLLEGE DISTRICT

PRODUCT OPTIONS

PART 1 - GENERAL

1.1 SECTION INCLUDES

- A. This Section establishes procedures for specified product options.
- B. The intent of this section is to insure that specified product options exceed or equal the quality of the specified products and are furnished and installed in accordance with the design intent.
- C. This Section does not apply to any substitution requests that should have been made at time of bid in accordance with the Instructions to Bidders and the bid documents. The District can reject any requests for substitution in its sole discretion if the Contractor did not submitted a request at the time of bid in accordance with the Instructions to Bidders and the bid documents.

1.2 RELATED SECTIONS

- A. Information for Bidders
- B. Instructions to Bidders
- C. General and Supplementary Conditions
- D. Section 01 25 00- Contract Modification Procedures
- E. Section 01 33 00 - Submittal Procedures
- F. Section 01 63 00 - Product Substitution Procedures

1.3 PRODUCT OPTIONS

- A. Where product options are included in the specifications sections and are specified by naming more than one, or several acceptable products or manufacturers, select any product or manufacturer listed.
 - 1. Where more than one manufacturer or product is listed in the specifications and only one manufacturer or product is specified in detail with model numbers and features, the one specified in detail shall be considered the standard of quality required for all manufacturers or products listed.

COMPTON COMMUNITY COLLEGE DISTRICT

- B. Where product options are included in the specifications and they are followed by an "or equal " or "approved equal" or equal meeting a specified standard, review and approval by the Architect/Engineer and School District is required for Contractor-proposed equal items. Procedures specified in Section 01630 are to be followed.
- C. For items specified only by Reference Standards, select any item meeting standards.
- D. Performance Specifications: For items specified by performance requirements, select any item meeting the performance standards specified.
- E. Descriptive Specifications: When specifications describe a product or assembly, listing exact components and characteristics, without the use of a brand or trade name, provide a product or assembly that contains the components and characteristics specified.
- F. Compliance with Standards Specifications: When specifications only require compliance with a Code, Regulation or Voluntary Standard, Provide products that comply with the specified Codes, Regulations or Standards.
- G. Submit request, as required for substitution, for any item or manufacturer not specifically named in the specifications on the Substitution Request Form enclosed with the Bidding Documents.
 - 1. Architect/Engineer and School District will determine acceptability of proposed substitutions.

PART 2 – PRODUCTS - (Not Applicable)

PART 3 – EXECUTION - (Not Applicable)

END OF SECTION

COMPTON COMMUNITY COLLEGE DISTRICT

PRODUCT SUBSTITUTION PROCEDURES

PART 1 - GENERAL

1.1 SECTION INCLUDES

- A. This Section establishes procedures for Contractor submittal of substitutions. This Section does not apply to any substitution requests that should have been made at time of bid in accordance with the Instructions to Bidders and the bid documents. The District can reject any requests for substitution in its sole discretion if the Contractor did not submitted a request at the time of bid in accordance with the Instructions to Bidders and the bid documents.
- B. This Section provides procedures for review and compliance with Public Contract Code section 3400 for the "or equal" clause allowing bidders to furnish any equal material, product, thing or service. Or equal items proposed by bidders are considered substitutions and are subject to approval of the Architect and School District. Burden of proof for "Or Equals" is the responsibility of the Contractor.
- C. The intent of this section is to insure that proposed substitutions exceed or equal the quality of the specified products and are furnished and installed in accordance with the Contract Documents.

1.2 RELATED SECTIONS

- A. Information for Bidders
- B. General and Supplementary Conditions
- C. Section 01 62 00 - Product Options
- D. Section 01 25 00- Contract Modification Procedures

1.3 SUBSTITUTIONS

- A. Substitution requests are to be submitted by Generals Contractors Only. Requests submitted by Subcontractors, Material Suppliers, Manufacturers and other interested parties, other than General Contractors, will not be considered. Submit requests on the attached **SUBSTITUTION REQUEST FORM (AFTER BID)** in section 1305. **Substitution requests will only be considered for**

COMPTON COMMUNITY COLLEGE DISTRICT

an “or equal” product specifically listed in the technical specifications for this project. No other substitutions will be considered. (ie if Carrier AC units are used on plans and specifications say “Carrier, Trane or York” – Trane or York would be considered as a substitution.)

- B. Comply with provisions of Articles for Substitutions in the Information for Bidders, General Conditions and any modifications to these documents provided in the Supplementary Conditions.
- C. Tabulate products by specification section number and title.
- D. Submit separate request for each substitution. Support each request with the information and documents below and any other requirements in the General Conditions Article 3.10.:
 - 1. Complete data substantiating compliance of proposed substitution with requirements stated in Contract Documents:
 - a. Product identification, including manufacturer's name and address.
 - b. Manufacturer's literature; identify:
 - i. Product description.
 - ii. Reference standards.
 - iii. Performance and test data.
 - iv. Fire resistance and fire ratings.
 - c. Samples, as applicable.
 - d. Name and address of similar projects on which product has been used, and date of each installation.
 - 2. Itemized comparison of the proposed substitution with product specified; list significant variations.
 - 3. Any effect the substitution may have on other trade contracts.
 - 4. List of changes required in other work or products.

COMPTON COMMUNITY COLLEGE DISTRICT

5. Accurate cost data comparing proposed substitution with product specified.
 - a. Amount of any change in cost.
 6. Designation of required license fees or royalties.
 7. Designation of availability of maintenance services, sources of replacement materials.
 8. Comparison of physical size and weight with product specified.
 9. Comparison of physical shape and available finishes.
- E. Substitutions will not be considered for acceptance when:
1. They are indicated or implied on shop drawings or product data submittals and where not approved in compliance with the General Conditions and this section.
 2. Substitution request procedures included in this Section, the Information for Bidders, and in the General and Supplementary Conditions are not complied with by the Contractor.
 3. The School District has determined that compatibility, standardization, technological sophistication, service and uniformity are necessary with regard to technological and certain safety items across the Schools in the District.
 4. The request for substitution, as determined by the District, should have been submitted at the time of bid in accordance with the Instructions to Bidders and the bid documents.
- F. Substitute products shall not be installed in the construction without written acceptance of the Architect and School District.
- G. Architect and School District will determine acceptability of proposed substitutions prior to awarding of the Contract. Substitutions may be approved after award of the Contract only where the following conditions exist and only at the School District's sole discretion:

COMPTON COMMUNITY COLLEGE DISTRICT

1. Specified item has been discontinued or is not available to meet project schedule.
2. The School District requested the Substitution.
3. Substitution will reduce the Contract Amount and Contract Time (Credit Back to the District) without reducing quality.

1.4 CONTRACTOR'S SUBSTITUTION CERTIFICATION

- A. In making formal request for substitution contractor certifies that:
1. He has investigated proposed product and has determined that it is equal to or superior in all respects to that specified.
 2. He will provide same warranties or bonds for substitution as for product specified.
 3. He will coordinate installation of accepted substitution into the work, and will make such changes as may be required for the work to be complete in all respects including modification of the work of other trades.
 4. He waives claims for additional costs caused by substitution which may subsequently become apparent.
 5. Substituted material is similar in physical appearance, size and weight and will install with the same opening and attachments.
 6. Substituted material has the same or better fire rating and fire resistive qualities, including flame spread, smoke developed, UL tested and listing.
 7. Meets all requirement set forth in the General Conditions Article 3.10.

1.5 ARCHITECT'S/ENGINEER'S DUTIES

- A. Review contractor's request for substitutions with reasonable promptness.
- B. Consult with District and provide notification to contractor, in writing, of decision to accept or reject requested substitution.

COMPTON COMMUNITY COLLEGE DISTRICT

1.6 AVAILABILITY OF SPECIFIED ITEMS

- A. Verify prior to bidding that all specified and substituted items will be available in time for installation during orderly and timely progress of the work.
- B. In the event specified items will not be available, notify the Architect prior to receipt of bids.
- C. Cost of delays because of non-availability of specified items, when such delays could have been avoided by the Contractor, will be back-charged as necessary and shall not be borne by the Architect or School District.

1.7 SUBSTITUTION WARRANTY REQUIREMENTS

- A. Submit with the substitution request an executed Substitution Warranty. The Form is provided at the end of this Section. This form shall apply to substitutions submitted for acceptance prior to bid, prior to award of contract and for substitutions required after contract has been executed.
- B. The Contractor is to warrant, in writing on company letterhead, that the substituted items are to perform as specified, and assume complete responsibility for the same. This includes responsibility and costs required for modifications to building, other materials, or equipment, and any additional coordination with work of other trades. The Contractor if required or requested by the Architect or School District shall pay for testing, of Substitution proposed.

PART 2 – PRODUCTS - (Not Applicable)

PART 3 – EXECUTION - (Not Applicable)

END OF SECTION

COMPTON COMMUNITY COLLEGE DISTRICT

CLEANING

PART 1 - GENERAL

1.1 SUMMARY

- A. Section includes: Cleaning throughout the construction period and final project cleaning prior to the acceptance tour.
- B. Related Work Described Elsewhere: In addition to standards specified herein, comply with requirements for cleaning as described in other sections of these Specifications.

1.2 QUALITY ASSURANCE

- A. Inspection: Conduct daily inspection, and more often if necessary, to verify that requirements of cleanliness are being met.
- B. Codes and Standards: In addition to the requirements specified herein, comply with pertinent requirements of authorities having jurisdiction.

PART 2 - PRODUCTS

2.1 CLEANING MATERIALS AND EQUIPMENT

- A. Provide required personnel, equipment, and materials needed to maintain the specified standard of cleanliness.

2.2 COMPATIBILITY

- A. Use cleaning materials and equipment that are compatible with the surfaces being cleaned, as recommended by the manufacturer of the material to be cleaned.

PART 3 - EXECUTION

3.1 PROGRESS CLEANING

- A. General:
 - 1. Retain stored items in an orderly arrangement allowing maximum access, not impeding drainage or traffic, and providing the required protection of materials.
 - 2. Do not allow the accumulation of scrap, debris, waste materials, and other items not required for construction of this work. Debris

COMPTON COMMUNITY COLLEGE DISTRICT

shall be removed from the site and disposed of in a lawful manner. Disposal receipts of dump tickets shall be furnished to Architect/Engineer upon request.

3. At least twice each month, and more often if necessary, remove scrap, debris, and waste material from the job site.
4. Provide adequate storage for items awaiting removal from the job site, observing requirements for fire protection and protection of the ecology.

B. Site:

1. Daily, and more often if necessary, inspect the site and pick up all scrap, debris, and waste material. Remove items to the place designated for their storage. Combustible waste shall be removed from the site. Flammable waste shall be kept in sealed metal containers until removed from the site.
2. Weekly, and more often if necessary, inspect arrangements of materials stored on the site; restack, tidy, or otherwise service arrangements to meet the requirements specified above.
3. Maintain the site in a neat and orderly condition.

C. Structures:

1. Daily, and more often if necessary, inspect the structures and pick up scrap, debris, and waste material. Remove items to the place designated for their storage.
2. Daily, and more often if necessary, sweep interior spaces clean.
 - a. "Clean", for the purpose of this subparagraph, shall be interpreted as meaning free from dust and other materials capable of being removed by use of reasonable effort and a handheld broom, i.e., "broom-clean".
3. As required preparatory to installation of succeeding materials, clean the structures of pertinent portions thereof to the degree of cleanliness recommended by the manufacturer of the succeeding material, using equipment and materials required to achieve the required cleanliness.
4. Following the installation of finish floor materials, clean the finish floor daily, and more often if necessary, and while work is being performed in the space in which finish materials have been installed.

COMPTON COMMUNITY COLLEGE DISTRICT

- a. "Clean", for the purpose of this subparagraph, shall be interpreted as meaning free from foreign material that, in the opinion of the Architect, may be injurious to the finish floor material, i.e., "vacuum- clean".

3.2 FINAL CLEANING

- A. Definition: Except as otherwise specifically provided, "clean", for the purpose of the Article, shall be interpreted as meaning the level of cleanliness generally provided by skilled cleaners using commercial quality building maintenance equipment and materials, i.e., "scrub and polish clean".
- B. General: Prior to completion of the work, remove from the job site all tools, surplus materials, equipment, scrap, debris, and waste and conduct final progress cleaning as described above.
- C. Site: Unless otherwise specifically directed by the Architect, water and broom clean paved areas on the site and public paved areas directly adjacent to the site. Remove resultant debris.

D. Structures:

1. Exterior: In areas affected by the work under this contract, visually inspect exterior surfaces and remove traces of soil, waste material, smudges, and other foreign matter. Remove traces of splashed material from adjacent surfaces. If necessary to achieve a uniform degree of exterior cleanliness, hose down the exterior of the structure.

In the event of stubborn stains not removable with water, the Architect may require light sandblasting or other cleaning at no additional cost to the Owner.

2. Interior: In areas affected by the work under this contract, visually inspect interior surfaces and remove traces of soil, waste material, smudges, and other foreign matter. Remove traces of splashed materials from adjacent surfaces. Remove paint drippings, spots, stains, and dirt from finished surfaces. Use only the cleaning materials and equipment instructed by the manufacturer of the surface material.
3. Glass: Clean glass inside and outside.
4. Polished surfaces: On surfaces requiring the routine application or buffed polish, apply the polish recommended by the manufacturer of the material being polished. Glossy surfaces shall be cleaned and shined as intended by the manufacturer.

COMPTON COMMUNITY COLLEGE DISTRICT

- E. Timing: Schedule final cleaning as accepted by the Architect to enable the Owner to accept a completely clean project.

3.3 CLEANING DURING OWNER'S OCCUPANCY

- A. Should the Owner occupy the work or any portion thereof prior to its completion by the Contractor and acceptance by the Owner, responsibilities for interim and final cleaning of the occupied spaces shall be determined by the Architect in accordance with the General Conditions of the Contract.

END OF SECTION

COMPTON COMMUNITY COLLEGE DISTRICT

FIELD ENGINEERING

PART 1 - GENERAL

1.1 SUMMARY

- A. General: This Section specifies administrative and procedural requirements for field engineering services, including, but not necessarily limited to, the following:
 - 1. Land survey Work.
 - 2. Civil engineering services.
 - 3. Structural engineering services.

1.2 RELATED SECTIONS

- A. Section 01 33 00 - Submittals
- B. Section 31 00 00 - Earthwork

1.3 SUBMITTALS

- A. Certificates: Submit a certificate signed by the Land Surveyor or Professional Engineer certifying that the location and elevation of improvements comply with the Contract Documents. These Surveys and updated "As-Builts" will be submitted with every pay application for review and acceptance by the Engineer and Inspector of Record.
- B. Submittal Copies of final as built property survey.
- C. Project Record Documents: Submit a record of Work performed and record survey data as required under provisions of Sections "Submittals", "Project Closeout", and Specification Number 01 78 20 – "Project Record Documents".

1.4 QUALITY ASSURANCE

- A. Surveyor: Engage a Registered Land Surveyor registered in the State where the project is located, to perform land surveying services required.

COMPTON COMMUNITY COLLEGE DISTRICT

- B. Engineer: Engage a Professional Engineer of the discipline required, registered in the state of California, in which the Project is located, to perform required engineering services.

PART 2 – PRODUCTS - (Not Applicable)

PART 3 - EXECUTION

3.1 EXAMINATION

- A. The District will identify existing control points and property line corner stakes.
- B. Verify layout information shown on the Drawings, in relation to the property survey and existing benchmarks before preceding to layout the Work. Locate and protect existing benchmarks and control points. Preserve permanent reference points (if any) during construction.
 - 1. Do not change or relocate benchmarks or control points without prior written approval. Promptly report lost or destroyed reference points, or requirements to relocate reference points because of necessary changes in grades or locations.
 - 2. Promptly replace lost or destroyed project control points. Base replacements on the original survey control points.
- C. Establish and maintain a minimum of two permanent benchmarks on the site, referenced to data established by survey control points.
 - 1. Record benchmark locations, with horizontal and vertical data, on Project Record Documents.
- D. Existing utilities and equipment: The existence and location of underground and other utilities and construction indicated as existing are not guaranteed. Before beginning site work, investigate and verify the existence and location of underground utilities and other construction. Contact underground service alert at 1(800) 422-4133 before start of construction.
 - 1. Prior to construction, verify the location and invert elevation at points of connection of sanitary sewer, storm sewer and water service piping.

COMPTON COMMUNITY COLLEGE DISTRICT

3.2 PERFORMANCE

- A. Working from lines and levels established by the survey, establish benchmarks and markers to set lines and levels at each story of construction and elsewhere as needed to properly locate each element of the Project. Calculate and measure required dimensions within indicated or recognized tolerances. Do not scale Drawings to determine dimensions.
 - 1. Advise entities engaged in construction activities, of marked lines and levels provided for their use.
 - 2. As construction proceeds, check every major element for line, level and plumb.
- B. Surveyor's Log: Maintain a surveyor's log of control and other survey Work. Make this log available for reference.
 - 1. Record deviations from required lines and levels, and advise the Architect when deviations that exceed indicated or recognized tolerances are detected. On Project Record Drawings, record deviations that are accepted and not corrected.
 - 2. On completion of foundation walls, major site improvements, and other Work requiring field engineering services, prepare a certified survey showing dimensions, locations, angles and elevations of construction and site work.
- C. Site Improvements: Locate and lay out site improvements, including pavements, stakes for grading, fill and topsoil placement, utility slopes and invert elevations by instrumentation and similar appropriate means.
- D. Building Lines and Levels: Locate and lay out batter boards for structures, building foundations, column grids and locations, floor levels and control lines and levels required for mechanical and electrical Work.
- E. Existing Utilities: Furnish information necessary to adjust, move or relocate existing structures, utility poles, lines, services or other appurtenances located in, or affected by construction. Coordinate with local authorities having jurisdiction.

COMPTON COMMUNITY COLLEGE DISTRICT

- F. Final Property Survey: Before Substantial Completion, prepare a final property survey showing significant features (real property) for the Project. Include on the survey a certification, signed by the Surveyor, to the effect that principal metes, bounds, lines and levels of the Project are accurately positioned as shown on the survey.

END OF SECTION

COMPTON COMMUNITY COLLEGE DISTRICT

CUTTING AND PATCHING

PART 1 - GENERAL

1.1 SUMMARY

- A. This Section specifies administrative and procedural requirements for cutting and patching, and interface of new work into existing construction and with work being performed under other contracts provided by the School District.
- B. Refer to other Sections for specific requirements and limitations applicable to cutting and patching individual parts of the work.
 - 1. Requirements of this Section apply to Sections in Divisions 2 through 16.

1.2 RELATED SECTIONS

- A. Section 01 01 00 - Summary of work (Scope of Work).
- B. Section 03 30 00 - Cast-in-place Concrete
- C. Division 2 through 16 Sections

1.3 SUBMITTALS

- A. Cutting and Patching Proposal: Approval of procedures for cutting and patching is required before proceeding, submit a proposal describing procedures well in advance of the time cutting and patching will be performed and request approval to proceed. Include the following information, as applicable, in the proposal:
 - 1. Describe the extent of cutting and patching required and how it is to be performed.
 - 2. Indicate dates when cutting and patching is to be performed.
 - 3. List utilities that will be disturbed or affected, including those that will be relocated and those that will be temporarily out-of-service. Indicate how long service will be disrupted.
 - 4. Refer to Structural Drawing for locations where cutting and patching involves addition of reinforcement to structural

COMPTON COMMUNITY COLLEGE DISTRICT

elements. Do not damage or weaken existing structural elements.

5. Approval by the Architect/Engineer to proceed with cutting and patching does not waive the Architect's right to later require complete removal and replacement of a part of the work found to be unsatisfactory.

1.4 QUALITY ASSURANCE

- A. Visual Requirements: Do not cut and patch construction exposed on the exterior or in occupied spaces, in a manner that would, in the Architect's/Engineer's opinion, reduce the building's aesthetic qualities, or result in visual evidence of cutting and patching. Remove and replace work cut and patched in a visually unsatisfactory manner.

PART 2 - PRODUCTS

2.1 MATERIALS

- A. Use materials that are identical to existing materials. If identical materials are not available or cannot be used where exposed surfaces are involved, use materials that match existing adjacent surfaces to the fullest extent possible with regard to visual effect. Use materials whose installed performance will equal or surpass that of existing materials.

PART 3 - EXECUTION

3.1 INSPECTION

- A. Before cutting existing surfaces, examine surfaces to be cut and patched and conditions under which cutting and patching is to be performed. Take corrective action before proceeding, if unsafe or unsatisfactory conditions are encountered.

3.2 PREPARATION

- A. Temporary Support: Provide temporary support of work to be cut.
- B. Protection: Protect existing construction during cutting and patching to prevent damage. Provide protection from adverse

COMPTON COMMUNITY COLLEGE DISTRICT

weather conditions for portions of the Project that might be exposed during cutting and patching operations.

- C. Avoid interference with use of adjoining areas or interruption of free passage to adjoining areas.
- D. Take all precautions necessary to avoid cutting existing pipe, electrical wire and conduit or ductwork serving the building.

3.3 PERFORMANCE

- A. General: Employ skilled workmen to perform cutting and patching. Proceed with cutting and patching at the earliest feasible time and complete without delay.
 - 1. Cut existing construction to provide for installation of other components or performance of other construction activities and the subsequent fitting and patching required to restore surfaces to their original condition.
 - 2. Where patching occurs in a smooth painted surface, extend final paint coat over entire surface containing the patch, after the patched area has received primer and second coat.
 - 3. Cut, patch, point-up and repair plaster to accommodate other construction and to repair cracks, dents and imperfections.
 - 4. Cut, patch, restore and repair all gypsum board wall and ceiling surfaces where new pipes, equipment, clocks, switches, conduit, ducts and any new construction items that would damage or cut existing surfaces.
 - 5. Cut patch and repair existing concrete and asphalt paving where new utility lines are installed across existing paving and under existing concrete floor slabs. Site verify extent of cutting and patching required. All existing site improvements may not be indicated on the site plan and floor plans.
 - 6. Cut existing walls, floors, ceilings and roofs or other parts of building structure to accommodate new ducts, conduits and piping, patch and repair existing.
 - 7. Patch existing floors, walls, roofs and ceilings where existing ducts, conduit, equipment, water, gas, sewer, windows, doors etc. that are not used or removed and are not to be

COMPTON COMMUNITY COLLEGE DISTRICT

replaced. This is considered part of required general patching and is part of the contract and will not be shown in detail on the Contract drawings. Field verify with existing site and building construction for patching required.

3.4 CLEANING

- A. Thoroughly clean areas and spaces where cutting and patching is performed or used as access. Remove completely paint, mortar, oils, putty and items of similar nature. Thoroughly clean piping, conduit and similar features before painting or other finishing is applied. Restore damaged areas to their original condition.

END OF SECTION

COMPTON COMMUNITY COLLEGE DISTRICT

WARRANTIES, GUARANTIES AND BONDS

PART 1 - GENERAL

1.1 WORK INCLUDED

- A. This Section specifies general requirements for written warranties, guaranties and bonds required by the Contract Documents.
- B. Submittal to, and approval by, the District of the warranties, guaranties and bonds are prerequisites to final payment under the Contract.

1.2 RELATED WORK

- A. Related work specified elsewhere:
 - 1. General Conditions –Section 00 72 00 Article 13
 - 2. Contract Close-out - Section 01 77 00

1.3 TIME PERIOD

- A. Deliver manufacturers' warranties, guaranties and bonds required by Contract Documents, with District named as beneficiary. For equipment and machinery, or components thereof, bearing a manufacturer's warranty or guaranty that extends for a longer time period than the Contractor's warranty and guaranty, deliver manufacturer's warranties or guaranties in same manner.

1.4 FORM

- A. Written warranties and guaranties, excepting manufacturer's standard printed warranties and guaranties shall be submitted on the Contractor's, Subcontractors, material suppliers', or manufacturers' own letterhead, addressed to District. Warranties and guaranties shall be submitted in duplicate, and in the form shown on the following page, signed by all pertinent parties and by Contractor in every case, with modifications as approved by District to suit the conditions pertaining to the warranty or guaranty.

COMPTON COMMUNITY COLLEGE DISTRICT

1.5 SUBMITTAL

- A. The Contractor shall collect and assemble written warranties and guaranties from all subs, material suppliers and manufacturers into a bound booklet form, and deliver the bound books to Architect/Engineer for delivery to the District's attorney for final review and approval.
- B. Submit required warranty/guaranty on letterhead of Contractor responsible for each type of Work in accordance with attached sample form.
- C. The contractor will ensure that the Manufacturers will be scheduled in a timely manner to ensure that the start of the warranty period is well documented.

END OF SECTION

COMPTON COMMUNITY COLLEGE DISTRICT

CLOSEOUT PROCEDURES

PART 1 - GENERAL

1.1 SUMMARY

- A. Comply with requirements stated in Conditions of the Contract and in Specifications for administrative procedures in closing out the work.
- B. Related Requirements in Other Parts of the Project Manual:
 - 1. Fiscal provisions, legal submittals and additional administrative requirements: Conditions of the Contract.
- C. Comply with requirements set forth in General Conditions Article 9.

1.2 SUBSTANTIAL COMPLETION

- A. When Contractor considers the work is substantially complete as defined in the General Conditions, he shall submit to Architect/Engineer:
 - 1. A written notice that the work, or designated portion thereof, is substantially complete.
 - 2. A list of items to be completed or corrected.
 - 3. Complete start-up testing of systems, and instruction of the Owner's operating and maintenance personnel. Discontinue or change over and remove temporary facilities from the site, along with construction tools, mock-ups, and similar elements.
- B. When Architect/Engineer concurs that the work is substantially complete, he will:
 - 1. Prepare a letter of Substantial Completion accompanied by Contractor's list of items to be completed or corrected, as verified and amended by the Architect.
 - 2. Submit the Certificate to Owner and Contractor for their written acceptance of the responsibilities assigned to them.

1.3 FINAL INSPECTION

COMPTON COMMUNITY COLLEGE DISTRICT

- A. When Contractor considers the work is complete, he shall submit written certification that:
 - 1. Contract Documents have been reviewed.
 - 2. Work has been inspected for compliance with Contract Documents.
 - 3. Work has been completed in accordance with Contract Documents.
 - 4. Equipment and systems have been tested in the presence of the Owner's representative and are operational.
 - 5. Work is completed and ready for final inspection.
 - 6. The Architect's/Engineer's final inspection list of items to be completed or corrected, has been completed or otherwise resolved for acceptance, and the list has been endorsed and dated by the Architect/Engineer.
 - 7. Submit consent of surety to final payment.
 - 8. Submit a final liquidated damages settlement statement.
 - 9. Submit evidence of final, continuing insurance coverage complying with insurance requirements.
- B. Architect/Engineer will make an inspection to verify the status of completion with reasonable promptness after receipt of such certification.
- C. When the Architect/Engineer finds that the work is acceptable under the Contract Documents, he shall request the Contractor to make closeout submittals.

1.4 RECORD DOCUMENT SUBMITTALS

- A. General: Do not use record documents for construction purposes; protect from deterioration and loss in a secure, fire-resistive location; provide access to record documents for the Architect's reference during normal working hours.
- B. Record Drawings: Maintain a clean, undamaged set of blue or black line white-prints of Contract Drawings and Shop Drawings.

COMPTON COMMUNITY COLLEGE DISTRICT

Mark the set to show the actual installation where the installation varies substantially from the Work as originally shown. Mark whichever drawing is most capable of showing conditions fully and accurately; where Shop Drawings are used, record a cross-reference at the corresponding location on the Contract Drawings. Give particular attention to concealed elements that would be difficult to measure and record at a later date.

1. Mark record sets with red erasable pencil; use other colors to distinguish between variations in separate categories of the Work.
 2. Mark new information that is important to the Owner, but was not shown on Contract Drawings or Shop Drawings.
 3. Note related Change Order numbers where applicable.
 4. Organize record drawing sheets into manageable sets, bind with durable paper cover sheets, and print suitable titles, dates and other identification on the cover of each set per Specification 01 78 20 Project Record Documents.
- C. Record Specifications: Maintain one complete copy of the Project Manual, including addenda, and one copy of other written construction documents such as Change Orders and modifications issued in printed form during construction. Mark these documents to show substantial variations in actual Work performed in comparison with the text of the Specifications and modifications. Give particular attention to substitutions, selection of options and similar information on elements that are concealed or cannot otherwise be readily discerned later by direct observation. Note related record drawing information and Product Data.

1.5 CLOSEOUT SUBMITTALS

- A. Submit the following, where applicable, in accordance with the General Conditions and Specifications:
1. Project record documents.
 2. Operation and maintenance data.
 3. Warranties, guarantees and bonds.
 4. Keys and keying schedule.

COMPTON COMMUNITY COLLEGE DISTRICT

5. Spare parts and extra stock.
 6. Other items as required by the Specifications.
- B. Deliver Certificate of Compliance and Test Report as follows:
1. Sterilization of water systems.
 2. Testing of sewer systems.
 3. Testing of hot and cold water systems.
 4. Testing of gas system.
 5. Testing of lighting, power and alarm systems.
 6. Testing of HVAC equipment and exhaust fans.

1.6 FINAL APPLICATION FOR PAYMENT

- A. Contractor shall submit the final Application for Payment in accordance with procedures and requirements stated in the Conditions of the Contract.

PART 2 – PRODUCTS - (Not Applicable)

PART 3 - EXECUTION

3.1 CLOSEOUT PROCEDURES

- A. Operating and Maintenance Instructions: Arrange for each installer of equipment that requires regular maintenance to meet with the Owner's personnel to provide instruction in proper operation and maintenance. If installers are not experienced in procedures, provide instruction by manufacturer's representatives. Include a detailed review of the following items:
1. Maintenance manuals.
 2. Record documents.
 3. Spare parts and materials.
 4. Tools.

COMPTON COMMUNITY COLLEGE DISTRICT

5. Identification systems.
 6. Control sequences.
 7. Hazards.
 8. Cleaning.
 9. Warranties and bonds.
 10. Maintenance agreements and similar continuing commitments.
- B. As part of instruction for operating equipment, demonstrate the following procedures:
1. Start-up.
 2. Shutdown.
 3. Emergency operations.
 4. Noise and vibration adjustments.
 5. Safety procedures.
 6. Economy and efficiency adjustments.
 7. Effective energy utilization.

3.2 FINAL CLEANING

- A. General: General cleaning during construction is required by the General Conditions and included in Section "Temporary Facilities".
- B. Cleaning: Employ experienced workers or professional cleaners for final cleaning. Clean each surface or unit to the condition expected in a normal, commercial building cleaning and maintenance program. Comply with manufacturer's instructions.
1. Complete the following cleaning operations before requesting inspection for Final Completion.
 - a. Remove labels that are not permanent labels.

COMPTON COMMUNITY COLLEGE DISTRICT

- b. Clean transparent materials, including mirrors and glass in doors and windows. Remove glazing compound and other substances that are noticeable vision-obscuring materials. Replace chipped or broken glass and other damaged transparent materials.
 - c. Clean exposed exterior and interior hard-surfaced finishes to a dust-free condition, free of stains, films and similar foreign substances. Restore reflective surfaces to their original reflective condition. Leave concrete floors broom clean. Vacuum carpeted surfaces.
 - d. Wipe surfaces of mechanical and electrical equipment. Remove excess lubrication and other substances. Clean plumbing fixtures to a sanitary condition. Clean light fixtures and lamps.
 - e. Clean the site, including landscape development areas, of rubbish, litter and other foreign substances. Sweep paved areas broom clean; remove stains, spills and other foreign deposits. Rake grounds that are neither paved nor planted, to a smooth even-textured surface.
- C. Pest Control: Engage an experienced exterminator to make a final inspection, and rid the Project of rodents, insects and other pests.
- D. Removal of Protection: Remove temporary protection and facilities installed for protection of the Work during construction.
- E. Compliance: Comply with regulations of authorities having jurisdiction and safety standards for cleaning. Do not burn waste materials. Do not bury debris or excess materials on the Owner's property. Do not discharge volatile, harmful or dangerous materials into drainage systems. Remove waste materials from the site and dispose of in a lawful manner.
- 1. Where extra materials of value remaining after completion of associated Work have become the Owner's property, arrange for disposition of these materials as directed.

END OF SECTION

COMPTON COMMUNITY COLLEGE DISTRICT

PROJECT RECORD DOCUMENTS

PART 1 - GENERAL

1.1 SECTION INCLUDES

- A. Maintain at the site for the School District, one record copy of:
 - 1. Drawings
 - 2. Specifications
 - 3. Addenda
 - 4. Change Orders and other Modifications to the Contract
 - 5. Architect/Engineer written instructions
 - 6. Approved Shop Drawings, Product Data and Samples.
 - 7. Field Test Records
 - 8. Construction Photographs.

1.2 RELATED SECTIONS

- A. Section 00 72 00 - General Conditions
- B. Section 01 31 00 - Project Coordination
- C. Section 01 33 00 - Submittals
- D. Section 01 30 50-31 - Contract Closeout
- E. Section 01 72 20 – Field Engineering

1.3 MAINTENANCE OF DOCUMENTS AND SAMPLES

- A. Store documents and samples in Contractor's field office apart from documents used for construction.
 - 1. Provide files and racks for storage of documents.
 - 2. Provide locked cabinet or secure storage space for storage of samples.

COMPTON COMMUNITY COLLEGE DISTRICT

- B. File documents and samples in accordance with CSI/CSC Master Format.
- C. Maintain documents in a clean, dry legible condition and in good order. Do not use record documents for construction purposes.
- D. Make documents and samples available at all times for inspection by School District.

1.4 MARKING DEVICES

- A. Provide felt-tip marking pens for recording information in the color code designated by Owner.

1.5 RECORDING

- A. Label each document "PROJECT RECORD" in neat, large printed letters.
- B. Record information concurrently with construction progress. Do not conceal any work until required information is recorded.
- C. Drawings: Legibly mark to record actual construction:
 - 1. Depth of various elements of foundation in relation to finish first floor datum.
 - 2. Horizontal and vertical locations of underground utilities and appurtenances, referenced to permanent surface improvements.
 - 3. Location of internal utilities and appurtenances concealed in the construction, referenced to visible and accessible features of the structure.
 - 4. Field changes of dimension and detail.
 - 5. Changes made by Addenda, Supplemental Instruction Construction Change Directive or by Change Order.
 - 6. Details not on original contract drawings.
 - 7. Revisions to electrical circuitry and locations of electrical Devices and equipment

COMPTON COMMUNITY COLLEGE DISTRICT

8. Identify each record drawing with the written designation of "RECORD DRAWING" in a prominent location.
- D. Specifications and Contract Document Modifications: Legibly mark each Section to record:
1. Manufacturer, trade name, catalog number, and Supplier of each Product and item of equipment actually installed.
 2. Supplier and Installer's name and contact information.
 3. Changes made by Addenda, Supplemental Instructions, and Construction Change Directive or by Change Order.
- E. Record Digital Data Files: Immediately before inspection for Substantial Completion, review marked-up record prints with Architect/Engineer, Construction Manager and Project Inspector. When authorized, prepare a full set of corrected digital data files of the Contract Drawings as follows:
1. Format: Same digital data software program, version, and operating system as the original Contract Drawings.
 2. Format: Annotated PDF electronic file with comment function enabled.
 3. Incorporate changes and additional information previously marked on record prints. Delete, redraw and add new details and notations where applicable.
 4. Refer instances of uncertainty to Architect/Engineer (through Construction Manager) for resolution.
 5. Architect/Engineer will furnish Contractor one set of digital files of the Contract Drawings, complete on same set, with all Addenda, clarifying Request for Information, Instruction Bulletins, Construction Change Documents, or any other changes, for use in recording information. Digital files shall be in AutoCAD (latest version) and PDF format.
 - a. Refer to section 01 33 00 "Submittal Procedures" for requirements related to use of architect's/engineer's digital data files.
 - b. Architect/Engineer will provide data file layer information. Record mark-ups in separate layers.

COMPTON COMMUNITY COLLEGE DISTRICT

- F. Record Drawings Labeling: Provide Hard copy and Digital copy (in PDF format) as follows:
1. Provide a Flash Drive for all Digital Record Drawing submittals with a letter of transmittal describing all contents and date of contents on the Flash Drive.
 2. Provide a folder in the Digital submittal labeled in capital letters naming the project i.e. CCC-051 PUBLIC SAFETY BUILDING.
 3. Provide sub-folders labeled in capital letters with the category and date of the as-builts i.e. CCC-051 PUBLIC SAFETY BUILDING – AS-BUILTS (CONTRACTORS NAME).
 4. Provide separate files in sub-folders labeled with drawing number and description i.e. FA0.0 Title.
 5. Submit documents to Architect/Engineer (through the Construction Manager) with claim for final Application for Payment.
 6. Final 5% retention will be held until as-builts are complete.

1.6 SUBMITTALS

- A. At the completion of the Project, deliver Record Documents to the Compton Community College District (through the Construction Manager). Architect/Engineer shall review documents for compliance with requirements as described above.
- B. Accompany submittal with transmittal letter in duplicate, containing:
1. Date
 2. Project title and number
 3. Contractor's name and address
 4. Title and number of each Record Document
 5. Signature of Contractor or his authorized representative
- C. Prior to the date of Substantial Completion the Contractor is to meet with the architect/engineer to determine which Samples

COMPTON COMMUNITY COLLEGE DISTRICT

maintained during construction are to be transferred to the School District. Dispose of all samples not be saved.

PART 2 – PRODUCTS - (Not Applicable)

PART 3 – EXECUTION - (Not Applicable)

END OF SECTION

COMPTON COMMUNITY COLLEGE DISTRICT

OPERATING AND MAINTENANCE DATA

PART 1 - GENERAL

1.1 SUMMARY

- A. This Section specifies administrative and procedural requirements for operating and maintenance manuals including the following:
 - 1. Preparation and submittal of operating and maintenance manuals for building operating systems and/or equipment.
 - 2. Instruction of the School District's operating personnel in operation and maintenance of building systems and equipment.
- B. Special operating and maintenance data requirements for specific pieces of equipment or building operating systems are included in the appropriate Sections of Divisions 2 through 16.

1.2 QUALITY ASSURANCE

- A. Maintenance Manual Preparation: In preparation of Maintenance Manuals, use personnel thoroughly trained and experienced in operation and maintenance of the equipment or system involved.
 - 1. Where written instructions are required, use personnel skilled in technical writing to the extent necessary for communication of essential data.
 - 2. Where Drawings or diagrams are required, use draftsmen capable of preparing Drawings clearly in an understandable format.
- B. Instructions for the School District's Personnel: For instruction of the School District's operating and maintenance personnel, use experienced instructors thoroughly trained and experienced in the operation and maintenance of the building equipment or system involved.

1.3 SUBMITTALS

- A. Submittal Schedule: Comply with the following schedule for submittal of operating and maintenance manuals.

COMPTON COMMUNITY COLLEGE DISTRICT

1. Before Substantial Completion, when each installation that requires submittal of operating and maintenance manuals is nominally complete, submit two draft copies of each manual to the Architect/Engineer for review. Include a complete index or table of contents of each manual.
- B. Form of Submittal: Prepare operating and maintenance manuals in the form of an instructional manual for use by the Owner's operating personnel. Organize into suitable sets of manageable size. Where possible, assemble instructions for similar equipment into a single binder.
1. Binders: For each manual, provide heavy-duty, commercial quality, durable 3-ring vinyl covered loose-leaf binders, in thickness necessary to accommodate contents, sized to receive 8-1/2" by 11" paper. Provide a clear plastic sleeve on the spine, to hold labels describing the contents. Provide pockets in the covers to receive folded sheets.
 - a. Where two or more binders are necessary to accommodate data, correlate data in each binder into related groupings in accordance with the Project Manual table of contents. Cross-reference other binders where necessary to provide essential information for proper operation or maintenance of the piece of equipment or system.
 - b. Identify each binder on the front and spine, with the typed or printed title "OPERATION AND MAINTENANCE MANUAL", Project title or name, and subject matter covered. Indicate the volume number for multiple volume sets of manuals.
 2. Protective Plastic Jackets: Provide protective transparent plastic jackets designed to enclose diagnostic software for computerized electronic equipment.
 3. Text Material: Where written material is required as part of the manual use the manufacturer's standard printed material, or if it is not available, specially prepared data, neatly typewritten, on 8-1/2" by 11", 20 pound white bond paper.
 4. Drawings: Where drawings or diagrams are required as part of the manual, provide reinforced punched binder tabs on the drawings and bind in with the text.

COMPTON COMMUNITY COLLEGE DISTRICT

- a. Where oversized drawings are necessary, fold the drawings to the same size as the text pages and use as a fold-out.
- b. If drawings are too large to be used practically as a fold-out, place the drawing, neatly folded, in the front or rear pocket of the binder. Insert a typewritten page indicating the drawing title, description of contents and drawing location at the appropriate location in the manual.

1.04 MANUAL CONTENT

- A. In each manual include information specified in the individual Specification Section, and the following information for each major component of building equipment and its controls:
 1. General system or equipment description.
 2. Design factors and assumptions.
 3. Copies of applicable Shop Drawings and Product Data.
 4. System or equipment identification, including:
 - a. Name of manufacturer.
 - b. Model number.
 - c. Serial number of each component.
 5. Operating instructions.
 6. Emergency instructions.
 7. Wiring diagrams.
 8. Inspection and test procedures.
 9. Maintenance procedures and schedules.
 10. Precautions against improper use and maintenance.
 11. Copies of warranties.
 12. Repair instructions including spare parts listing.

COMPTON COMMUNITY COLLEGE DISTRICT

13. Sources of required maintenance materials and related services.
 14. Manual Index.
- B. Organize each manual into separate Sections for each piece of related equipment. As a minimum each manual shall contain a title page, a table of contents, copies of Product Data, supplemented by drawings and written text, and copies of each warranty, bond and service Contract issued.
1. Title Page: Provide a title page in a transparent plastic envelope as the first sheet of each manual. Provide the following information:
 - a. Subject matter covered by the manual.
 - b. Name and address of the Project.
 - c. Date of submittal.
 - d. Name, address, and telephone number of the Contractor.
 - e. Name and address of the Architect;
 - f. Cross reference to related systems in other operating and maintenance manuals.
 2. Table of Contents: After the Title Page, include a typewritten table of contents for each volume.
 3. General information: Provide a general information Section immediately following the Table of Contents, listing each product included in the manual, identified by product name. Under each product, list the name, address, and telephone number of the Subcontractor or installer, and the maintenance contractor. Clearly delineate the extent of responsibility of each of these entities. In addition, list a local source for replacement parts and equipment.
 4. Product Data: Where manufacturer's standard printed data is included in the manuals, include only sheets that are pertinent to the part or product installed. Mark each sheet to identify each part or product included in the installation.

COMPTON COMMUNITY COLLEGE DISTRICT

5. **Written Text:** Where manufacturer's standard printed data is not available, and information is necessary for proper operation and maintenance of equipment or systems, or it is necessary to provide additional information to supplement data included in the manual, prepare written text to provide necessary information. Organize the text in a consistent format under separate headings for different procedures. Where necessary, provide a logical sequence of instruction for each operating or maintenance procedure.
6. **Drawings:** Provide specially prepared drawings where necessary to supplement manufacturer's printed data to illustrate the relationship of component parts of equipment or systems, or to provide control or flow diagrams. Coordinate these drawings with information contained in Project Record Drawings to assure correct illustration of the completed installation.
7. **Warranties, Bonds and Service Contracts:** Provide a copy of each warranty, bond or service contract in the appropriate manual for the information of the Owner's operating personnel. Provide written data outlining procedures to be followed in the event of product failure. List circumstances and conditions that would affect validity of the warranty or bond.

1.05 MATERIAL AND FINISHES MAINTENANCE MANUAL

- A. **Architectural Products:** Provide manufacturer's data and instructions on care and maintenance of architectural products, including applied materials and finishes.
 1. **Care and Maintenance Instructions:** Provide information on care and maintenance, including manufacturer's recommendations for types of cleaning agents to be used and methods of cleaning. Provide information regarding cleaning agents and methods that could prove detrimental to the product. Include manufacturer's recommended schedule for cleaning and maintenance.
- B. **Moisture-Protection and Weather-Exposed Products:** Provide complete manufacturer's data with instructions on inspection, maintenance and repair of products exposed to the weather or designed for moisture-protection purposes.

COMPTON COMMUNITY COLLEGE DISTRICT

1.06 EQUIPMENT AND SYSTEMS MAINTENANCE MANUAL

- A. Manufacturer's Information: For each manufacturer of a component part or piece of equipment provide the following:
 - 1. Printed operating and maintenance instructions.
 - 2. Assembly drawings and diagrams required for maintenance.
 - 3. List of items recommended to be stocked as spare parts.

- B. Maintenance Procedures: Provide information detailing essential maintenance procedures, including the following:
 - 1. Routine operations.
 - 2. Trouble-shooting guide.
 - 3. Disassembly, repair and reassembly
 - 4. Alignment, adjusting and checking.

- C. Operating Procedures: Provide information on equipment and system operating procedures, including the following:
 - 1. Start-up procedures.
 - 2. Equipment or system break-in.
 - 3. Routine and normal operating instructions.
 - 4. Regulation and control procedures.
 - 5. Instructions on stopping.
 - 6. Shut-down and emergency instructions.
 - 7. Summer and winter operating instructions.
 - 8. Required sequences for electric or electronic systems.
 - 9. Special operating Instructions.

- D. Servicing Schedule: Provide a schedule of routine servicing and lubrication requirements, including a list of required lubricants for equipment with moving parts.

COMPTON COMMUNITY COLLEGE DISTRICT

- E. Controls: Provide a description of the sequence of operation and as-installed control diagrams by the control manufacturer for systems requiring controls.
- F. Coordination Drawings: Provide each Contractor's Coordination Drawings.
 - 1. Provide as-installed color-coded piping diagrams, where required for identification.
- G. Valve Tags: Provide charts of valve tag numbers, with the location and function of each valve.
- H. Circuit Directories: For electric and electronic systems, provide complete circuit directories of panel boards, including the following:
 - 1. Electric service.
 - 2. Controls.
 - 3. Communication.

1.07 INSTRUCTIONS TO SCHOOL DISTRICT PERSONNEL

- A. Prior to final inspection, instruct School District personnel in operation, adjustment, and maintenance of products, equipment and systems. Provide instruction at mutually agreed upon times.
 - 1. For equipment that requires seasonal operation, provide similar instruction during other seasons.
 - 2. Use operation and maintenance manuals for each piece of equipment or system as the basis of instruction. Review contents in detail to explain all aspects of operation and maintenance.

PART 2 – PRODUCTS - (Not Applicable)

PART 3 – EXECUTION - (Not Applicable)

END OF SECTION

COMPTON COMMUNITY COLLEGE DISTRICT

COMMISSIONING

PART 1 – GENERAL

1.1 SUMMARY

- A. Commissioning is a process for validating and documenting that the facility and its systems are constructed and perform in conformity with the Contract Documents.
- B. The objective of the commissioning process is to verify that the performance of the facility and its systems meet or exceed the design intent.
- C. Commissioning includes special facility start-up processes used to bring the facility to a fully operational state, free of deficiencies in an efficient and timely manner
- D. Training on related systems and equipment operation and maintenance shall be scheduled to commence only after start-up is complete and systems are verified to be 100% complete and functional.

1.2 DESCRIPTION

- A. The following applies to all Contract Documents
 - 1. Contractor Startup: Sub-phase of Contractor's work ending with Acceptance of Work, during which Contractor performs a pre-planned program of activities including starting, testing, inspecting, adjusting balancing, correcting deficiencies and other similar activities.
 - a. The Construction Manager, Architect/Engineer, Consultants and the DSA Inspector of Record (IOR) shall be present to observe, inspect and identify deficiencies in Building Systems Operations.
 - 2. The completion of startup means the entire Construction Project including startup and fine tuning has been performed to the requirements of the Contract Documents and is verified in writing by the Construction Manager, Architect/Engineer and the Consultants.

COMPTON COMMUNITY COLLEGE DISTRICT

3. Fine Tuning: Fine tuning is the responsibility of Contractors after District occupancy and ending one year after District occupancy. During this time the Contractor is responsible for optimizing systems and correcting deficiencies arising under normal operating conditions.
 - a. Includes a period after occupancy where systems are optimized under "live" operating conditions and any outstanding construction deficiencies are corrected.
 - b. Fine Tuning shall extend from date of District occupancy to one year after occupancy.

1.3 RELATED SECTIONS – (Not Applicable)

1.4 DEFINITION OF TERMS

- A. Contractor's Pre-Commissioning Checklists: Includes installation and start-up items as specified to be completed by the appropriate contractors prior to operational verification through the functional testing process.
- B. Installation Verification Process: Includes the on-site inspection and review of related system components for conformance to Contract Documents. The Contractor shall verify systems readiness for functional testing procedures prior to the start of functional testing. Deficiencies will be documented by the Inspector for future resolution.
- C. Functional Performance Testing Process: Includes the documented testing of system parameters, under actual or simulated operating conditions. Final performance commissioning of systems will begin only after the appropriate Contractor certifies that systems are 100% complete and ready for functional testing. The contractors will be required to schedule, coordinate and perform device tests, calibration and functional performance test procedures.
- D. Deficiencies and Resolutions List: Includes a list of noted deficiencies discovered as a result of the commissioning process. This list also includes the current disposition of issues, and the date of final resolution as confirmed by the Construction Manager and Inspector. Deficiencies are defined as those issues where products execution or performance does not satisfy the Project Contract Documents and/or the design intent.

1.5 COMMISSIONING SCHEDULE

COMPTON COMMUNITY COLLEGE DISTRICT

- A. Provide schedules for Contractor Start-Up work.
- B. Incorporate in overall construction schedule.
- C. Contractor's activities, which will be performed as specified under Fine Tuning, shall be completed within one year from date of occupancy by the District.

1.6 SUBMITTALS

- A. Submit Draft and Final Contractor Start-up Forms as described in this Section. Submit Draft Report for Construction Manager and Architect's review and comment prior to Final Submission.
- B. Prepare and submit one copy of report form to be used in preparation of system reports for:
 - 1. Each mechanical system as required
 - 2. Each Electrical & low voltage system as required.
- C. Each System Report shall be submitted including the following:
 - 1. Project Name
 - 2. Name of System
 - 3. Manufacturer's equipment start-up reports.
 - 4. Systems' testing, balancing, and adjusting reports.
 - 5. Equipment Report Forms shall include the following: Project name, name of equipment, starting and testing procedures to be performed and observations and test results to be recorded.

1.7 COMMISSIONING DUTIES AND RESPONSIBILITIES

- A. Contractors Duties and Responsibilities:
 - 1. Assure the participation and cooperation of Subcontractors and Suppliers under their jurisdictions as required to complete the commissioning process.

COMPTON COMMUNITY COLLEGE DISTRICT

2. Complete Commissioning Report Forms. Reports are to be completed in a neat easily readable condition.
3. Complete the respective start-up and check out procedures and insure readiness of equipment and systems prior to the start of the functional performance testing.

Written confirmation of system readiness for performance testing is required.

4. Provide qualified representatives for the functional performance commissioning process.
5. Assure that all subcontractors, suppliers, test and balance, controls, etc. include in there respective contracts cost necessary to participate in and complete the commissioning process.

B. Duties and responsibilities of others for Commissioning:

1. The commissioning process requires the active participation of the Construction Manager, School District, Mechanical Engineer, Electrical Engineer, and any other related Consultants on the project.

1.8 SYSTEM FAILURES

- A. After a second failure of a system to successfully meet the criteria as set for in the functional performance testing process, the contractor shall reimburse the School District for cost associated with any additional retesting required due to uncorrected deficiencies. Costs shall include salary, benefits, overhead, travel costs and per diem lodging costs if applicable.

PART 2 – PRODUCTS - (Not Applicable)

PART 3 – EXECUTION - (Not Applicable)

END OF SECTION