



**Compton Community College District
1111 E. Artesia Blvd.
Compton, CA 90221**

DATE: January 18, 2019
TO: All Bidders
PROJECT: RFQ CCC-054: Drinking Fountain Upgrade
SUBJECT: ADDENDUM #1

The following changes, omissions, and/or additions to the Project Documents shall apply to bids made for and to the execution of the various parts of the work affected thereby, and all other conditions shall remain the same. Careful note of the Addendum shall be taken by all parties of interest so that the proper allowances may be made in strict accordance with the Addendum. Respondent shall acknowledge receipt of this Addendum in the bid documents. Failure to do so may subject Respondent to disqualification.

1. Changes to Contract Documents:

1.1 Scope of Work Section 01 01 00 to be revised as follows:

1.1.1 Section 01 01 00.1.2.A paragraph 1 – delete entire paragraph and replace with the following:

This Contractor is to remove and replace twelve (12) Existing Drinking Fountains (seven (7) dual and five (5) single drinking fountains) and add bottle fillers to three (3) existing dual Drinking Fountains. The list of locations on campus and a campus map indicating locations is attached to this scope of work document. If the existing drinking fountain is a chilled water fountain it is to be replaced with a chilled water fountain per attached Murdock specification sheets. All others are to be replaced with non-chilled water fountains per attached Murdock specification sheets. All new drinking fountains to have filters. Contractor is to include Murdock brand units in their bid. No substitutions will be allowed.

1.1.1 Section 01 01 00.1.2.A paragraph 2 – delete the last line that says “This contractor to also provide and install filter kits”.

1.1.2 Section 01 01 00.1.2.A paragraph 3 – delete this paragraph in its entirety.

1.2 Replace list of Drinking fountains with locations and designations included in original Scope of Work document with the attached revised list. Revised list shows changes in red.

END OF ADDENDUM #1

Attachments:

Revised list of Drinking Fountains – 1 page
Murdock Drinking Fountain Specifications – 9 pages

Compton Community College District
RFQ CCC-054
Drinking Fountain Upgrade
Addendum #1

DF #:	Location:	Working?	R&R with new DF?	Add bottle filler only
1	Administration Bldg	Yes	XS	
2	SSC 2nd Flr by Women's RR	Yes - Hi No - Low	XD	
3	SSC 2nd Flr by Men's RR	No	XD	
4	Math Science 2nd Flr	Yes		BF-D
5	Gym lobby area	Yes - Hi No - Low	XD	
6	Men's Locker Rm	Yes	XS	
7	TV-24 Restroom Bldg	Yes	XD	
8	TV-2 Restroom Bldg	Yes	XD	
9	Women's Locker Rm	Yes	XS	
10	Vo-Tech 2nd Flr	Yes		BF-D
11	CDC South at entry	Yes	XD	
12	CDC North	Yes	XD	
13	Allied Health West	Yes		BF-D
14	Cafeteria Hallway West	No	XS	
15	Cafeteria Hallway East	Yes	XS	

DF Drinking fountain
RR Restroom
R&R Remove and Replace
XS Replace existing with single fountain with bottle filler
XD Replace existing with dual fountain with bottle filler
BF-D Add bottle filler with filter to existing dual fountain

Single Chilled unit with filter



WATER COOLERS

A171.8-VR-BF12 Series

BARRIER FREE, VANDAL RESISTANT BUTTON ONLY, WALL MOUNTED WATER COOLER WITH -BF12 SENSOR OPERATED BOTTLE FILLER

STANDARD FEATURES

Electric Water Cooler

- Child or Adult ADA Compliant (when properly installed)
- 304 Stainless Steel Basin and Chrome Plated Brass Button
- Flexible, Low Flow, Anti-Microbial, Anti-Rotation, Non-Squirt Bubbler
- Auto-stop allows Cartridge and Strainer service without removing Cooler Deck to access Water Supply Stop
- Lead free

Bottle Filler

- ADA Compliant
- 100-Mesh Inlet Strainer
- 120VAC/9.0VDC Plug-In Transformer
- Hands-Free Sensor Operation
- 1 GPM Lamindar Flow
- 20 Second Maximum Run Time

SUGGESTED SPECIFICATIONS

Electric Water Cooler

Model A171108F-VR-BF12 is a self-contained, Vandal Resistant Button pressure Water Cooler that delivers a minimum of 8.0 GPH (30.3 LPH) of water at 50°F (10°C) cooled from 80°F (26.7°C) inlet water and 90°F (32.2°C) ambient. Unit shall be activated by Chrome Plated Brass Pushbutton using less than 5 pounds of force. Lead-Free Flexible Bubbler shall deliver a 0.3 GPM flow, have an integrally designed non-squirt feature and operate on a water pressure range of 20-105 PSIG. Basin shall be constructed from 304 Stainless Steel and have an Integral Drain. Cabinet shall be either Galvanized Steel with Granite Powder Coat or Stainless Steel. Cooling system shall use R-134a refrigerant and be Capillary Tube regulated. An Adjustable Thermostat with an off position shall regulate the refrigeration system. Unit shall be listed by Underwriters Laboratories for both the US and Canada and is compliant to the Air Conditioning and Refrigeration Institute Standard 1010. Unit is certified to ANSI A117.1, Public Law 111-380 (NO-LEAD), CHSC 116875 and NSF/ANSI 61, Section 9. Fixture meets ADA, ADA Standing Person, and ADA Child requirements when mounted appropriately. Unit shall still deliver ambient water temperature to the Bubbler in the absence of electrical power as long as there is a pressurized water supply.

Bottle Filler BF12

Bottle Filling unit shall include Sensor Operated activation with a 20 second maximum run time. LED Lights illuminate the Bottle Fill area and brighten when a bottle is detected. Housing construction will be 20 gage Stainless Steel with a satin finish and will also include components manufactured from Antimicrobial, impact resistant ABS. Optional -BCD (Bottle Counter Display) indicates the quantity of 16 oz disposable Plastic Bottles saved from a land fill and also displays the Water Filter status. Optional -WF1 has a 1500-gallon capacity, has NSF/ANSI 42 & 53 certification and reduces lead content in the drinking water by 99%. Bottle Filler shall provide approximately 1 GPM flow rate with a Laminar Flow Spout to minimize splashing.

Complies with the following standards:



Model A171408F-VR-BF12-BCD Shown
**U.S. PATENT PENDING



"RATED FOR INDOOR AND OUTDOOR USE"

MODEL:

(Must Specify)

FLEXIBLE BUBBLER

- A171108F-VR-BF12 Granite Finish Cooler w/ Satin Stainless Finish Bottle Filler
- A171408F-VR-BF12 Satin Stainless Finish (Shown)

LEAD-FREE STAINLESS STEEL BUBBLER

- A171108S-VR-BF12 Granite Finish Cooler w/ Satin Stainless Finish Bottle Filler
- A171408S-VR-BF12 Satin Stainless Finish

WATER COOLER OPTIONS

(additional costs may be incurred)

- CSC2 Concealed Support Carrier
- LOGO Customer Specified Logo / Graphics
- WF1 1500-gallon capacity, NSF 42+53, 1 micron Lead Reduction Filter
- 220V 220 volt / 50 Hz compressor

BOTTLE FILLER OPTIONS

(additional costs may be incurred)

- BCD Bottle Counter Display



Member of U.S. Green Building Council



Recyclable Product



Water Conserving Product

Please visit www.murdockmfg.com for most current specifications.

MURDOCK MFG. • 15125 Proctor Avenue • City of Industry, CA 91746 USA
Phone 800-453-7465 or 626-333-2543 • Fax 626-855-4860 • www.murdockmfg.com

Member of MORRIS GROUP INTERNATIONAL

A171.8-VR-BF12

New: 10/23/17

Compton Community College District
RFQ CCC-054 Drinking Fountain Upgrade

Addendum #1
Page 4



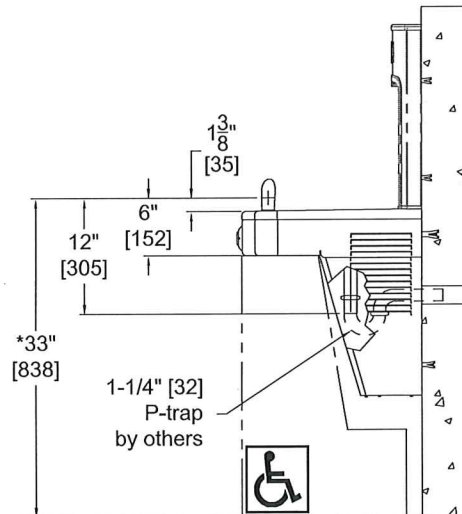
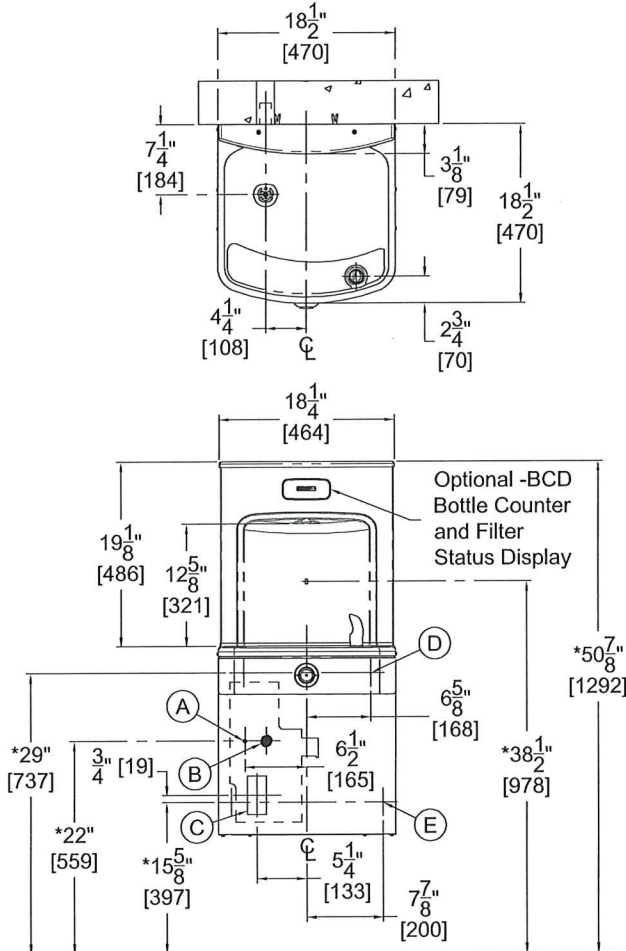
SINCE 1853

WATER COOLERS

All dimensions are subject to manufactures tolerance of plus or minus 1/2" nominal and subject to change without notice. Murdock Mfg. assumes no responsibility for use of void or superseded data. Dimensions may change with the addition of optional accessories. Murdock Mfg.™, Member of Morris Group International™. Please visit www.Murdockmfg.com for most current specifications.

A171.8-VR-BF12 Series

BARRIER FREE, VANDAL RESISTANT BUTTON ONLY WALL MOUNTED WATER COOLER WITH -BF12 SENSOR OPERATED BOTTLE FILLER



General Notes:

1. All dimensions are in inches [MM]
2. Allow 4 inches [102MM] minimum clearance per side for ventilation
- *3. Dimensions shown are for ADA adult height. Adjust vertical dimensions as necessary to comply with Federal, State & Local Codes
4. Stop Valve, P-Trap & Electrical Outlet not supplied
5. Important: Coolers must be attached to wall with appropriate Anchor Screws

- A. 3/8" O.D. Supply Inlet
- B. Waste Outlet for 1-1/4" P-Trap, by others
- C. Electrical Service Rough
- D. Ø3/8" Hanger Bracket Punching, 3 places for Anchoring Hardware by others
- E. Ø1/4" Punching, 2 places for Anchoring Hardware, by others

Murdock Mfg.™ warrants that its products are free from defects in material or workmanship under normal use and service for a period of one year from date of shipment. Murdock's liability under this warranty shall be discharged solely by replacement or repair of defective material, provided Murdock™ is notified in writing within one year from date of shipment, F.O.B. Industry, California.

SELECTION SUMMARY & APPROVAL FOR MANUFACTURING	Model Number & Options _____	Quantity _____	All dimensions are subject to manufactures tolerance of plus or minus 1/2" nominal and subject to change without notice. Murdock assumes no responsibility for use of void or superseded data. Dimensions may change with the addition of optional accessories. Murdock Mfg.™, Member of Morris Group International™. Please visit www.murdockmfg.com for most current specifications.
	Company _____		
	Contact _____	Title _____	
	Signature (Approval for Manufacturing) _____	Date _____	

MURDOCK MFG. • 15125 Proctor Avenue • City of Industry, CA 91746 USA
 Phone 800-453-7465 or 626-333-2543 • Fax 626-855-4860 • www.murdockmfg.com

Member of
 MORRIS GROUP
 INTERNATIONAL

A171.8-VR-BF12

New: 10/23/17

Compton Community College District
 RFQ CCC-054 Drinking Fountain Upgrade

Addendum #1
 Page 5

Bi-Level Chilled unit with filter



WATER COOLERS

A172.8-VR-BF12 Series

BARRIER FREE, VANDAL RESISTANT BUTTON ONLY, UNIVERSAL BI-LEVEL, WALL MOUNTED WATER COOLER WITH -BF12 SENSOR OPERATED BOTTLE FILLER

STANDARD FEATURES

Electric Water Cooler

- Child or Adult ADA Compliant (when properly installed)
- Universal Bi-Level - Can be installed left unit high, right unit low or opposite with no additional parts required.
- 304 Stainless Steel Basin and Flush Mounted Chrome Plated Brass Button
- Polished Stainless Steel, Anti-Rotation, Non-Squirt Bubblers
- Auto-stop allows Cartridge and Strainer service without removing Cooler Deck to access Water Supply Stop
- Lead free

Bottle Filler

- ADA Compliant
- 100-Mesh Inlet Strainer
- 120VAC/9.0VDC Plug-In Transformer
- Hands-Free Sensor Operation
- 1 GPM Lamindar Flow
- 20 Second Maximum Run Time

SUGGESTED SPECIFICATIONS

Electric Water Cooler

Model A172108S-UBL-VR-BF12 is a self-contained, Vandal Resistant Button pressure Water Cooler that delivers a minimum of 8.0 GPH (30.3 LPH) of water at 50°F (10°C) cooled from 80°F (26.7°C) inlet water and 90°F (32.2°C) ambient. Units shall be activated by Chrome Plated Brass Front Pushbuttons by using less than 5 pounds of force. Lead-Free Bubbler shall deliver a 0.3 GPM flow, have an integrally designed non-squirt feature and operate on a water pressure range of 20-105 PSIG. Basin shall be constructed from 304 Stainless Steel and have an Integral Drain. Cabinet shall be either Galvanized Steel with Granite Powder Coat or Stainless Steel. Cooling system shall use R-134a refrigerant and be Capillary Tube regulated. An Adjustable Thermostat with an "off" position shall regulate the refrigeration system. Unit shall be listed by Underwriters Laboratories for both the US and Canada and is compliant to the Air Conditioning and Refrigeration Institute Standard 1010. Unit is certified to ANSI A117.1, Public Law 111-380 (NO-LEAD), CHSC 116875 and NSF/ANSI 61, Section 9. Fixture meets ADA, ADA Standing Person, and ADA Child requirements when mounted appropriately. Unit shall still deliver ambient water temperature to the Bubbler in the absence of electrical power as long as there is a pressurized water supply.

Bottle Filler BF12

Bottle Filling unit shall include Sensor Operated activation with a 20 second maximum run time. LED Lights illuminate the Bottle Fill area and brighten when a bottle is detected. Housing construction will be 20 gage Stainless Steel with a satin finish and will also include components manufactured from Antimicrobial, impact resistant ABS. Optional -BCD (Bottle Counter Display) indicates the quantity of 16 oz disposable Plastic Bottles saved from a land fill and also displays the Water Filter status. Optional -WF1 has a 1500-gallon capacity, has NSF/ANSI 42 & 53 certification and reduces lead content in the drinking water by 99%. Bottle Filler shall provide approximately 1 GPM flow rate with a Laminar Flow Spout to minimize splashing.

Please visit www.murdockmfg.com for most current specifications.



Model A172108S-VR-BF12-BCD Shown
**U.S. PATENT PENDING

"RATED FOR INDOOR AND OUTDOOR USE"

MODEL:

(Must Specify)

FLEXIBLE BUBBLER

- A172108F-VR-BF12 Granite Finish Cooler w/ Satin Stainless Finish Bottle Filler
- A172408F-VR-BF12 Satin Stainless Finish (Shown)

LEAD-FREE STAINLESS STEEL BUBBLER

- A172108S-VR-BF12 Granite Finish Cooler w/ Satin Stainless Finish Bottle Filler
- A172408S-VR-BF12 Satin Stainless Finish

WATER COOLER OPTIONS

(additional costs may be incurred)

- CSC3 Concealed Support Carrier
- LOGO Customer Specified Logo / Graphics
- WF1 1500-gallon capacity, NSF 42+53, 1 micron Lead Reduction Filter
- 220V 220 volt / 50 Hz compressor

BOTTLE FILLER OPTIONS

(additional costs may be incurred)

- BCD Bottle Counter Display



Member of
U.S. Green
Building
Council



Recyclable
Product



Water
Conserving
Product

Complies with the following standards:



MURDOCK MFG. • 15125 Proctor Avenue • City of Industry, CA 91746 USA
Phone 800-453-7465 or 626-333-2543 • Fax 626-855-4860 • www.murdockmfg.com

Member of
MORRIS GROUP
INTERNATIONAL

A172.8-VR-BF12

New: 12/14/17

Compton Community College District
RFQ CCC-054 Drinking Fountain Upgrade

Addendum #1
Page 7

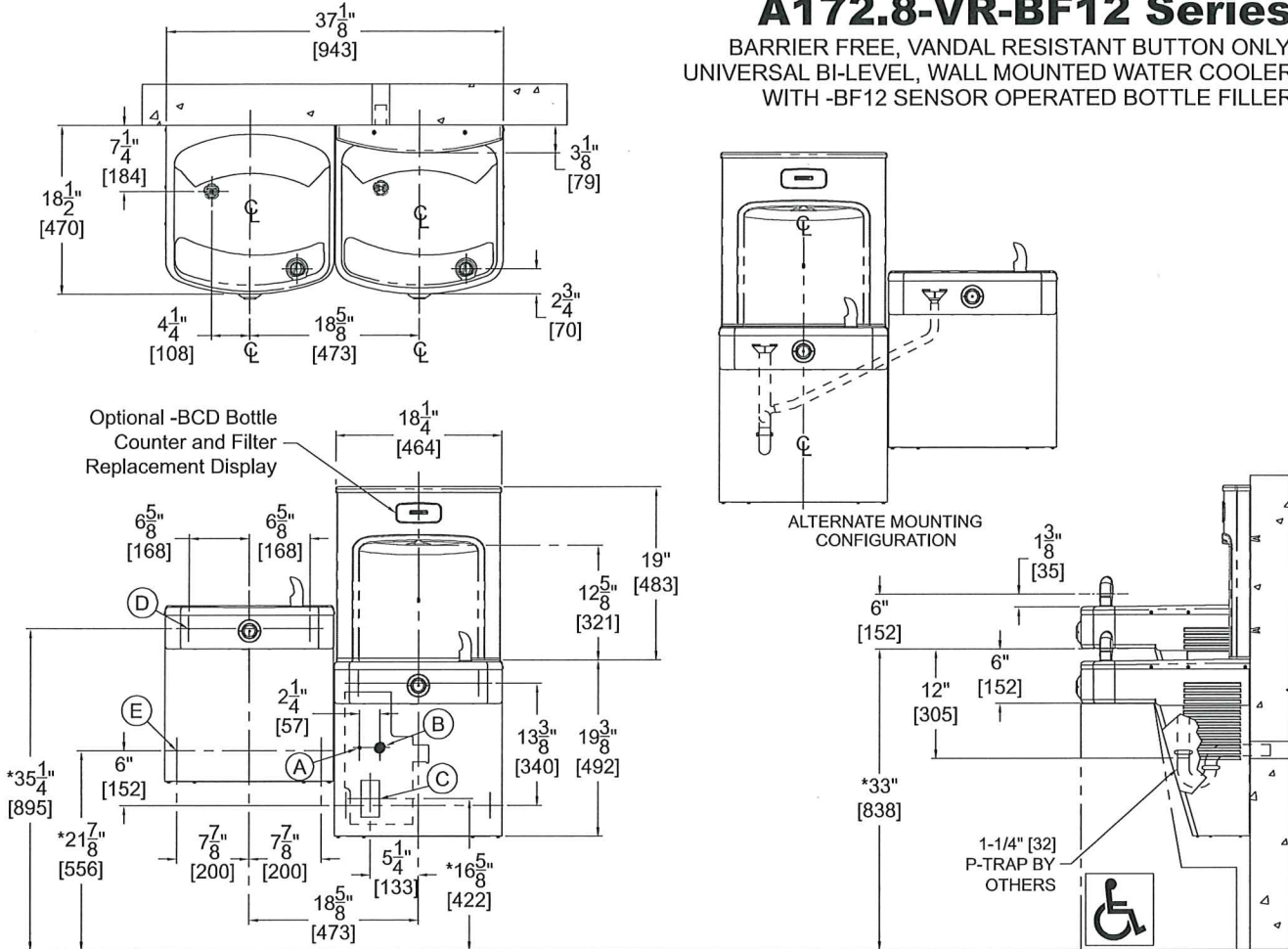


WATER COOLERS

All dimensions are subject to manufactures tolerance of plus or minus 1/2" nominal and subject to change without notice. Murdock Mfg. assumes no responsibility for use of void or superseded data. Dimensions may change with the addition of optional accessories. Murdock Mfg.™, Member of Morris Group International™. Please visit www.Murdockmfg.com for most current specifications.

A172.8-VR-BF12 Series

BARRIER FREE, VANDAL RESISTANT BUTTON ONLY, UNIVERSAL BI-LEVEL, WALL MOUNTED WATER COOLER WITH -BF12 SENSOR OPERATED BOTTLE FILLER



General Notes:

1. All dimensions are in inches [MM]
2. Allow 4 inches [102MM] minimum clearance per side for ventilation
- *3. Dimensions shown are for ADA adult height. Adjust vertical dimensions as necessary to comply with Federal, State & Local Codes
4. Stop Valve, P-Trap & Electrical Outlet not supplied
5. Important: Coolers must be attached to wall with appropriate Anchor Screws

- A. 3/8" O.D. Supply Inlet
- B. Waste Outlet for 1-1/4" P-Trap, by others
- C. Electrical Service Rough
- D. Ø3/8" Hanger Bracket Punching, 3 places for Anchoring Hardware by others
- E. Ø1/4" Punching, 2 places for Anchoring Hardware, by others

Murdock Mfg.™ warrants that its products are free from defects in material or workmanship under normal use and service for a period of one year from date of shipment. Murdock's liability under this warranty shall be discharged solely by replacement or repair of defective material, provided Murdock™ is notified in writing within one year from date of shipment, F.O.B. Industry, California.

SELECTION SUMMARY & APPROVAL FOR MANUFACTURING	Model Number & Options _____	Quantity _____	All dimensions are subject to manufactures tolerance of plus or minus 1/2" nominal and subject to change without notice. Murdock assumes no responsibility for use of void or superseded data. Dimensions may change with the addition of optional accessories. Murdock Mfg.™, Member of Morris Group International™. Please visit www.murdockmfg.com for most current specifications.
	Company _____		
	Contact _____	Title _____	
	Signature (Approval for Manufacturing) _____	Date _____	

MURDOCK MFG. • 15125 Proctor Avenue • City of Industry, CA 91746 USA
 Phone 800-453-7465 or 626-333-2543 • Fax 626-855-4860 • www.murdockmfg.com



A172.8-VR-BF12

New: 12/14/17

Compton Community College District
 RFQ CCC-054 Drinking Fountain Upgrade

Addendum #1
 Page 8

**Bi-Level
Non-Chilled
unit with filter**



DRINKING FOUNTAIN/BOTTLE FILLER

A172VR-BF12 Series

BARRIER FREE, VANDAL RESISTANT BUTTON ONLY, UNIVERSAL BI-LEVEL, WALL MOUNTED DRINKING FOUNTAIN WITH -BF12 SENSOR OPERATED BOTTLE FILLER

STANDARD FEATURES

Drinking Fountain

- Child or Adult ADA Compliant (when properly installed)
- Universal Bi-Level -Can be installed left unit high, right unit low or opposite with no additional parts required.
- 304 Stainless Steel Basin and Flush Mounted Chrome Plated Brass Button
- Polished Stainless Steel, Anti-Rotation, Non-Squirt Bubblers
- Auto-stop allows Cartridge and Strainer service without removing Drinking Fountain to access Water Supply Stop
- Lead free

Bottle Filler

- ADA Compliant
- 100-Mesh Inlet Strainer
- 120VAC/9.0VDC Plug-In Transformer
- Hands-Free Sensor Operation
- 1 GPM Lamindar Flow
- 20 Second Maximum Run Time

SUGGESTED SPECIFICATIONS

Drinking Fountain

Model A172100F-UBL-VR-BF12 is a self-contained, Vandal Resistant Button pressure Drinking Fountain. Units shall be activated by Chrome Plated Brass Front Pushbuttons by using less than 5 pounds of force. Lead-Free Bubbler shall deliver a 0.3 GPM flow, have an integrally designed non-squirt feature and operate on a water pressure range of 20-105 PSIG. Basin shall be constructed from 304 Stainless Steel and have an Integral Drain. Cabinet shall be either Galvanized Steel with Granite Powder Coat or Stainless Steel. Unit is certified to ANSI A117.1, Public Law 111-380 (NO-LEAD), CHSC 116875 and NSF/ANSI 61, Section 9. Fixture meets ADA, ADA Standing Person, and ADA Child requirements when mounted appropriately.

Bottle Filler BF12

Bottle Filling unit shall include Sensor Operated activation with a 20 second maximum run time. LED Lights illuminate the Bottle Fill area and brighten when a bottle is detected. Housing construction will be 20 gage Stainless Steel with a satin finish and will also include components manufactured from Antimicrobial, impact resistant ABS. Bottle Filler shall provide approximately 1 GPM flow rate with a Laminar Flow Spout to minimize splashing. Optional -BCD (Bottle Counter Display) indicates the quantity of 16 oz disposable Plastic Bottles saved from a land fill and also displays the Water Filter status. Optional -WF1 has a 1500-gallon capacity, has NSF/ANSI 42 & 53 certification and reduces lead content in the drinking water by 99%.

Complies with the following standards:



Model A172100S-VRB-BF12-BCD Shown
PATENT# 10,100,933



Maintenance Advantage®
Water Cooler by Murdock Manufacturing

"RATED FOR INDOOR AND OUTDOOR USE"

MODEL:

(Must Specify)

FLEXIBLE BUBBLER

- A172100F-UBL-VR-BF12 Granite Finish Cooler w/ Satin Stainless Finish Bottle Filler
- A172400F-UBL-VR-BF12 Satin Stainless Finish (Shown)

LEAD-FREE STAINLESS STEEL BUBBLER

- A172100S-UBL-VR-BF12 Granite Finish Cooler w/ Satin Stainless Finish Bottle Filler
- A172400S-UBL-VR-BF12 Satin Stainless Finish

DRINKING FOUNTAIN OPTIONS

(additional costs may be incurred)

- CSC3 Concealed Support Carrier
- LOGO Customer Specified Logo / Graphics
- SK5 Skirt Kit for Upper Unit
- WF1 1500-Gallon Capacity, NSF 42+53, 1 Micron Lead Reduction Filter

BOTTLE FILLER OPTION

(additional costs may be incurred)

- BCD Bottle Counter Display



Member of
U.S. Green
Building
Council



Recyclable
Product



Water
Conserving
Product

WARNING: Cancer and Reproductive Harm - www.P65Warnings.ca.gov

MURDOCK MFG. • 15125 Proctor Avenue • City of Industry, CA 91746 USA
Phone 800-453-7465 or 626-333-2543 • Fax 626-855-4860 • www.murdockmfg.com

Member of
MORRIS GROUP
INTERNATIONAL

A172VR-BF12

Updated: 12/04/18

Compton Community College District
RFQ CCC-054 Drinking Fountain Upgrade

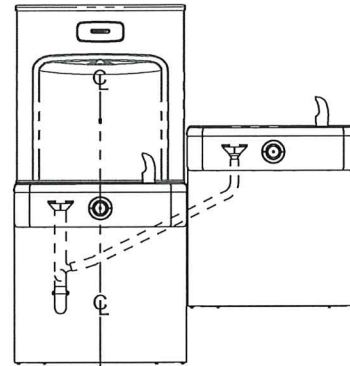
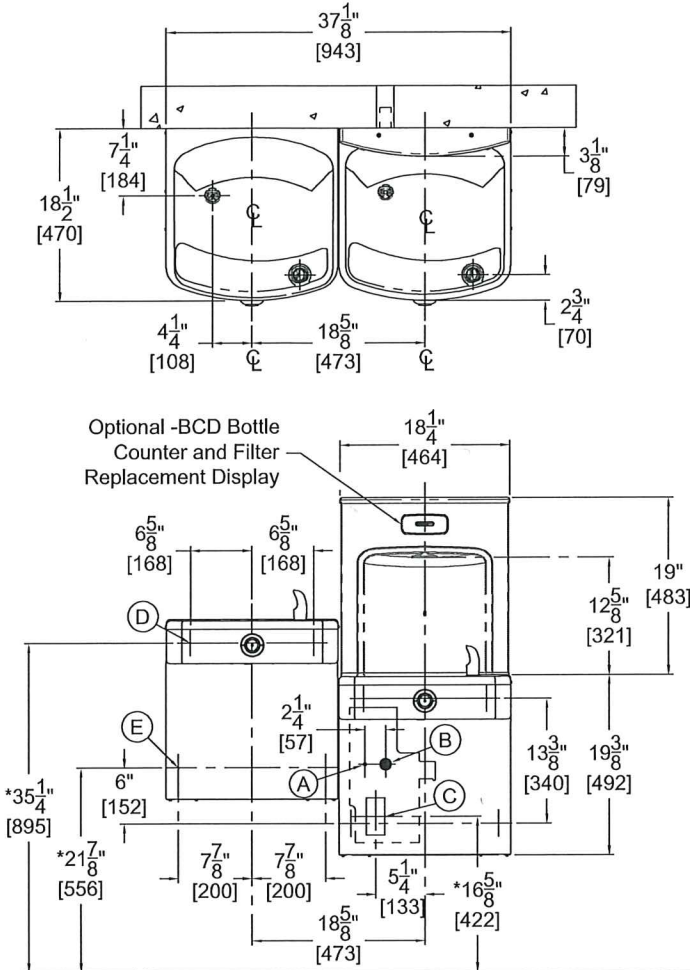
Addendum #1
Page 10



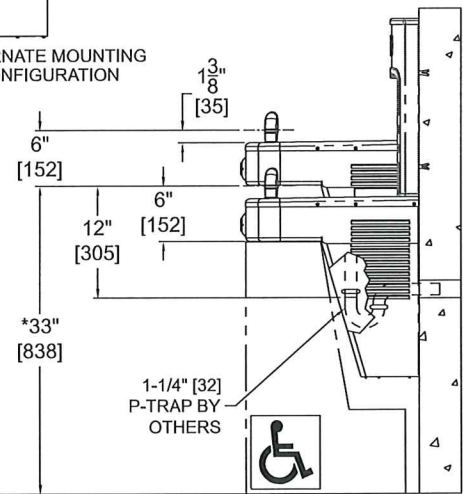
DRINKING FOUNTAIN/BOTTLE FILLER

A172VR-BF12 Series

BARRIER FREE, VANDAL RESISTANT BUTTON ONLY,
UNIVERSAL BI-LEVEL, WALL MOUNTED DRINKING
FOUNTAIN WITH -BF12 SENSOR OPERATED
BOTTLE FILLER



ALTERNATE MOUNTING CONFIGURATION



General Notes:

1. All dimensions are in inches [MM]
2. Allow 4 inches [102MM] minimum clearance per side for ventilation
- *3. Dimensions shown are for ADA adult height. Adjust vertical dimensions as necessary to comply with Federal, State & Local Codes
4. Stop Valve, P-Trap & Electrical Outlet not supplies
5. Important: Fixture must be attached to wall with appropriate Anchor Screws

- A. 3/8" O.D. Supply Inlet
- B. Waste Outlet for 1-1/4" P-Trap, by others
- C. Electrical Service Rough
- D. Ø3/8" Hanger Bracket Punching, 3 places for Anchoring Hardware by others
- E. Ø1/4" Punching, 2 places for Anchoring Hardware, by others

Murdock Mfg.™ warrants that its products are free from defects in material or workmanship under normal use and service for a period of one year from date of shipment. Murdock's liability under this warranty shall be discharged solely by replacement or repair of defective material, provided Murdock™ is notified in writing within one year from date of shipment, F.O.B. Industry, California.

SELECTION SUMMARY & APPROVAL FOR MANUFACTURING	Model Number & Options _____	Quantity _____	All dimensions are subject to manufactures tolerance of plus or minus 1/8" nominal and subject to change without notice. Murdock assumes no responsibility for use of void or superseded data. Dimensions may change with the addition of optional accessories. Murdock Mfg.™, Member of Morris Group International™. Please visit www.murdockmfg.com for most current specifications.
	Company _____		
	Contact _____	Title _____	
	Signature (Approval for Manufacturing) _____	Date _____	

MURDOCK MFG. • 15125 Proctor Avenue • City of Industry, CA 91746 USA
Phone 800-453-7465 or 626-333-2543 • Fax 626-855-4860 • www.murdockmfg.com

Member of
MORRIS GROUP
INTERNATIONAL

A172VR-BF12

Updated: 12/04/18